



T&S BRASS AND BRONZE WORKS, INC.

2 Saddleback Cove / P.O. Box 1088
Travelers Rest, SC 29690

Model No.

B-2701-VR

Item No.

Travelers Rest, SC: 800-476-4103 • Simi Valley, CA: 800-423-0150 • Fax: 864-834-3518 • www.tsbrass.com



ADA Compliant

This Space for Architect/Engineer Approval

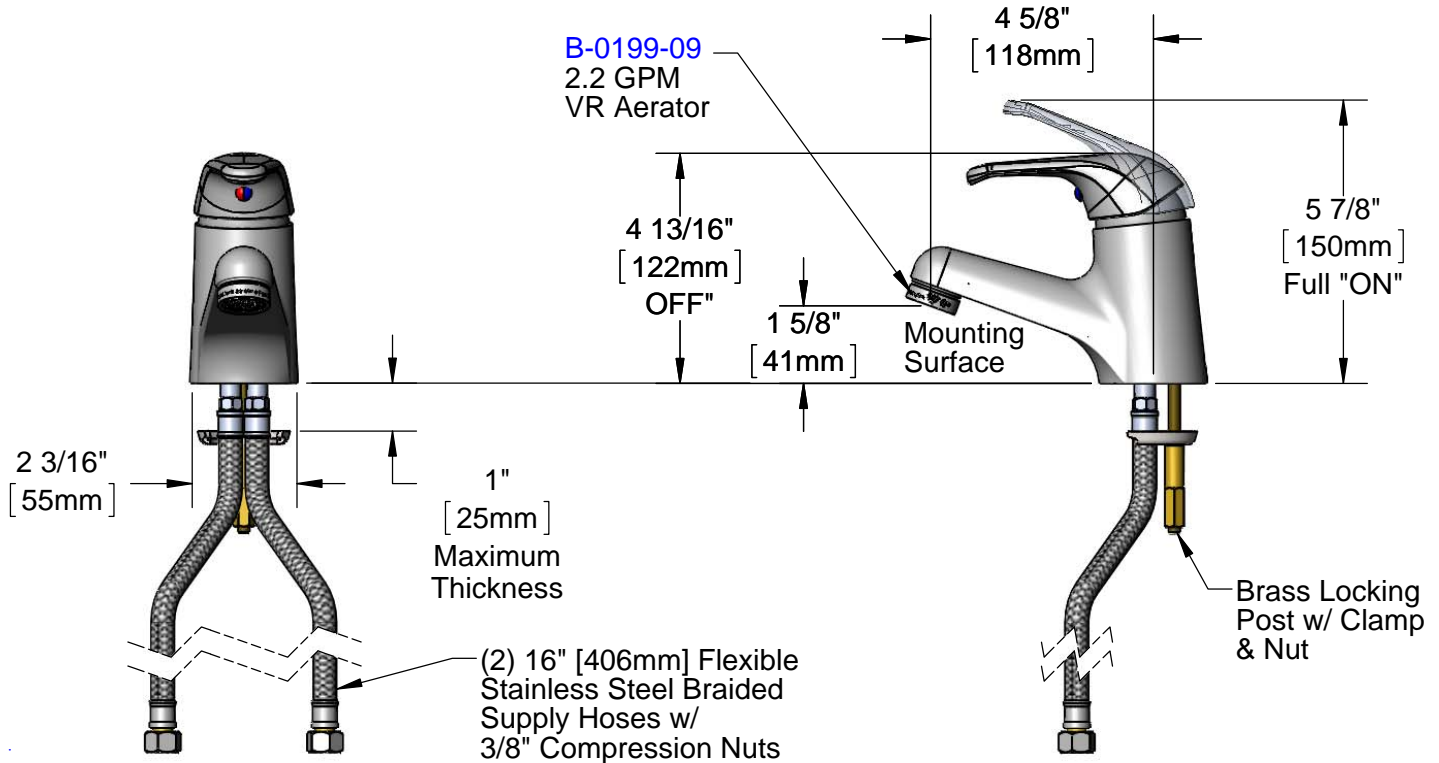
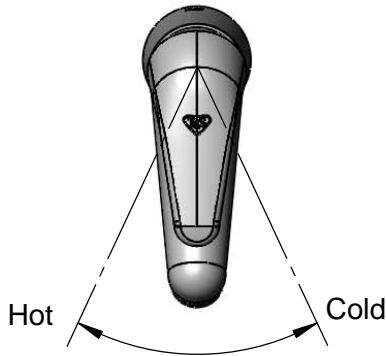
Job Name _____ Date _____

Model Specified _____ Quantity _____

Customer/Wholesaler _____

Contractor _____

Architect/Engineer _____



Rough-in Requirement:
Ø 1 1/2" [38mm] Mounting Hole

Product Specifications:
Single Hole Single Lever Deck Mount Faucet, Ceramic Cartridge, Temperature Limit Stop, 2.2 GPM VR Aerator & 16" Flexible Stainless Steel Braided Supply Hoses

Product Compliance:
ASME A112.18.1 / CSA B125.1
NSF 61 - Section 9
NSF 372 (Low Lead Content)
ANSI A117.1 (ADA)

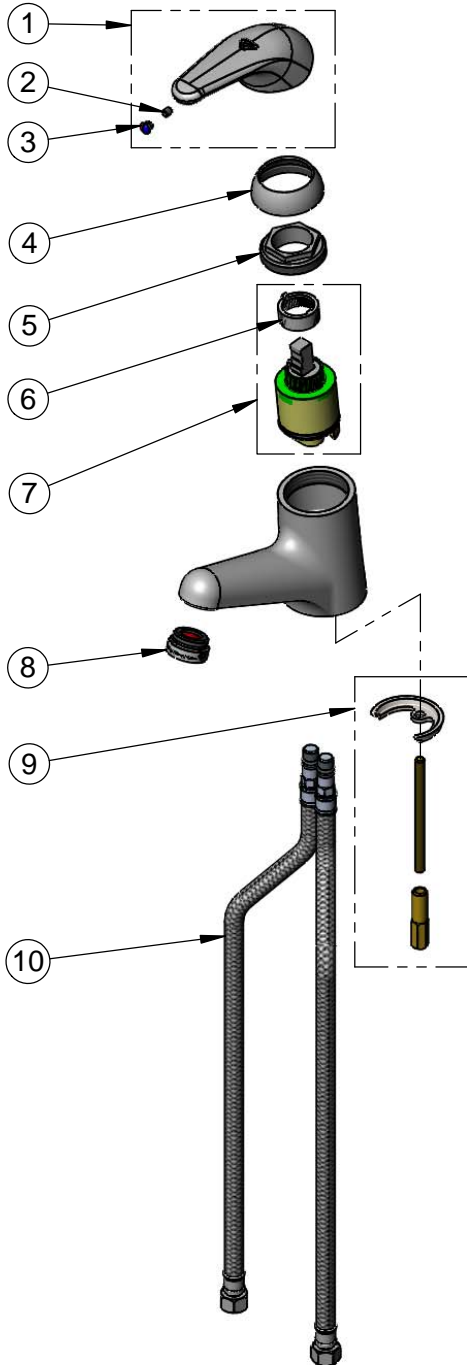


T&S BRASS AND BRONZE WORKS, INC.
 2 Saddleback Cove / P.O. Box 1088
 Travelers Rest, SC 29690

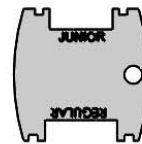
Model No.
B-2701-VR

Item No.

Travelers Rest, SC: 800-476-4103 • Simi Valley, CA: 800-423-0150 • Fax: 864-834-3518 • www.tsbrass.com



ITEM NO.	SALES NO.	DESCRIPTION
1	013113-45	Single Lever Handle
2	016675-45	Set Screw
3	014173-45	Temperature Index
4	016661-45	Trim Ring
5	016663-45	Locking Nut
6	015400-45	Temperature Limit Stop
7	013111-45	Ceramic Cartridge w/ Temperature Limit Stop
8	B-0199-09	VR 2.2 GPM Aerator, 15/16-27 Male w/ Key
9	019116-45	Mounting Hardware Kit
10	016879-45	(2) 16" Flexible Stainless Steel Braided Supply Hoses w/ 3/8" Compression Nuts



015425-45
 Vandal Resistant Key

Product Specifications:
 Single Hole Single Lever Deck Mount Faucet, Ceramic Cartridge, Temperature Limit Stop, 2.2 GPM VR Aerator & 16" Flexible Stainless Steel Braided Supply Hoses

Product Compliance:
 ASME A112.18.1 / CSA B125.1
 NSF 61 - Section 9
 NSF 372 (Low Lead Content)
 ANSI A117.1 (ADA)