



# T&S BRASS AND BRONZE WORKS, INC.

2 Saddleback Cove / P.O. Box 1088  
Travelers Rest, SC 29690

Model No.

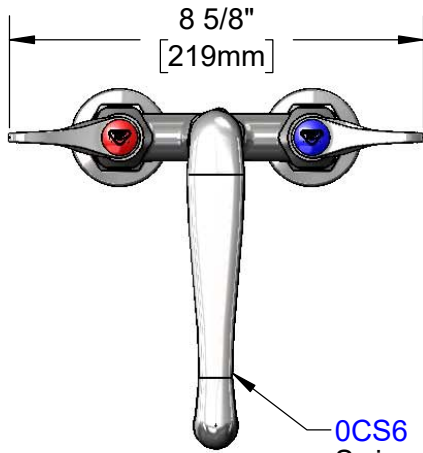
**B-2501-CR**

Item No.

Travelers Rest, SC: 800-476-4103 • Simi Valley, CA: 800-423-0150 • Fax: 864-834-3518 • www.tsbrass.com



**ADA Compliant**



**OCS6**  
Swing Spout w/  
2.2 GPM Aerator.  
Converts to Rigid w/  
**014200-45**  
Lock Washer (Included)



This Space for Architect/Engineer Approval

Job Name \_\_\_\_\_ Date \_\_\_\_\_

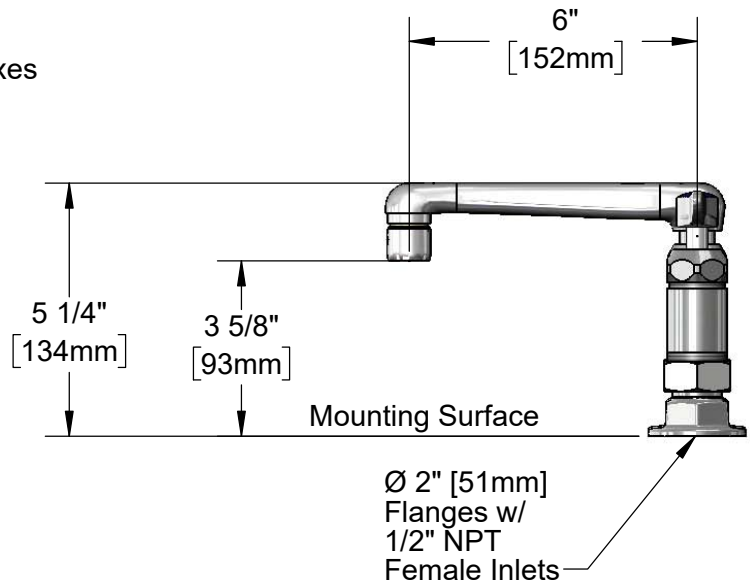
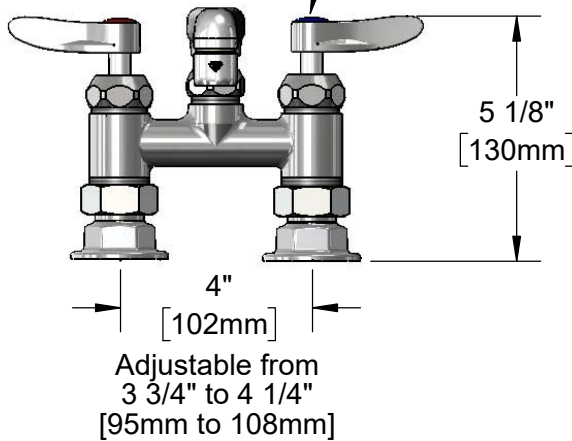
Model Specified \_\_\_\_\_ Quantity \_\_\_\_\_

Customer/Wholesaler \_\_\_\_\_

Contractor \_\_\_\_\_

Architect/Engineer \_\_\_\_\_

Quarter-Turn  
Cerama Cartridges w/  
Check Valves &  
Lever Handles w/  
Color Coded Indexes



**Product Specifications:**

4" Deck Mount Mixing Faucet, Quarter-Turn Cerama Cartridges w/ Check Valves, Lever Handles, 6" Cast Spout w/ 2.2 GPM Aerator & 1/2" NPT Female Inlets

**Product Compliance:**

ASME A112.18.1 / CSA B125.1  
NSF 61 - Section 9  
NSF 372 (Low Lead Content)  
ANSI A117.1 (ADA)



# T&S BRASS AND BRONZE WORKS, INC.

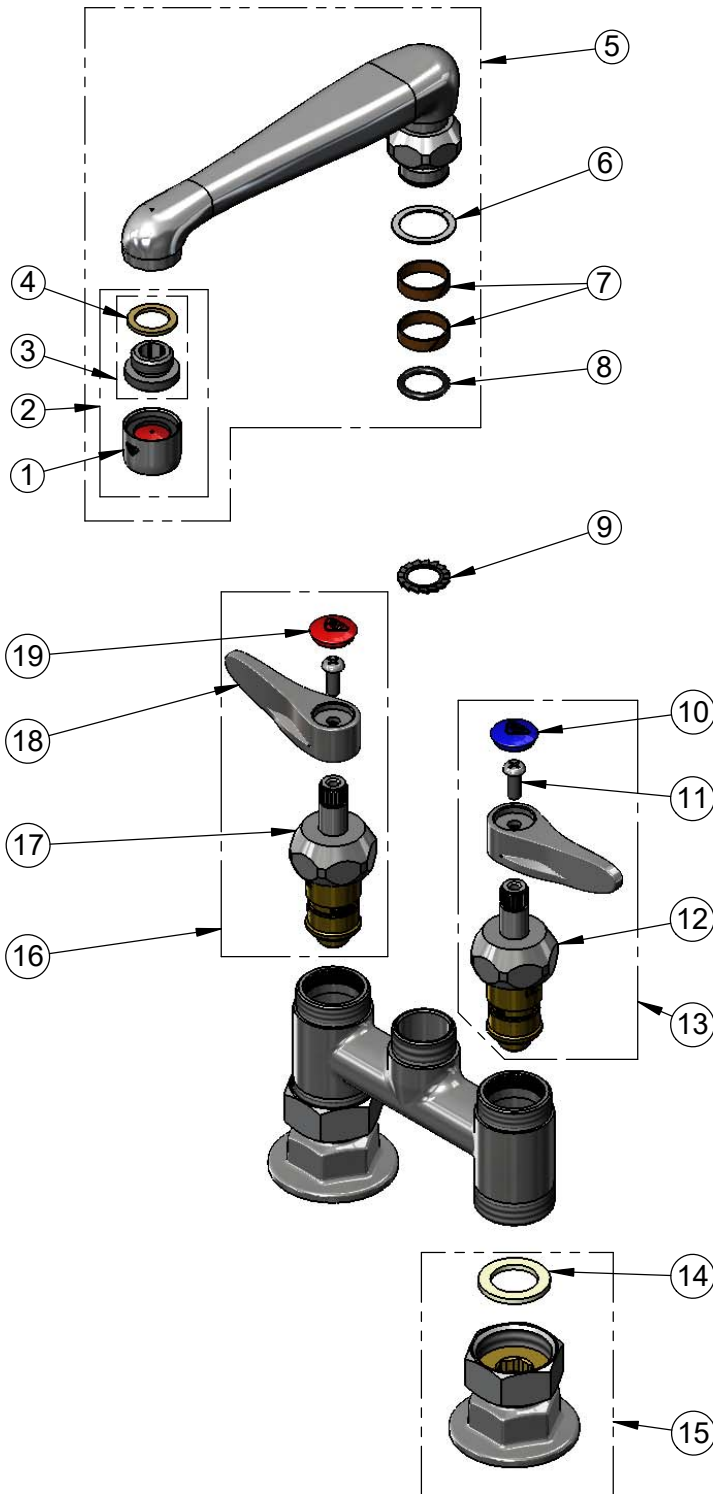
2 Saddleback Cove / P.O. Box 1088  
Travelers Rest, SC 29690

Model No.

**B-2501-CR**

Item No.

Travelers Rest, SC: 800-476-4103 • Simi Valley, CA: 800-423-0150 • Fax: 864-834-3518 • www.tsbrass.com



ITEM NO.	SALES NO.	DESCRIPTION
1	B-0199-01	2.2 GPM Aerator, 55/64"-27 UN Female
2	B-0199-02	2.2 GPM Aerator, 3/8" NPSM Male
3	044A	3/8" to Aerator Adapter
4	001043-45	Washer
5	OCS6	6" Cast Spout
6	009538-45	Swivel Washer
7	011429-45	Swivel Sleeves (2)
8	001074-45	O-Ring
9	014200-45	Star Washer, Anti-Rotation
10	018506-19NS	Blue Button Index, Press-in
11	000925-45	Lab Handle Screw
12	012395-25NS	Quarter-Turn Cerama Cartridge w/ Check Valve, LTC
13	012447-25NS	Quarter-Turn Cerama Cartridge w/ Check Valve, Handle, Blue Index & Screw, LTC
14	001019-45	Coupling Nut Washer
15	00AA	1/2" NPT Female Eccentric Flange
16	012446-25NS	Quarter-Turn Cerama Cartridge w/ Check Valve, Handle, Red Index & Screw, RTC
17	012394-25NS	Quarter-Turn Cerama Cartridge w/ Check Valve, RTC
18	001638-45NS	Lever Handle (New Style)
19	001193-19NS	Red Button Index, Press-in

**Product Specifications:**

4" Deck Mount Mixing Faucet, Quarter-Turn Cerama Cartridges w/ Check Valves, Lever Handles, 6" Cast Spout w/ 2.2 GPM Aerator & 1/2" NPT Female Inlets

**Product Compliance:**

ASME A112.18.1 / CSA B125.1  
NSF 61 - Section 9  
NSF 372 (Low Lead Content)  
ANSI A117.1 (ADA)