



# T&S BRASS AND BRONZE WORKS, INC.

2 Saddleback Cove / P.O. Box 1088  
Travelers Rest, SC 29690

Model No.

**B-2489**

Item No.

Travelers Rest, SC: 800-476-4103 • Simi Valley, CA: 800-423-0150 • Fax: 864-834-3518 • www.tsbrass.com



**ADA Compliant**

This Space for Architect/Engineer Approval

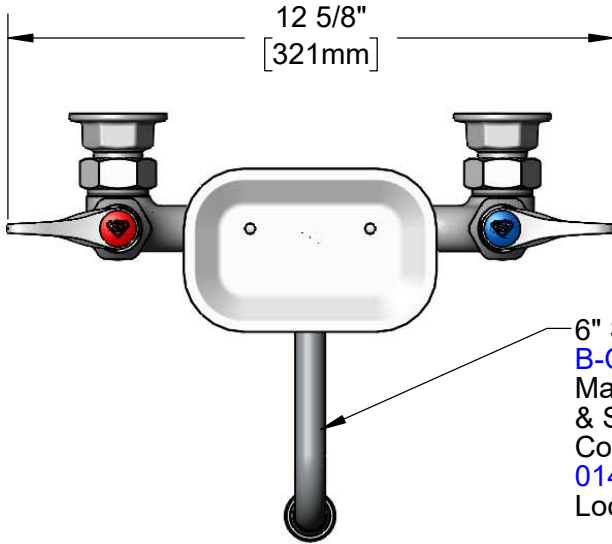
Job Name \_\_\_\_\_ Date \_\_\_\_\_

Model Specified \_\_\_\_\_ Quantity \_\_\_\_\_

Customer/Wholesaler \_\_\_\_\_

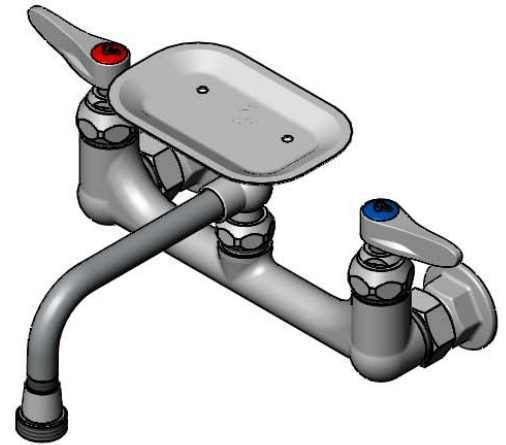
Contractor \_\_\_\_\_

Architect/Engineer \_\_\_\_\_

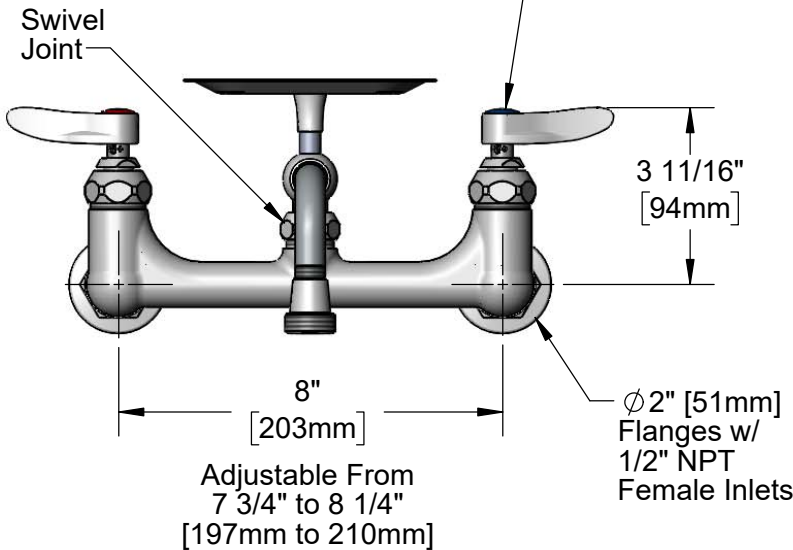


12 5/8"  
[321mm]

6" Swivel/Rigid Nozzle w/  
B-GH Garden Hose  
Male Outlet  
& Soap Dish.  
Converts to Rigid w/  
014200-45  
Lock Washer (Included).



Quarter-Turn  
Eterna Cartridges  
w/ Spring Checks &  
Lever Handles w/  
Color Coded Indexes



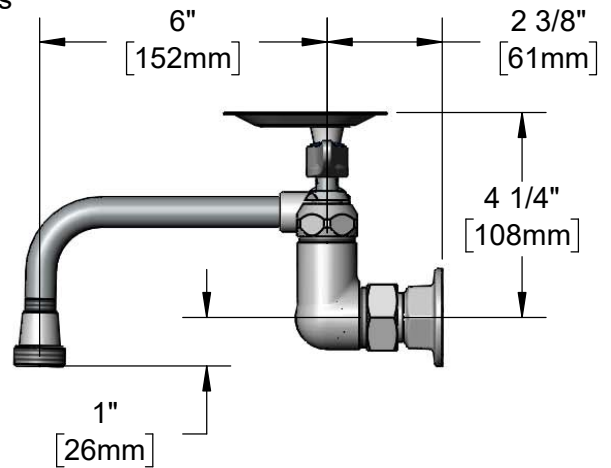
Swivel  
Joint

3 11/16"  
[94mm]

8"  
[203mm]

Adjustable From  
7 3/4" to 8 1/4"  
[197mm to 210mm]

Ø2" [51mm]  
Flanges w/  
1/2" NPT  
Female Inlets



6"  
[152mm]

2 3/8"  
[61mm]

4 1/4"  
[108mm]

1"  
[26mm]

**Product Specifications:**

8" Wall Mount Mixing Faucet, Quarter-Turn Eterna Cartridges w/ Spring Checks, 6" Swivel/Rigid Nozzle w/ Garden Hose Male Outlet, Soap Dish, Lever Handles & 1/2" NPT Female Inlets

**Product Compliance:**

ASME A112.18.1 / CSA B125.1  
NSF 61 - Section 9  
NSF 372 (Low Lead Content)  
ANSI A117.1 (ADA)



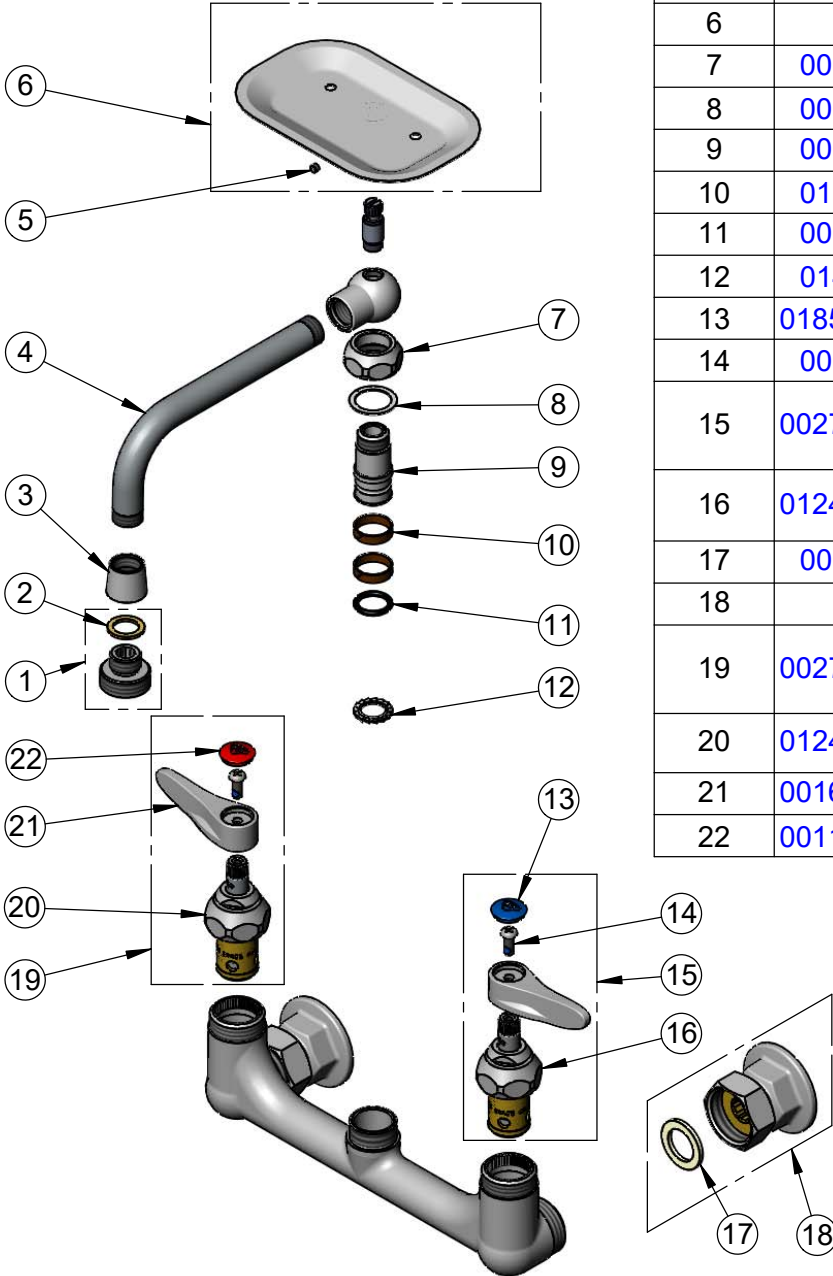
**T&S BRASS AND BRONZE WORKS, INC.**  
 2 Saddleback Cove / P.O. Box 1088  
 Travelers Rest, SC 29690

Model No.  
**B-2489**

Item No.

Travelers Rest, SC: 800-476-4103 • Simi Valley, CA: 800-423-0150 • Fax: 864-834-3518 • www.tsbrass.com

ITEM NO.	SALES NO.	DESCRIPTION
1	B-GH	Garden Hose Outlet Adapter
2	001043-45	Washer
3	020205-40	Adapter, 5/8-27 UN x 3/8-18 NPSM
4	000285-40	6" Polish Chrome Nozzle
5	000939-45	Escutcheon, Set Screw
6	B-SD	Soap Dish w/ Set Screw
7	000711-40	Swivel Adapter Nut
8	009538-45	Swivel Washer
9	000843-25	Swivel Body
10	011429-45	Swivel Sleeves (2)
11	001074-45	O-Ring
12	014200-45	Star Washer, Anti-Rotation
13	018506-19NS	Blue Button Index, Press-in
14	000925-45	Lab Handle Screw
15	002711-40NS	Quarter-Turn Eterna Cartridge w/ Spring Check, Handle, Blue Index & Screw, LTC
16	012442-40NS	Quarter-Turn Eterna Cartridge w/ Spring Check, LTC
17	001019-45	Coupling Nut Washer
18	00AA	1/2" NPT Female Eccentric Flange
19	002712-40NS	Quarter-Turn Eterna Cartridge w/ Spring Check, Handle, Red Index & Screw, RTC
20	012443-40NS	Quarter-Turn Eterna Cartridge w/ Spring Check, RTC
21	001638-45NS	Lever Handle (New Style)
22	001193-19NS	Red Button Index, Press-in



**Product Specifications:**  
 8" Wall Mount Mixing Faucet, Quarter-Turn Eterna Cartridges w/ Spring Checks, 6" Swivel/Rigid Nozzle w/ Garden Hose Male Outlet, Soap Dish, Lever Handles & 1/2" NPT Female Inlets

**Product Compliance:**  
 ASME A112.18.1 / CSA B125.1  
 NSF 61 - Section 9  
 NSF 372 (Low Lead Content)  
 ANSI A117.1 (ADA)