



# T&S BRASS AND BRONZE WORKS, INC.

2 Saddleback Cove / P.O. Box 1088  
Travelers Rest, SC 29690

Model No.

**B-2488**

Item No.

Travelers Rest, SC: 800-476-4103 • Simi Valley, CA: 800-423-0150 • Fax: 864-834-3518 • www.tsbrass.com

This Space for Architect/Engineer Approval

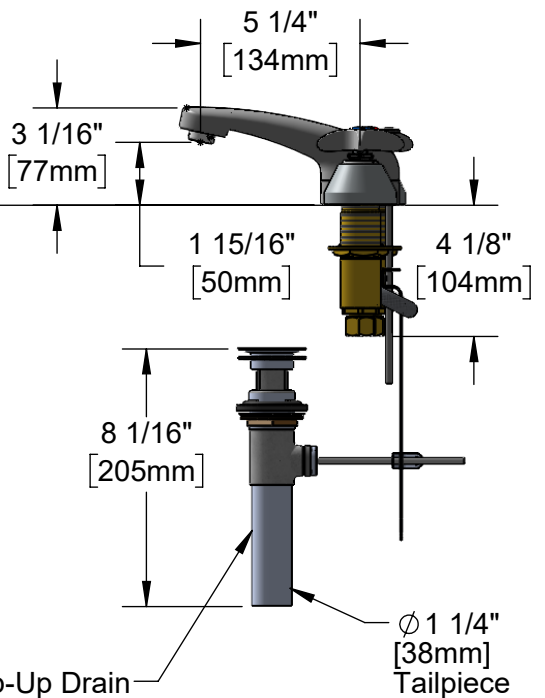
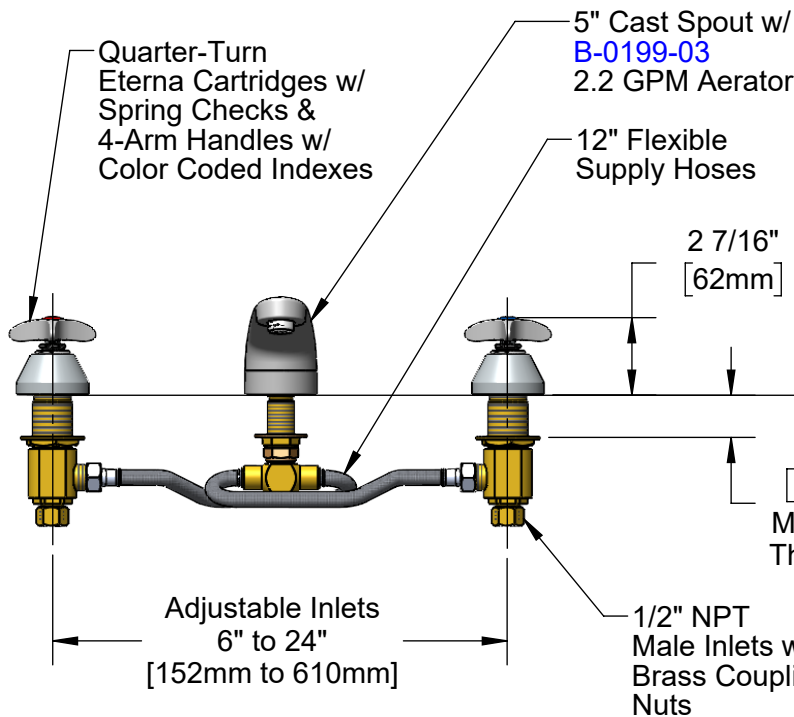
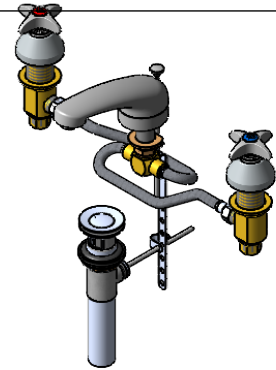
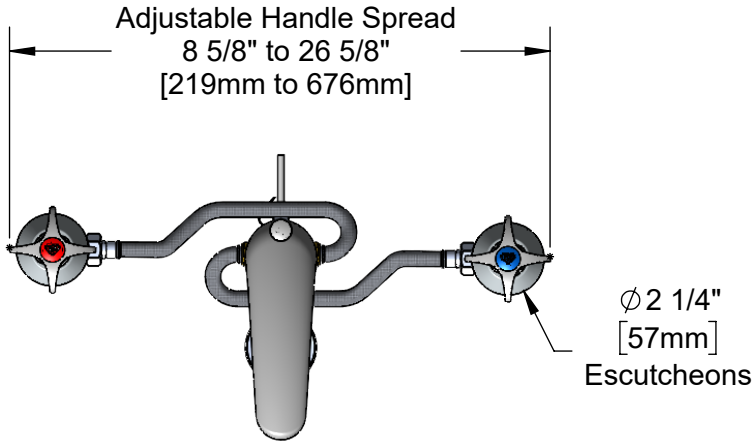
Job Name \_\_\_\_\_ Date \_\_\_\_\_

Model Specified \_\_\_\_\_ Quantity \_\_\_\_\_

Customer/Wholesaler \_\_\_\_\_

Contractor \_\_\_\_\_

Architect/Engineer \_\_\_\_\_



**Rough-In Requirement:**

Center Shank: Ø 1" [Ø 25mm] Mounting Hole

Hot/Cold Bodies: Ø 1 1/2" [Ø 38mm] Mounting Hole

Pop-Up Drain: Fits Sinks with 1 7/16" [36mm] to 1 3/4" [44mm] Drain Hole

**Product Specifications:**

Adjustable Deck Mount Mixing Faucet, Quarter-Turn Eterna Cartridges w/ Spring Checks, 4-Arm Handles, 5" Cast Spout, 2.2 GPM Aerator, Pop-Up Drain, 12" Flexible Supply Hoses & 1/2" NPT Inlets w/ Coupling Nuts

**Product Compliance:**

ASME A112.18.1 / CSA B125.1  
NSF 61 - Section 9  
NSF 372 (Low Lead Content)



# T&S BRASS AND BRONZE WORKS, INC.

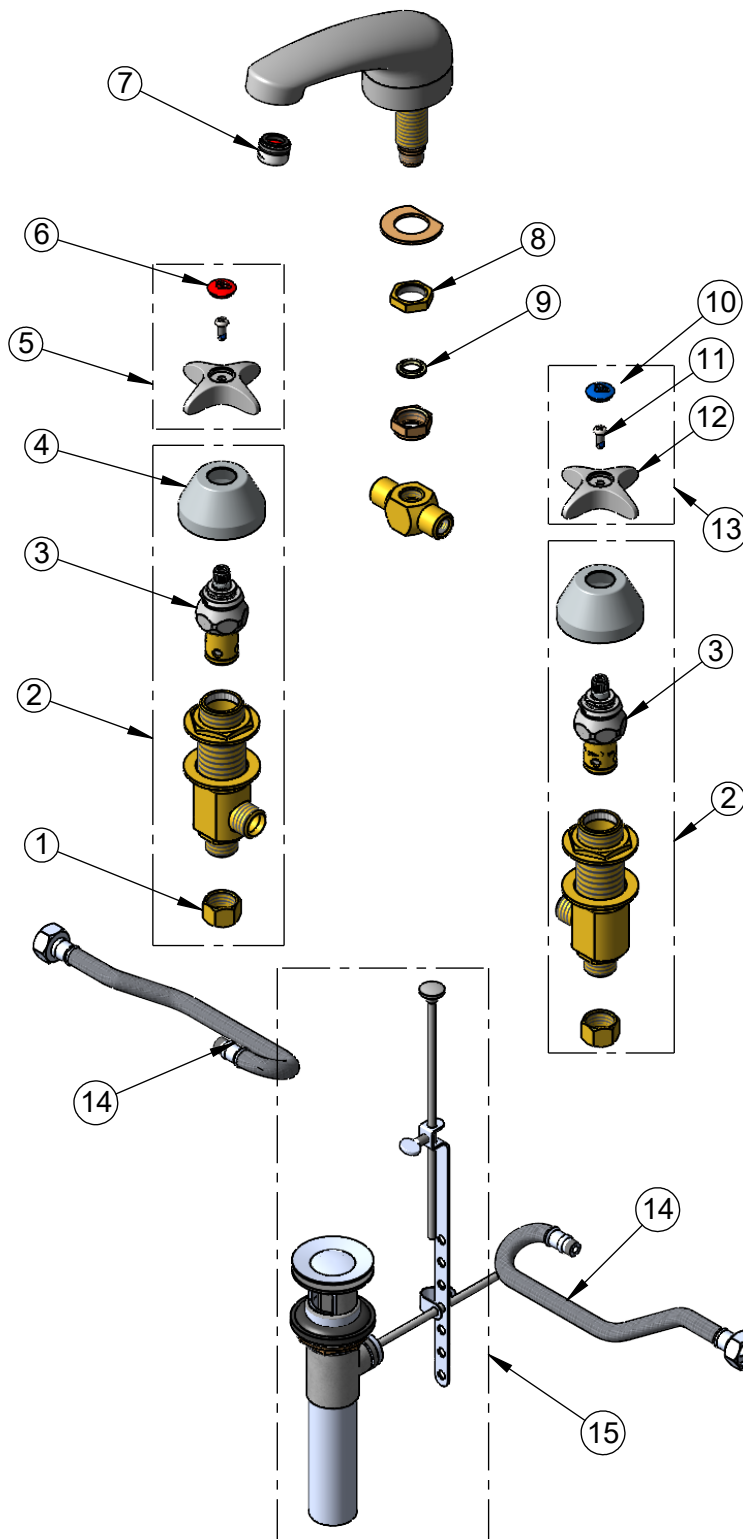
2 Saddleback Cove / P.O. Box 1088  
Travelers Rest, SC 29690

Model No.

**B-2488**

Item No.

Travelers Rest, SC: 800-476-4103 • Simi Valley, CA: 800-423-0150 • Fax: 864-834-3518 • www.tsbrass.com



ITEM NO.	SALES NO.	DESCRIPTION
1	000958-20	Coupling Nut
2	162A-NS	B-0850 Side Body - Hot
3	006478-40NS	CWS Quarter-Turn Eterna Cartridge w/ Spring Check, RTC
4	001257-40NS	Bell Escutcheon
5	175FHNS	4-Arm Handle, Screw & Red Index
6	001193-19NS	Red Button Index, Press-in
7	B-0199-03	2.2 GPM Aerator
8	002954-45	Shank Lock Nut
9	012702-45	Washer
10	018506-19NS	Blue Button Index, Press-in
11	000925-45	Lab Handle Screw
12	002521-45NS	4-Arm Handle (New Style)
13	175FCNS	4-Arm Handle, Screw & Blue Index
14	011649-45	12" Flexible Supply Hoses (2)
15	B-0898	Pop-Up Drain

**Product Specifications:**  
Adjustable Deck Mount Mixing Faucet, Quarter-Turn Eterna Cartridges w/ Spring Checks, 4-Arm Handles, 5" Cast Spout, 2.2 GPM Aerator, Pop-Up Drain, 12" Flexible Supply Hoses & 1/2" NPT Inlets w/ Coupling Nuts

**Product Compliance:**  
ASME A112.18.1 / CSA B125.1  
NSF 61 - Section 9  
NSF 372 (Low Lead Content)