



T&S BRASS AND BRONZE WORKS, INC.

2 Saddleback Cove / P.O. Box 1088
Travelers Rest, SC 29690

Model No.

B-2487

Item No.

Travelers Rest, SC: 800-476-4103 • Simi Valley, CA: 800-423-0150 • Fax: 864-834-3518 • www.tsbrass.com



ADA Compliant

This Space for Architect/Engineer Approval

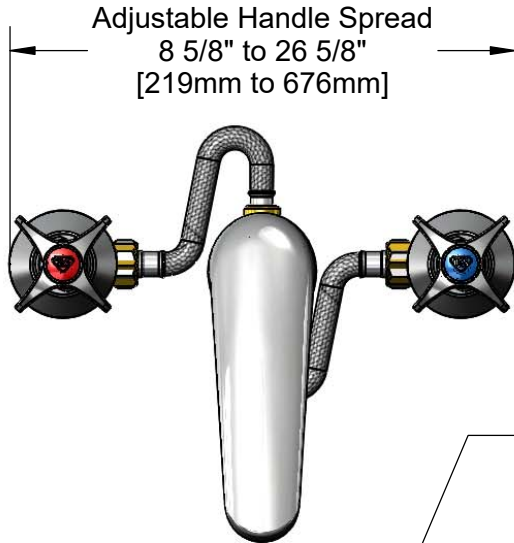
Job Name _____ Date _____

Model Specified _____ Quantity _____

Customer/Wholesaler _____

Contractor _____

Architect/Engineer _____



5" Cast Spout w/
B-0199-03
2.2 GPM Aerator

Quarter-Turn
Eterna Cartridges w/
Spring Checks
& 4-Arm Handles
w/ Color Coded Indexes

12" Flexible Supply
Hoses

2 1/2"
[64mm]

1 1/4"
[31mm]
Maximum
Thickness

Adjustable Inlets
6" to 24"
[152mm to 610mm]

3 1/16"
[77mm]

1 15/16"
[49mm]

4"
[102mm]

5 1/8"
[130mm]

Mounting Surface

Ø 2 1/4"
[57mm]
Escutcheons

1/2" NPT Male Inlets
w/ Brass Coupling Nuts

Rough-In Requirements:

Center Shank: ϕ 1" [25mm] Mounting Hole

Hot/Cold Bodies: ϕ 1 1/2" [38mm] Mounting Holes

Product Specifications:

Adjustable Concealed Widespread Mixing Faucet, Quarter-Turn Eterna Cartridges w/ Spring Checks, 4-Arm Handles, 5" Cast Spout w/ 2.2 GPM Aerator, 12" Flexible Supply Hoses & 1/2" NPT Male Inlets w/ Brass Coupling Nuts

Product Compliance:

ASME A112.18.1 / CSA B125.1
NSF 61 - Section 9
NSF 372 (Low Lead Content)
ANSI A117.1 (ADA)

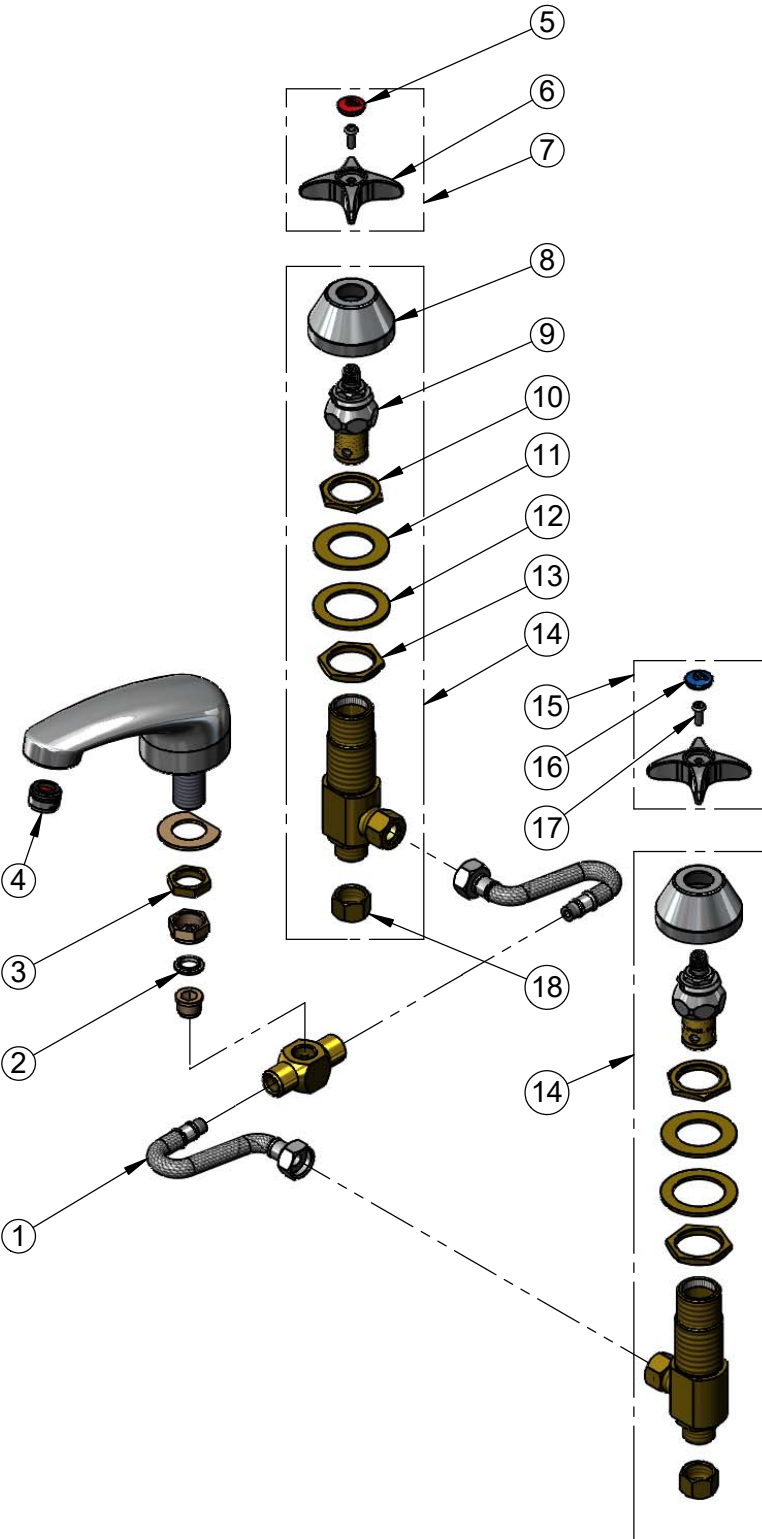


T&S BRASS AND BRONZE WORKS, INC.
 2 Saddleback Cove / P.O. Box 1088
 Travelers Rest, SC 29690

Model No.
B-2487

Item No.

Travelers Rest, SC: 800-476-4103 • Simi Valley, CA: 800-423-0150 • Fax: 864-834-3518 • www.tsbrass.com



ITEM NO.	SALES NO.	DESCRIPTION
1	011649-45	12" Flexible Supply Hose (2)
2	012702-45	Washer, Cross Body
3	002954-45	Shank Lock Nut
4	B-0199-03	2.2 GPM Aerator
5	001193-19NS	Red Button Index, Press-in
6	002521-45NS	4-Arm Handle (New Style)
7	175FHNS	4-Arm Handle, Screw & Red Index
8	001257-40NS	Bell Escutcheon
9	006478-40NS	CWS Quarter-Turn Eterna Cartridge w/ Spring Check, RTC
10	000959-20	Side Body Top Lock Nut
11	002290-45	Lock Washer
12	001006-45	Washer
13	000960-20	Side Body Bottom Lock Nut
14	162A-NS	B-0850 Side Body - Hot
15	175FCNS	4-Arm Handle, Screw & Blue Index
16	018506-19NS	Blue Button Index, Press-in
17	000925-45	Lab Handle Screw
18	000958-20	Coupling Nut

Product Specifications:

Adjustable Concealed Widespread Mixing Faucet, Quarter-Turn Eterna Cartridges w/ Spring Checks, 4-Arm Handles, 5" Cast Spout w/ 2.2 GPM Aerator, 12" Flexible Supply Hoses & 1/2" NPT Male Inlets w/ Brass Coupling Nuts

Product Compliance:

ASME A112.18.1 / CSA B125.1
 NSF 61 - Section 9
 NSF 372 (Low Lead Content)
 ANSI A117.1 (ADA)