



T&S BRASS AND BRONZE WORKS, INC.
 2 Saddleback Cove / P.O. Box 1088
 Travelers Rest, SC 29690

Model No.
B-2465

Item No.

Travelers Rest, SC: 800-476-4103 • Simi Valley, CA: 800-423-0150 • Fax: 864-834-3518 • www.tsbrass.com



ADA Compliant

This Space for Architect/Engineer Approval

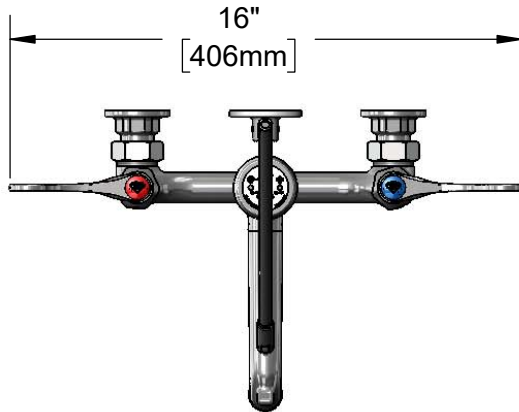
Job Name _____ Date _____

Model Specified _____ Quantity _____

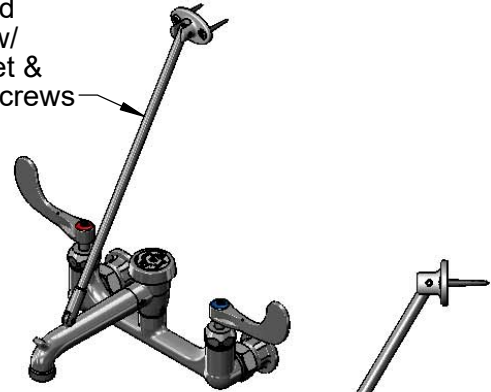
Customer/Wholesaler _____

Contractor _____

Architect/Engineer _____



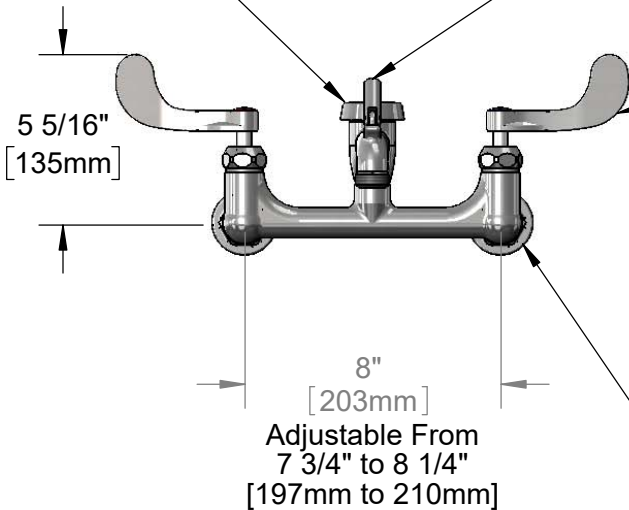
Support Rod
 Furnished w/
 Wall Bracket &
 Mounting Screws



B-0969

1/2" Vacuum
 Breaker

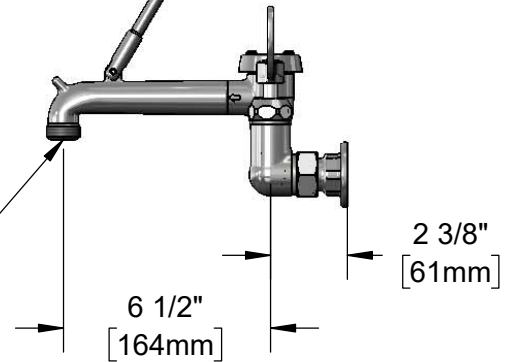
Items
 Not Shown
 For Clarity



Quarter-Turn
 Cerama Cartridges
 w/ Check Valves &
 4" Wrist Action
 Handles w/ Color
 Coded Indexes

Male Garden
 Hose Outlet

Ø2" [51mm]
 Flanges w/
 1/2" NPT
 Female Inlets



48" Black Rubber Flexible Hose w/
 Female Garden Hose Connector (1) End

Product Specifications:

8" Wall Mount Service Sink Mixing Faucet, Quarter-Turn Cerama Cartridges w/ Check Valves, 4" Wrist Action Handles, 1/2" NPT Vacuum Breaker, Upper Wall Brace, 48" Black Rubber Flexible Hose & 1/2" NPT Female Inlets

Product Compliance:

ASME A112.18.1 / CSA B125.1
 NSF 61 - Section 9
 NSF 372 (Low Lead Content)
 ANSI A117.1 (ADA)
 ASSE 1001 (VB)



T&S BRASS AND BRONZE WORKS, INC.

2 Saddleback Cove / P.O. Box 1088
Travelers Rest, SC 29690

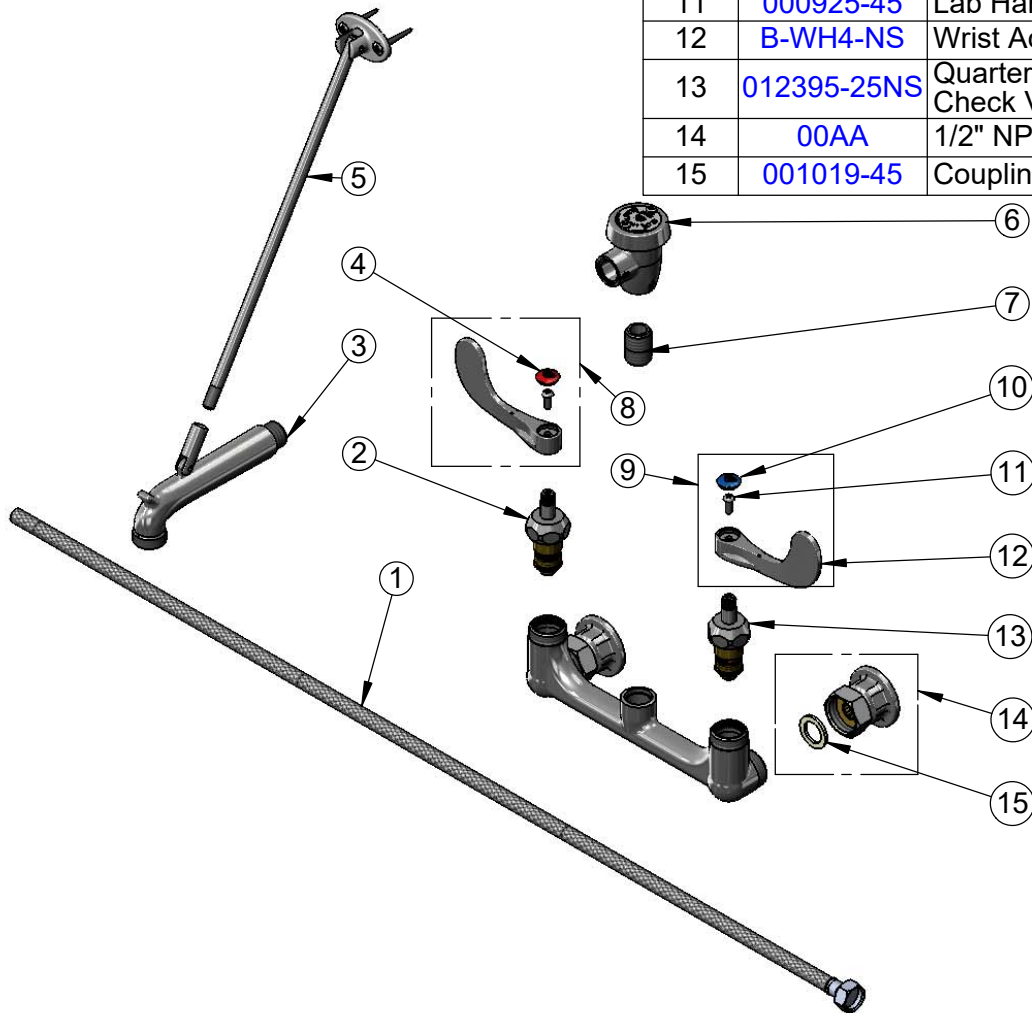
Model No.

B-2465

Item No.

Travelers Rest, SC: 800-476-4103 • Simi Valley, CA: 800-423-0150 • Fax: 864-834-3518 • www.tsbrass.com

ITEM NO.	SALES NO.	DESCRIPTION
1	B-0618-02	48" Black Rubber Hose w/ GH Inlet
2	012394-25NS	Quarter-Turn Cerama Cartridge w/ Check Valve, RTC
3	009545-40	Nozzle, Polish Chrome w/ Top Support Clevis
4	001193-19NS	Red Button Index, Press-in
5	009546-40	Upper Support Rod, Polish Chrome w/ Mounting Screws
6	B-0969	Vacuum Breaker, 1/2"
7	002534-25	Close Nipple, 1/2" NPT
8	B-WH4H-NS	Wrist Action Handle, Red Index & Screw
9	B-WH4C-NS	Wrist Action Handle, Blue Index & Screw
10	018506-19NS	Blue Button Index, Press-in
11	000925-45	Lab Handle Screw
12	B-WH4-NS	Wrist Action Handle (New Style)
13	012395-25NS	Quarter-Turn Cerama Cartridge w/ Check Valve, LTC
14	00AA	1/2" NPT Female Eccentric Flange
15	001019-45	Coupling Nut Washer



Product Specifications:

8" Wall Mount Service Sink Mixing Faucet, Quarter-Turn Cerama Cartridges w/ Check Valves, 4" Wrist Action Handles, 1/2" NPT Vacuum Breaker, Upper Wall Brace, 48" Black Rubber Flexible Hose & 1/2" NPT Female Inlets

Product Compliance:

ASME A112.18.1 / CSA B125.1
NSF 61 - Section 9
NSF 372 (Low Lead Content)
ANSI A117.1 (ADA)
ASSE 1001 (VB)