



T&S BRASS AND BRONZE WORKS, INC.

2 Saddleback Cove / P.O. Box 1088
Travelers Rest, SC 29690

Model No.

B-2456

Item No.

Travelers Rest, SC: 800-476-4103 • Simi Valley, CA: 800-423-0150 • Fax: 864-834-3518 • www.tsbrass.com

This Space for Architect/Engineer Approval

Job Name _____ Date _____

Model Specified _____ Quantity _____

Customer/Wholesaler _____

Contractor _____

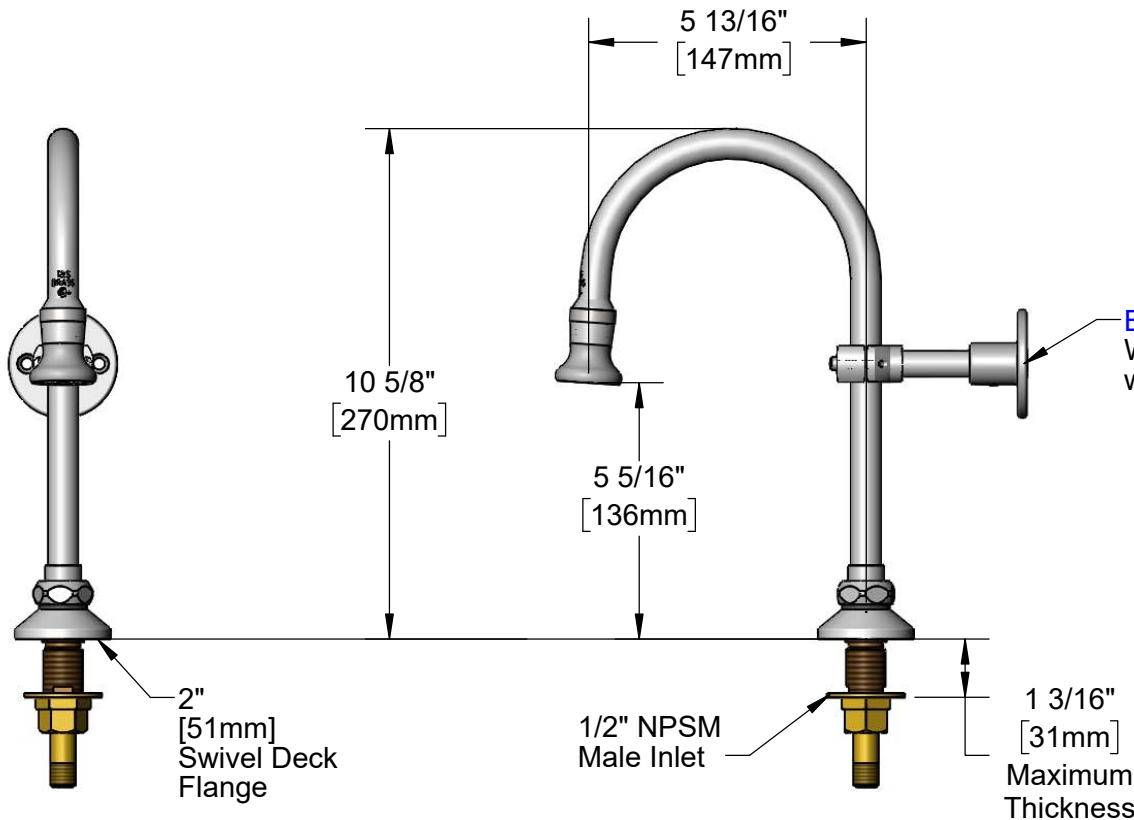
Architect/Engineer _____



Swivel Gooseneck w/
B-0103-01
2.2 GPM
Rosespray Outlet.
Rigid Conversion Requires
014200-45 Lock Washer
(Included)



B-0109-06
Wall Bracket
w/ Mounting Screws



Rough-In Requirement:
Ø 1" [25mm] Mounting Hole

Product Specifications:

Single Hole Deck Mount Rigid/Swivel Gooseneck w/ 2.2 GPM
Rosespray Outlet, Wall Bracket and 1/2" NPSM Male Inlet

Product Compliance:

ASME A112.18.1 / CSA B125.1
NSF 61 - Section 9
NSF 372 (Low Lead Content)



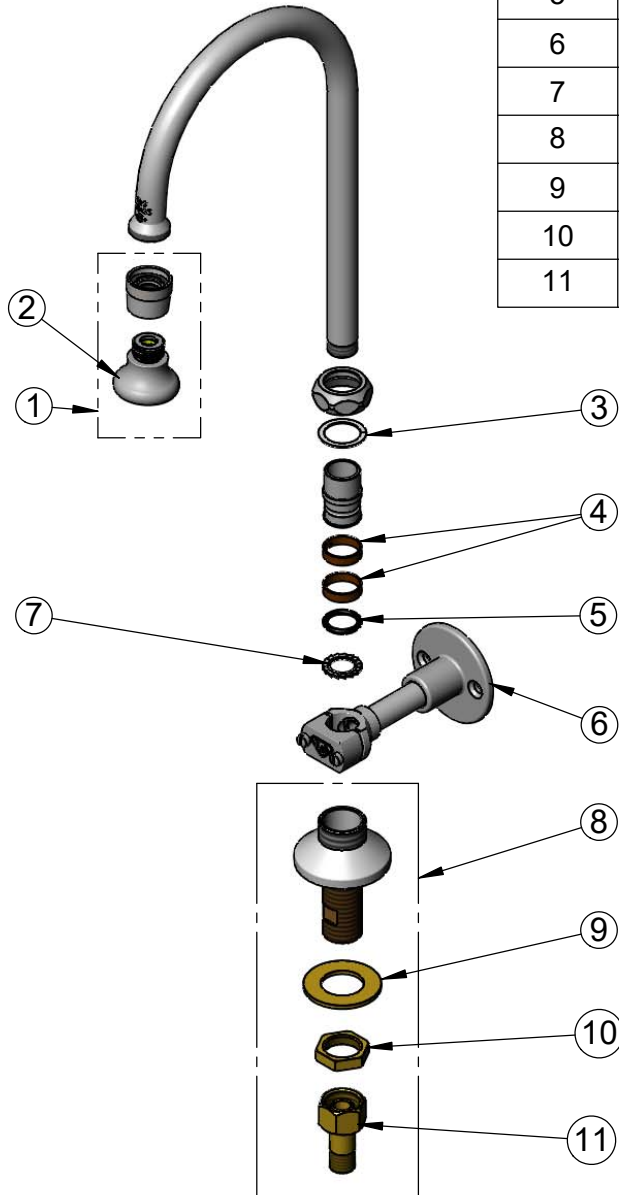
T&S BRASS AND BRONZE WORKS, INC.
 2 Saddleback Cove / P.O. Box 1088
 Travelers Rest, SC 29690

Model No.
B-2456

Item No.

Travelers Rest, SC: 800-476-4103 • Simi Valley, CA: 800-423-0150 • Fax: 864-834-3518 • www.tsbrass.com

ITEM NO.	SALES NO.	DESCRIPTION
1	B-0103-01	2.2 GPM Rosespray, 55/64-27 UN Female
2	B-0103	2.2 GPM Rosespray, 3/8-18 NPT Male
3	009538-45	Swivel Washer
4	011429-45	Swivel Sleeves (2)
5	001074-45	O-Ring
6	B-0109-01	6" Wall Bracket
7	014200-45	Star Washer, Anti-Rotation
8	B-0431	Swivel Base Deck Mount Flange
9	000999-45	Brass Lock Washer
10	002954-45	Shank Lock Nut
11	150A	Coupling Nut



Product Specifications:
 Single Hole Deck Mount Rigid/Swivel Gooseneck w/ 2.2 GPM
 Rosespray Outlet, Wall Bracket and 1/2" NPSM Male Inlet

Product Compliance:
 ASME A112.18.1 / CSA B125.1
 NSF 61 - Section 9
 NSF 372 (Low Lead Content)