



T&S BRASS AND BRONZE WORKS, INC.
 2 Saddleback Cove / P.O. Box 1088
 Travelers Rest, SC 29690

Model No.
B-2456-W

Item No.

Travelers Rest, SC: 800-476-4103 • Simi Valley, CA: 800-423-0150 • Fax: 864-834-3518 • www.tsbrass.com

This Space for Architect/Engineer Approval

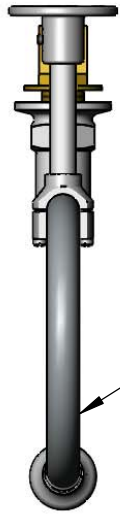
Job Name _____ Date _____

Model Specified _____ Quantity _____

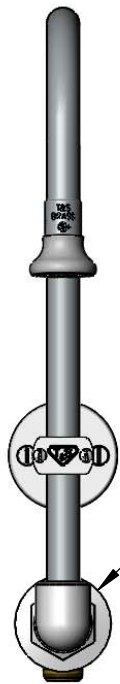
Customer/Wholesaler _____

Contractor _____

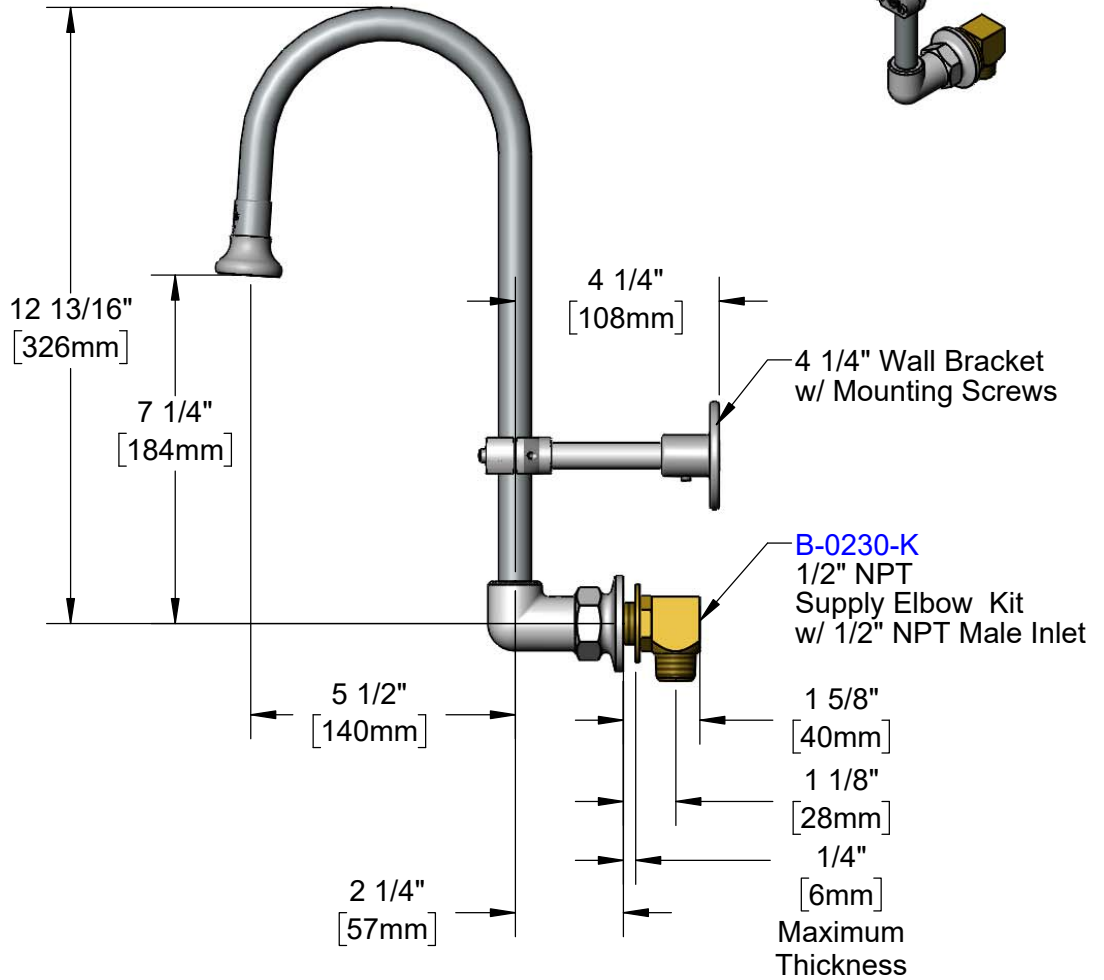
Architect/Engineer _____



Rigid Gooseneck &
B-0103-FD15
 1.5 GPM Rosespray
 Outlet



Ø2"
 [51mm]



Rough-In Requirement:
 Ø1" [25mm] Mounting Hole

Product Specifications:
 Single Hole Wall Mount Rigid Elbow, Rigid Gooseneck, Rosespray w/ 1.5 GPM Flow Disc, Wall Bracket, Supply Elbow Kit & 1/2" NPT Male Inlet

Product Compliance:
 ASME A112.18.1 / CSA B125.1
 NSF 61 - Section 9
 NSF 372 (Low Lead Content)



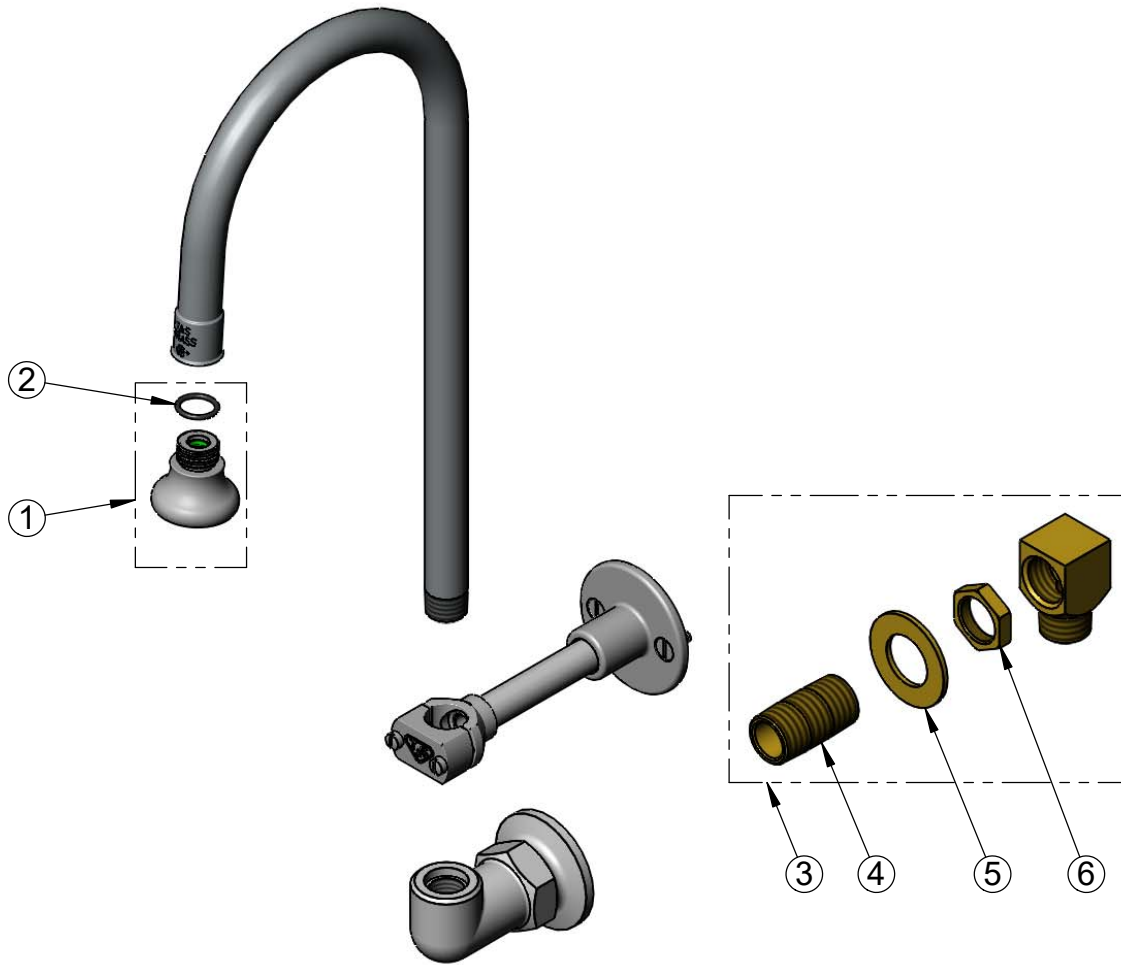
T&S BRASS AND BRONZE WORKS, INC.
 2 Saddleback Cove / P.O. Box 1088
 Travelers Rest, SC 29690

Model No.
B-2456-W

Item No.

Travelers Rest, SC: 800-476-4103 • Simi Valley, CA: 800-423-0150 • Fax: 864-834-3518 • www.tsbrass.com

ITEM NO.	SALES NO.	DESCRIPTION
1	B-0103-FD15	Rosespray Outlet w/ 1.5 GPM Flow Control
2	006575-45	-015 O-Ring
3	B-0230-K	1/2" NPT Supply Elbow Kit (2)
4	013357-20	1/2" NPT x 1-5/8" Lg. Supply Nipple
5	000999-45	Brass Lock Washer
6	002954-45	Shank Lock Nut



Product Specifications:

Single Hole Wall Mount Rigid Elbow, Rigid Gooseneck, Rosespray w/ 1.5 GPM Flow Disc, Wall Bracket, Supply Elbow Kit & 1/2" NPT Male Inlet

Product Compliance:

ASME A112.18.1 / CSA B125.1
 NSF 61 - Section 9
 NSF 372 (Low Lead Content)