



T&S BRASS AND BRONZE WORKS, INC.
 2 Saddleback Cove / P.O. Box 1088
 Travelers Rest, SC 29690

Model No.
B-2395

Item No.

Travelers Rest, SC: 800-476-4103 • Simi Valley, CA: 800-423-0150 • Fax: 864-834-3518 • www.tsbrass.com

This Space for Architect/Engineer Approval

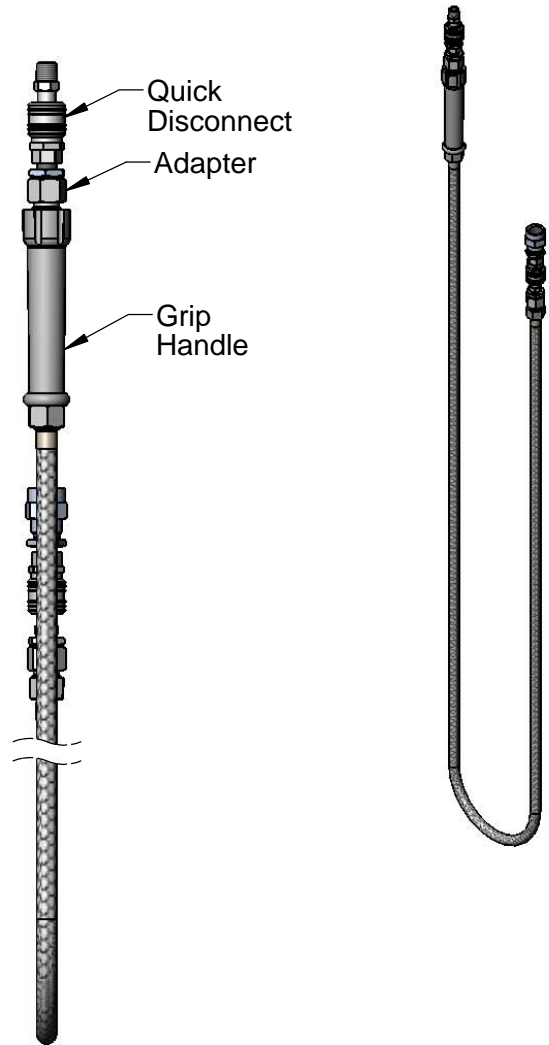
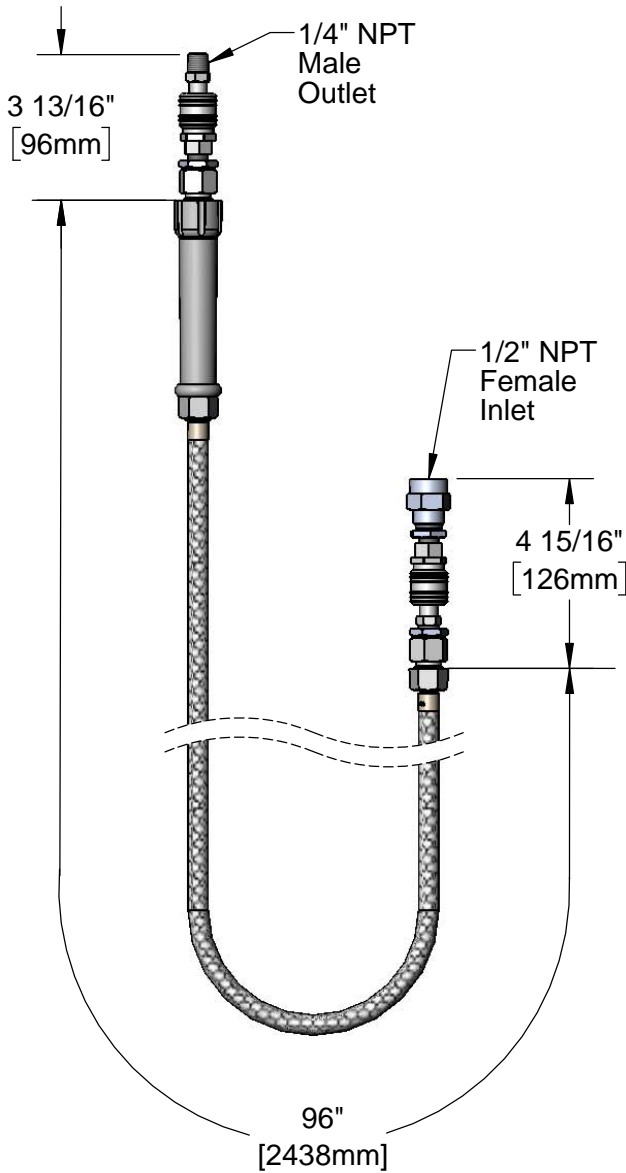
Job Name _____ Date _____

Model Specified _____ Quantity _____

Customer/Wholesaler _____

Contractor _____

Architect/Engineer _____



Product Specifications:
 8' PVC Flexible Hose w/ FDA Food Grade Tubing, Stainless Steel Quick Disconnect, 1/4" NPT Male Outlet and 1/2" NPT Female Inlet.

Product Compliance:
 ASME A112.18.1 / CSA B125.1
 NSF 61 - Section 9
 NSF 372 (Low Lead Content)

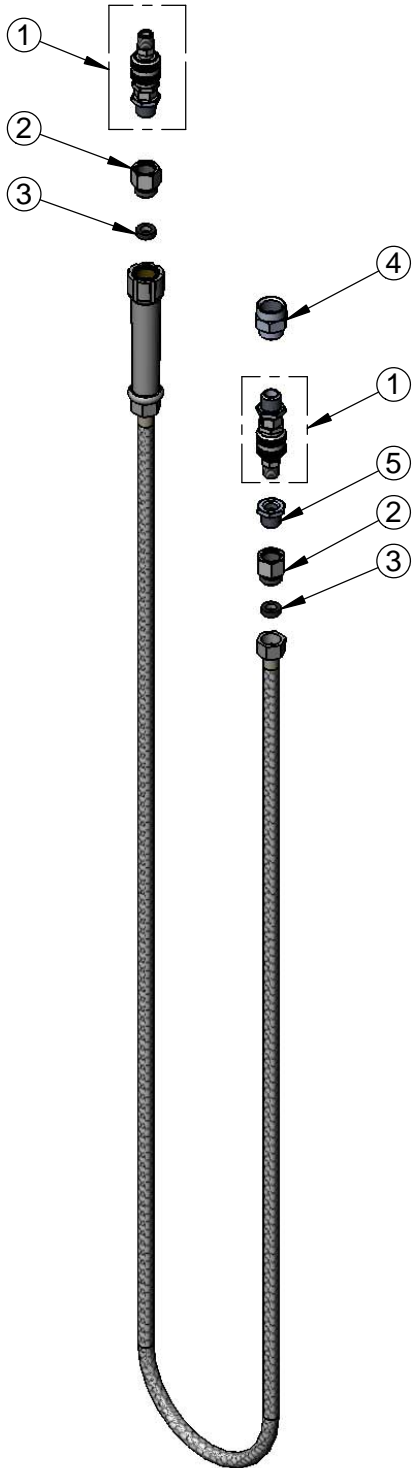


T&S BRASS AND BRONZE WORKS, INC.
 2 Saddleback Cove / P.O. Box 1088
 Travelers Rest, SC 29690

Model No.
B-2395

Item No.

Travelers Rest, SC: 800-476-4103 • Simi Valley, CA: 800-423-0150 • Fax: 864-834-3518 • www.tsbrass.com



ITEM NO.	SALES NO.	DESCRIPTION
1	B-0452	Stainless Steel Quick-Disconnect Coupling Set
2	000546-25	Adapter, 3/8 NPT-F x 3/4-14 Male
3	010476-45	#27 Washer
4	001995-25	1/2" NPT x 3/8" NPT Adapter
5	001904-25	Adapter, 3/8 Male x 1/4 Female

Product Specifications:

8' PVC Flexible Hose w/ FDA Food Grade Tubing, Stainless Steel Quick Disconnect, 1/4" NPT Male Outlet and 1/2" NPT Female Inlet.

Product Compliance:

ASME A112.18.1 / CSA B125.1
 NSF 61 - Section 9
 NSF 372 (Low Lead Content)