



T&S BRASS AND BRONZE WORKS, INC.
 2 Saddleback Cove / P.O. Box 1088
 Travelers Rest, SC 29690

Model No.
B-2360-WFK

Item No.

Travelers Rest, SC: 800-476-4103 • Simi Valley, CA: 800-423-0150 • Fax: 864-834-3518 • www.tsbrass.com



ADA Compliant

This Space for Architect/Engineer Approval

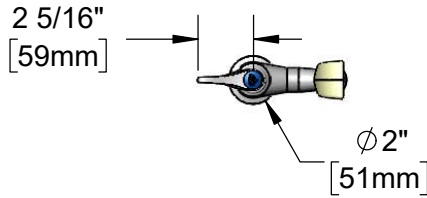
Job Name _____ Date _____

Model Specified _____ Quantity _____

Customer/Wholesaler _____

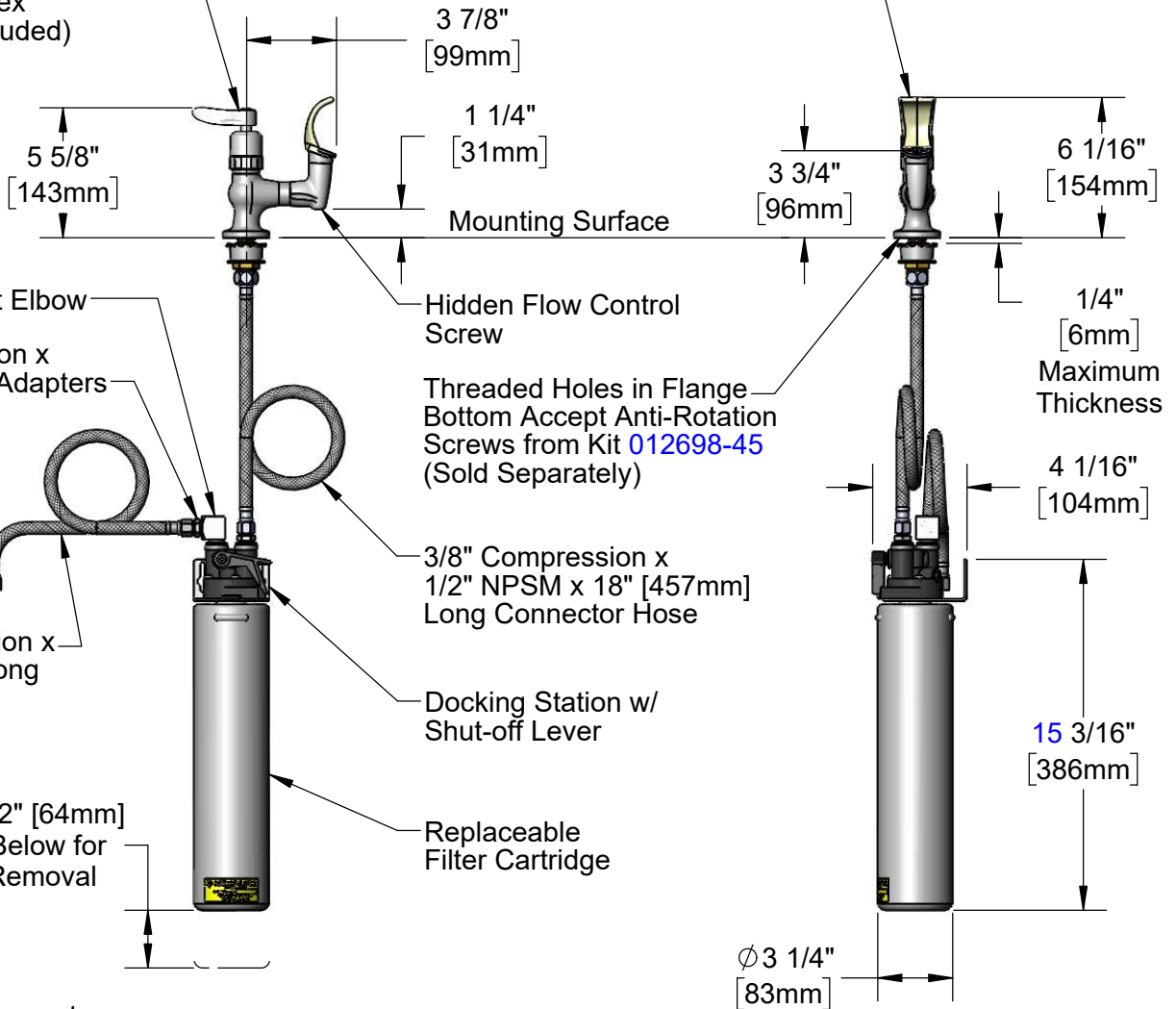
Contractor _____

Architect/Engineer _____



Fast Self-Closing Cartridge w/
 Lever handle w/ VR Screw &
 Color Coded Index
 (Spanner Bit Included)

Rubber Mouth Guard



3/8" NPT Street Elbow
 3/8" Compression x
 3/8" NPT Male Adapters

Hidden Flow Control
 Screw

Threaded Holes in Flange
 Bottom Accept Anti-Rotation
 Screws from Kit **012698-45**
 (Sold Separately)

3/8" Compression x
 1/2" NPSM x 18" [457mm]
 Long Connector Hose

3/8" Compression x
 20" [508mm] Long
 Inlet Hose

Docking Station w/
 Shut-off Lever

Replaceable
 Filter Cartridge

Allow for 2 1/2" [64mm]
 Clearance Below for
 Cartridge Removal

Rough-In Requirement:
 ϕ 1" [25mm] Mounting Hole

Product Specifications:
Fast Self-Closing Bubbler w/ Water Filtration Kit

Product Compliance:
 ASME A112.18.1 / CSA B125.1
 NSF 61 - Section 9
 NSF 372 (Low Lead Content)
 ANSI A117.1 (ADA)



T&S BRASS AND BRONZE WORKS, INC.

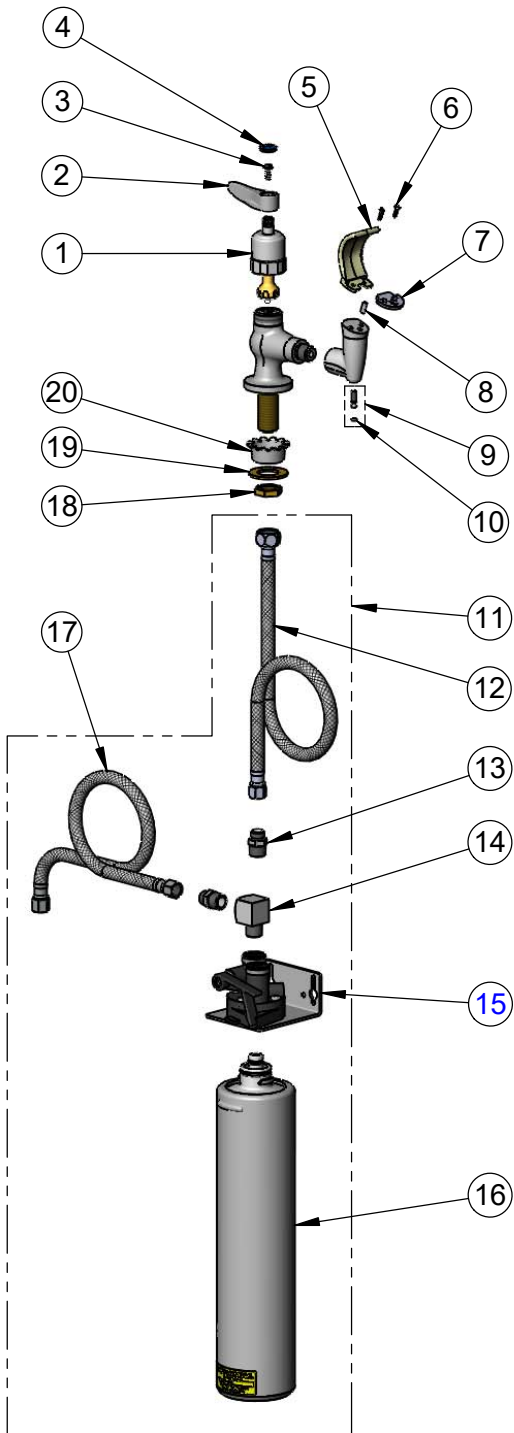
2 Saddleback Cove / P.O. Box 1088
Travelers Rest, SC 29690

Model No.

B-2360-WFK

Item No.

Travelers Rest, SC: 800-476-4103 • Simi Valley, CA: 800-423-0150 • Fax: 864-834-3518 • www.tsbrass.com



ITEM NO.	SALES NO.	DESCRIPTION
1	015317-40	Fast Self-Close Cartridge
2	001638-45NS	Lever Handle (New Style)
3	VRS-2	VR Wrist Action Handle Screw (2) w/ Spanner Bit
4	018506-19NS	Blue Button Index, Press-in
5	009595-45	Rubber Mouth Guard
6	009598-45	Mouth Guard Screw
7	009596-40	Mouth Guard Holder
8	009594-45	Flow Straightener
9	012697-45	Flow Control Screw
10	015319-45	O-Ring
11	B-WFK	Water Filtration Kit
12	5EF-0005	Supply Hose, 9/16-24 Female x 1/2" NPSM
13	006101-45	Adapter, 3/8" NPT x 9/16"-24 UN Male
14	148X	3/8 Street Elbow
15	B-WFDS	Water Filtration Docking Station
16	B-WFC	Filter Cartridge
17	013146-45	Supply Hose, 9/16-24 Fem (3/8" Comp)
18	002954-45	Shank Lock Nut
19	000999-45	Brass Lock Washer
20	001000-45	Rosette Washer



014075-45
#10 Spanner Bit
for VR Screw

Product Specifications:
Fast Self-Closing Bubbler w/ Water Filtration Kit

Product Compliance:
ASME A112.18.1 / CSA B125.1
NSF 61 - Section 9
NSF 372 (Low Lead Content)
ANSI A117.1 (ADA)