



T&S BRASS AND BRONZE WORKS, INC.

2 Saddleback Cove / P.O. Box 1088
Travelers Rest, SC 29690

Model No.

B-2360-04

Item No.

Travelers Rest, SC: 800-476-4103 • Simi Valley, CA: 800-423-0150 • Fax: 864-834-3518 • www.tsbrass.com



ADA Compliant

This Space for Architect/Engineer Approval

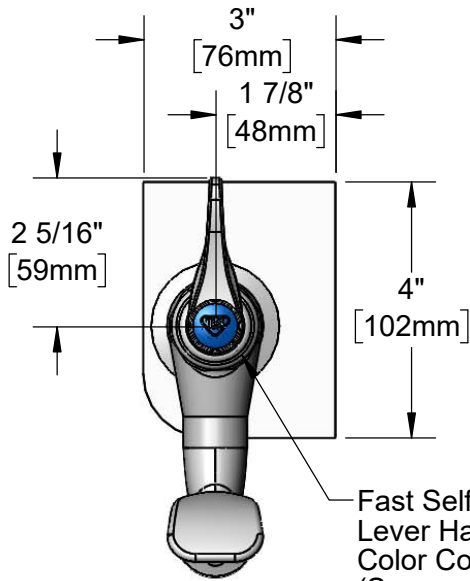
Job Name _____ Date _____

Model Specified _____ Quantity _____

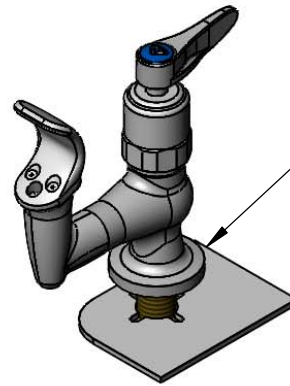
Customer/Wholesaler _____

Contractor _____

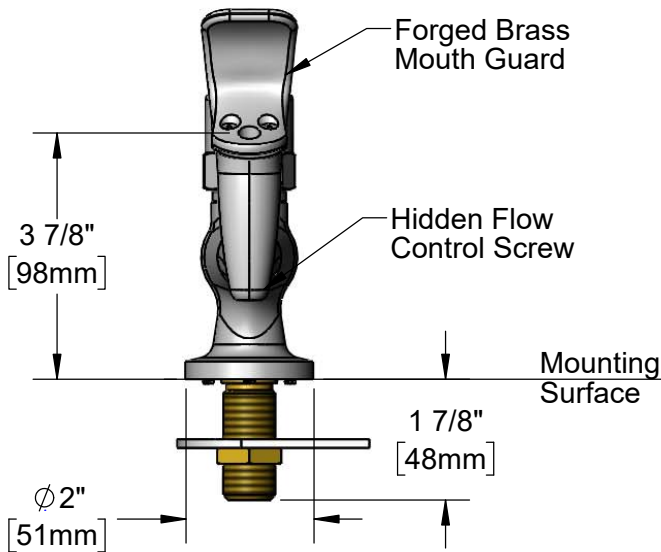
Architect/Engineer _____



Fast Self-Closing Cartridge w/
Lever Handle w/ VR Screw &
Color Coded Index
(Spanner Bit Included)



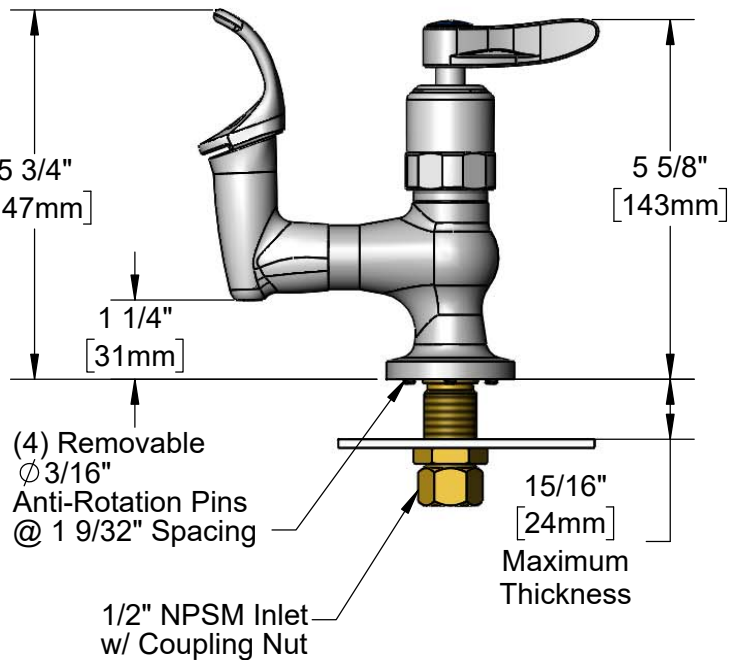
Stainless Steel
Backing Plate.
Notches Align w/
(4) Anti-Rotation
Pins



Forged Brass
Mouth Guard

Hidden Flow
Control Screw

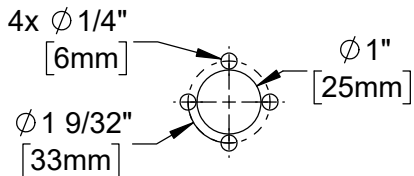
Mounting
Surface



(4) Removable
Ø 3/16"
Anti-Rotation Pins
@ 1 9/32" Spacing

1/2" NPSM Inlet
w/ Coupling Nut

15/16"
[24mm]
Maximum
Thickness



Mounting Hole
Details

Rough-In Requirement:
Ø 1" [25mm] Mounting Hole

Product Specifications:

Bubbler w/ Fast Self-Closing Cartridge, Lever Handle,
Forged Brass Mouth Guard, Stainless Steel Backing Plate &
1/2" NPSM Inlet w/ Coupling Nut

Product Compliance:

ASME A112.18.1 / CSA B125.1
NSF 61 - Section 9
NSF 372 (Low Lead Content)
ANSI A117.1 (ADA)

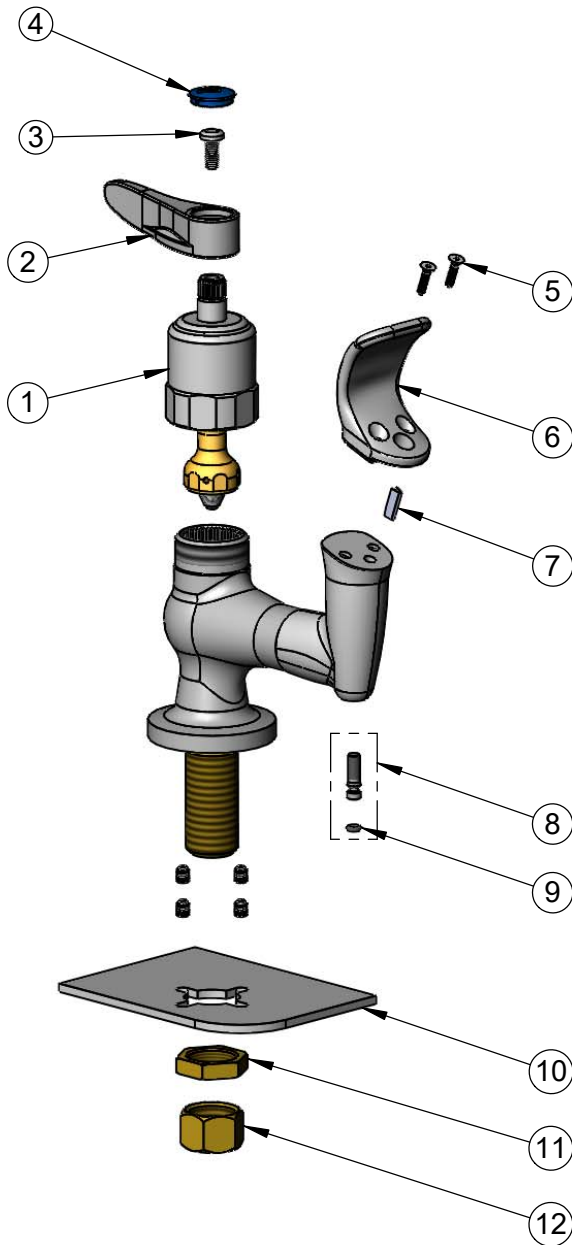


T&S BRASS AND BRONZE WORKS, INC.
 2 Saddleback Cove / P.O. Box 1088
 Travelers Rest, SC 29690

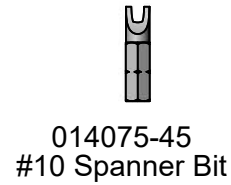
Model No.
B-2360-04

Item No.

Travelers Rest, SC: 800-476-4103 • Simi Valley, CA: 800-423-0150 • Fax: 864-834-3518 • www.tsbrass.com



ITEM NO.	SALES NO.	DESCRIPTION
1	015317-40	Fast Self-Close Cartridge
2	001638-45NS	Lever Handle (New Style)
3	VRS-2	VR Wrist Action Handle Screw (2) w/ Spanner Bit
4	018506-19NS	Blue Button Index, Press-in
5	009598-45	Mouth Guard Screw
6	011299-40	Forged Brass Mouth Guard
7	009594-45	Flow Straightener
8	012697-45	Flow Control Screw
9	015319-45	O-Ring
10	013355-45	Stainless Steel Backing Plate
11	002954-45	Shank Lock Nut
12	000958-20	Coupling Nut



Product Specifications:
 Bubbler w/ Fast Self-Closing Cartridge, Lever Handle,
 Forged Brass Mouth Guard, Stainless Steel Backing Plate &
 1/2" NPSM Inlet w/ Coupling Nut

Product Compliance:
 ASME A112.18.1 / CSA B125.1
 NSF 61 - Section 9
 NSF 372 (Low Lead Content)
 ANSI A117.1 (ADA)