



T&S BRASS AND BRONZE WORKS, INC.

2 Saddleback Cove / P.O. Box 1088
Travelers Rest, SC 29690

Model No.

B-2360-01

Item No.

Travelers Rest, SC: 800-476-4103 • Simi Valley, CA: 800-423-0150 • Fax: 864-834-3518 • www.tsbrass.com



ADA Compliant

This Space for Architect/Engineer Approval

Job Name _____ Date _____

Model Specified _____ Quantity _____

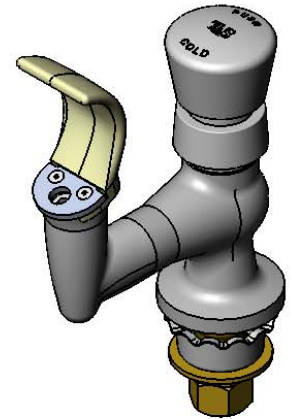
Customer/Wholesaler _____

Contractor _____

Architect/Engineer _____

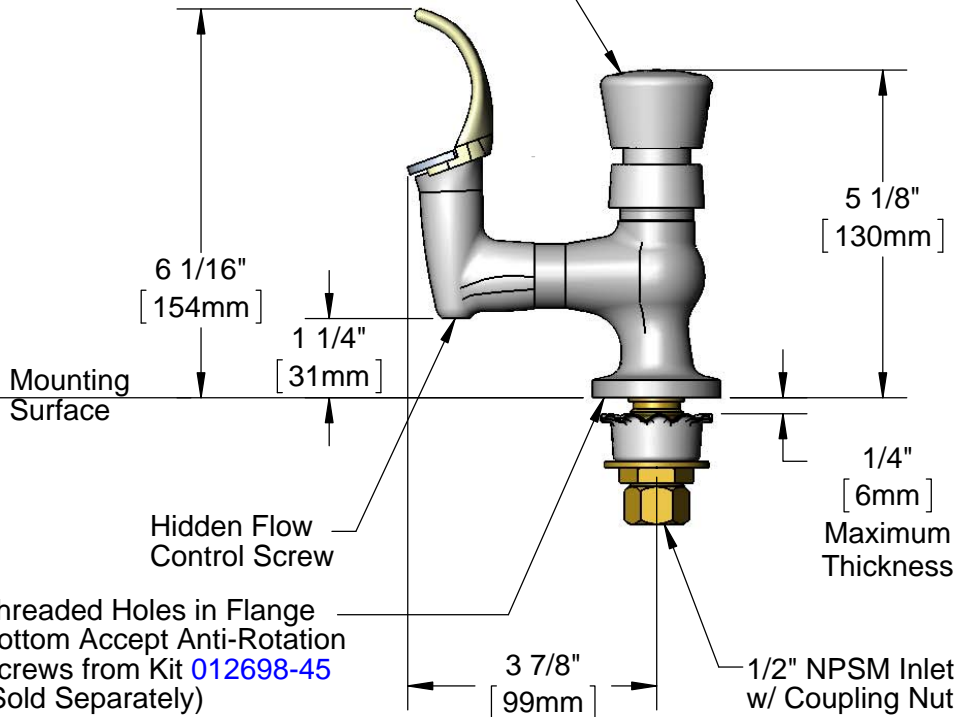
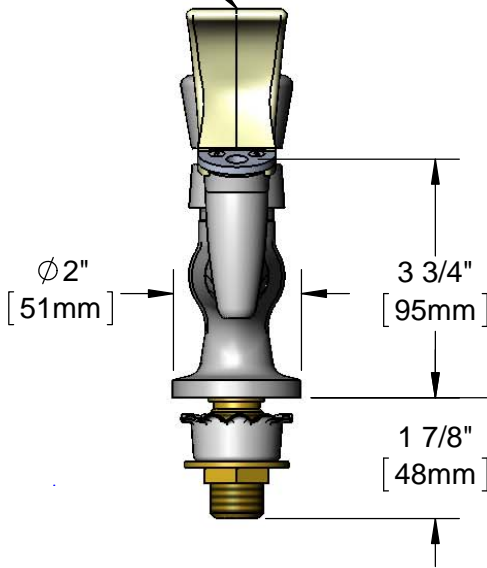


Spanner Bit for Access to Metering Adjustment (Included)
Metering Adjustment Requires 3/32" Hex Key



Rubber Mouth Guard

Push Button Metering Cartridge w/ "Cold" Cap



Mounting Surface

Hidden Flow Control Screw

Threaded Holes in Flange Bottom Accept Anti-Rotation Screws from Kit [012698-45](#) (Sold Separately)

Rough-In Requirement:
Ø1" [25mm] Mounting Hole

Product Specifications:
Bubbler w/ Rubber Mouth Guard, Push Button Metering Cartridge w/ "Cold" Cap & 1/2" NPSM Inlet w/ Coupling Nut

Product Compliance:
ASME A112.18.1 / CSA B125.1
NSF 61 - Section 9
NSF 372 (Low Lead Content)
ANSI A117.1 (ADA)



T&S BRASS AND BRONZE WORKS, INC.

2 Saddleback Cove / P.O. Box 1088
Travelers Rest, SC 29690

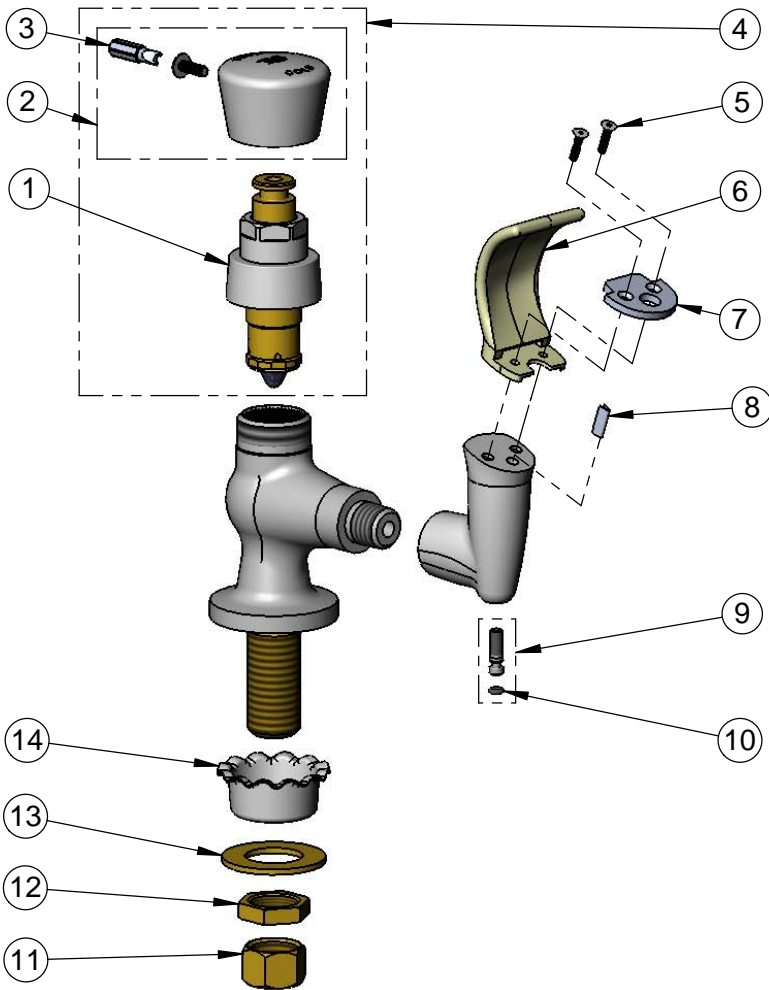
Model No.

B-2360-01

Item No.

Travelers Rest, SC: 800-476-4103 • Simi Valley, CA: 800-423-0150 • Fax: 864-834-3518 • www.tsbrass.com

ITEM NO.	SALES NO.	DESCRIPTION
1	238A	Push Button Metering Cartridge
2	014195-40	Cold Push Button Cap
3	014734-45	#8 Spanner Bit
4	238AC	Metering Cartridge w/ Cold Push Button Cap
5	009598-45	Mouth Guard Screw
6	009595-45	Rubber Mouth Guard
7	009596-40	Mouth Guard Holder
8	009594-45	Flow Straightener
9	012697-45	Flow Control Screw
10	015319-45	O-Ring
11	000958-20	Coupling Nut
12	002954-45	Shank Lock Nut
13	000999-45	Brass Lock Washer
14	001000-45	Rosette Washer



Product Specifications:

Bubbler w/ Rubber Mouth Guard, Push Button Metering Cartridge w/ "Cold" Cap & 1/2" NPSM Inlet w/ Coupling Nut

Product Compliance:

ASME A112.18.1 / CSA B125.1
NSF 61 - Section 9
NSF 372 (Low Lead Content)
ANSI A117.1 (ADA)