



**T&S BRASS AND BRONZE WORKS, INC.**  
 2 Saddleback Cove / P.O. Box 1088  
 Travelers Rest, SC 29690

Model No.  
**B-2360-01-WFK**

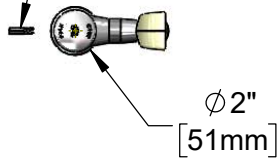
Item No.

Travelers Rest, SC: 800-476-4103 • Simi Valley, CA: 800-423-0150 • Fax: 864-834-3518 • www.tsbrass.com



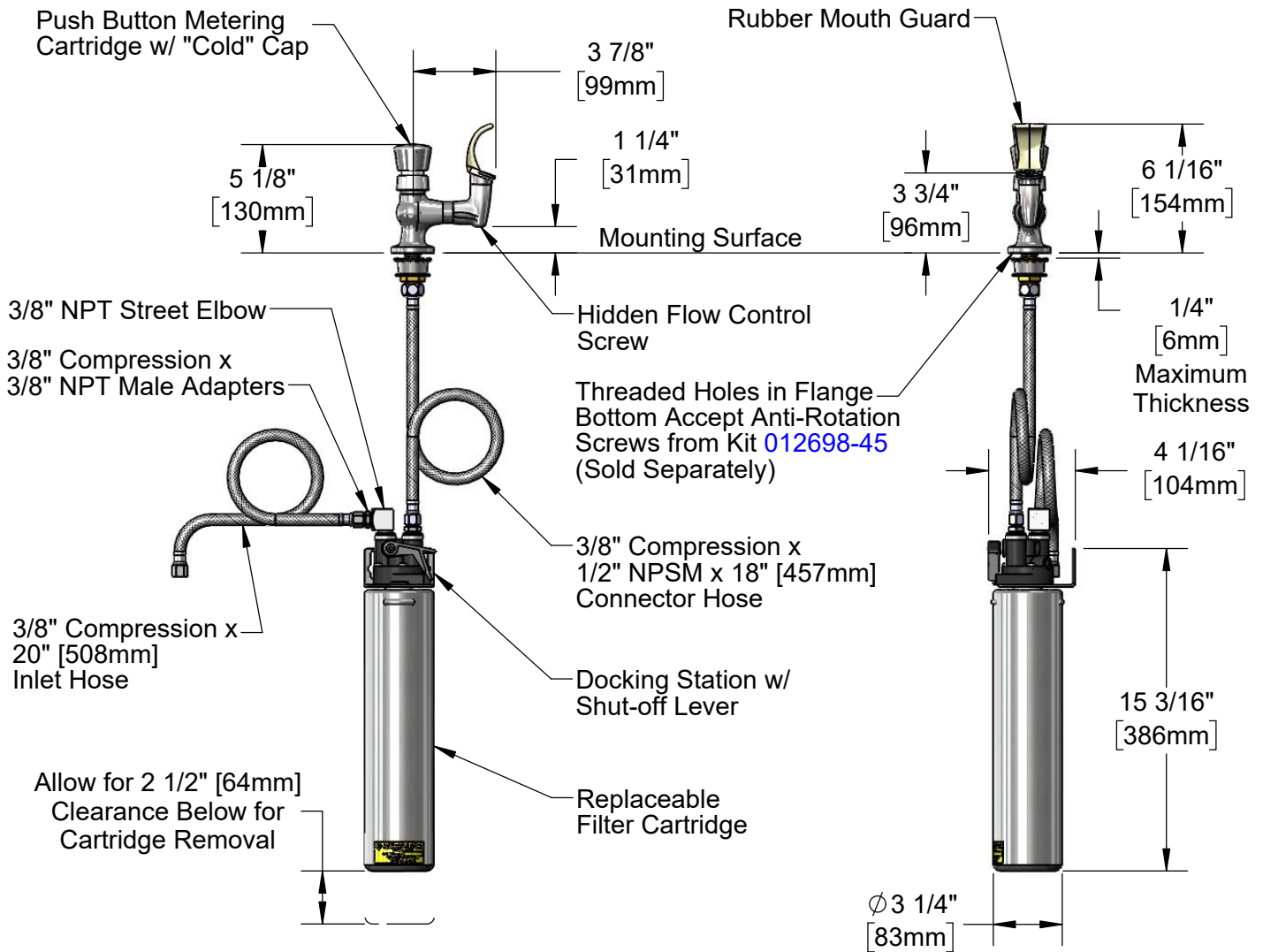
**ADA Compliant**

Furnished w/ Spanner Bit for Access to Metering Adjustment (Metering Adjustment Requires 3/32" Hex Key)



This Space for Architect/Engineer Approval

Job Name \_\_\_\_\_ Date \_\_\_\_\_  
 Model Specified \_\_\_\_\_ Quantity \_\_\_\_\_  
 Customer/Wholesaler \_\_\_\_\_  
 Contractor \_\_\_\_\_  
 Architect/Engineer \_\_\_\_\_



Rough-In Requirement:  
 Ø 1" [25mm] Mounting Hole

Product Specifications:  
 Push Button Metering Bubbler w/ Water Filtration Kit

Product Compliance:  
 ASME A112.18.1 / CSA B125.1  
 NSF 61 - Section 9  
 NSF 372 (Low Lead Content)  
 ANSI A117.1 (ADA)



# T&S BRASS AND BRONZE WORKS, INC.

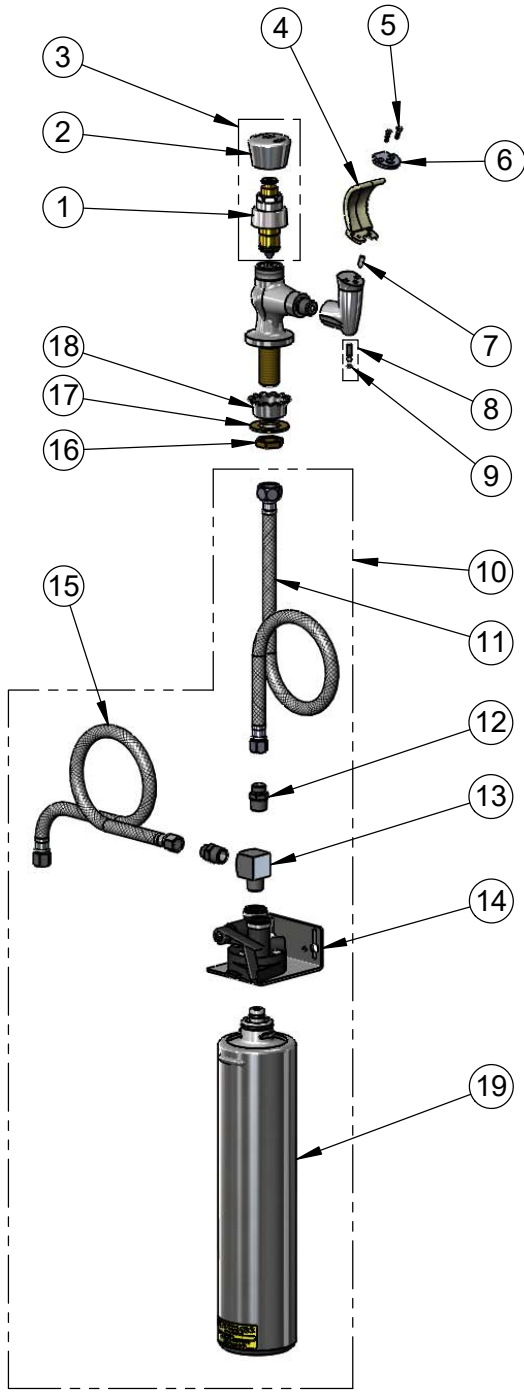
2 Saddleback Cove / P.O. Box 1088  
Travelers Rest, SC 29690

Model No.

**B-2360-01-WFK**

Item No.

Travelers Rest, SC: 800-476-4103 • Simi Valley, CA: 800-423-0150 • Fax: 864-834-3518 • www.tsbrass.com



ITEM NO.	SALES NO.	DESCRIPTION
1	238A	Push Button Metering Cartridge
2	014195-40	Cold Push Button Cap w/ Spanner Bit
3	238AC	Metering Cartridge w/ Cold Push Button Cap & Spanner Bit
4	009595-45	Rubber Mouth Guard
5	009598-45	Mouth Guard Screw
6	009596-40	Mouth Guard Holder
7	009594-45	Flow Straightener
8	012697-45	Flow Control Screw
9	015319-45	O-Ring
10	B-WFK	Water Filtration Kit
11	5EF-0005	Supply Hose, 9/16-24 Female x 1/2" NPSM
12	006101-45	Adapter, 3/8" NPT x 9/16"-24 UN Male
13	148X	3/8 Street Elbow
14	B-WFDS	Water Filtration Docking Station
15	013146-45	Supply Hose, 9/16-24 Fem (3/8" Comp)
16	002954-45	Shank Lock Nut
17	000999-45	Brass Lock Washer
18	001000-45	Rosette Washer
19	B-WFC	Filter Cartridge



**014075-45**  
#10 Spanner Bit  
for VR Screw

Product Specifications:  
Push Button Metering Bubbler w/ Water Filtration Kit

Product Compliance:  
ASME A112.18.1 / CSA B125.1  
NSF 61 - Section 9  
NSF 372 (Low Lead Content)  
ANSI A117.1 (ADA)