



**T&S BRASS AND BRONZE WORKS, INC.**  
 2 Saddleback Cove / P.O. Box 1088  
 Travelers Rest, SC 29690

Model No.

**B-2360-01-PA**

Item No.

Travelers Rest, SC: 800-476-4103 • Simi Valley, CA: 800-423-0150 • Fax: 864-834-3518 • www.tsbrass.com

This Space for Architect/Engineer Approval

Job Name \_\_\_\_\_ Date \_\_\_\_\_

Model Specified \_\_\_\_\_ Quantity \_\_\_\_\_

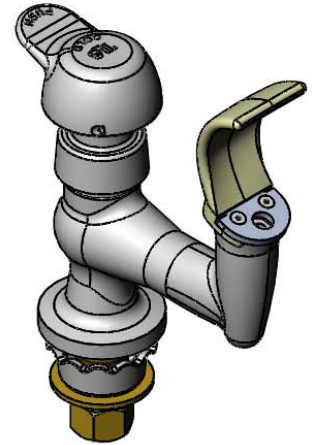
Customer/Wholesaler \_\_\_\_\_

Contractor \_\_\_\_\_

Architect/Engineer \_\_\_\_\_

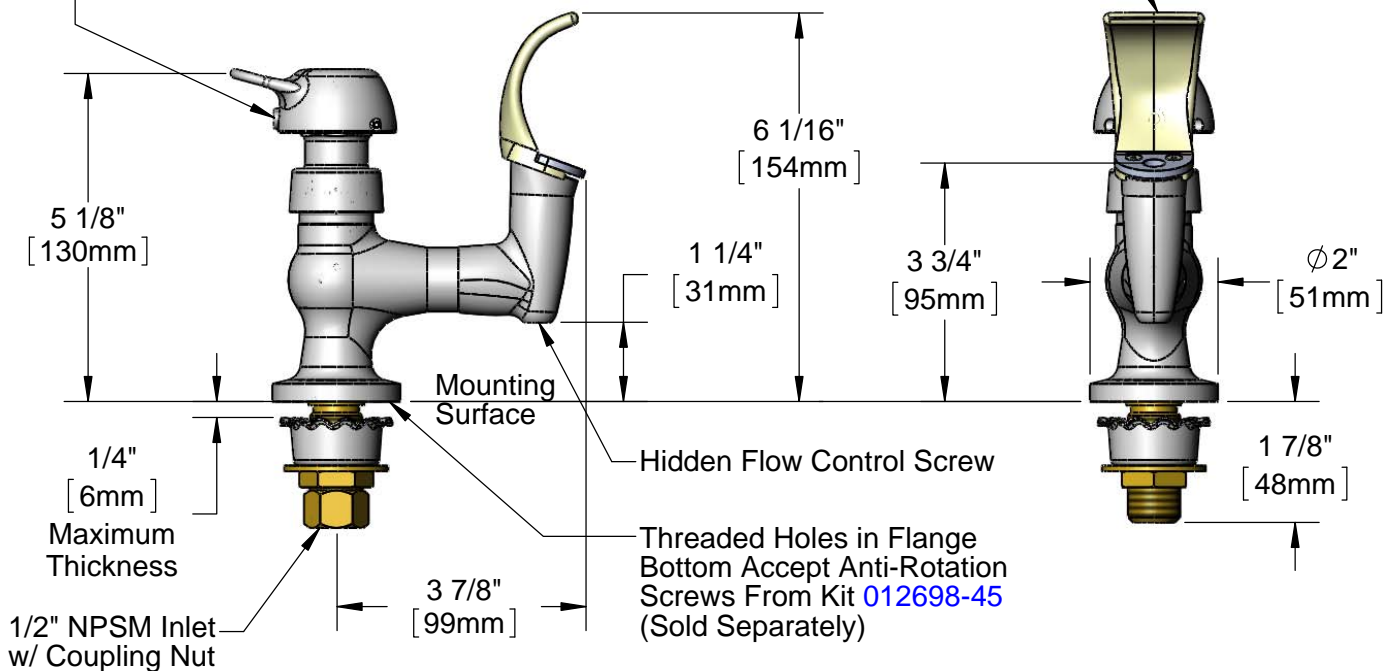


**ADA Compliant**



Furnished w/ Spanner Bit for Vandal Resistant Screw.

Vandal Resistant Screw. Loosen Screw (Do Not Remove) and Flip Handle Up to Access Metering Adjustment. (Metering Adjustment Requires 3/32" Hex Key)



Rough-In Requirement:  
 $\phi$ 1" [25mm] Mounting Hole

Product Specifications:  
 Bubbler w/ Rubber Mouth Guard, Pivot Action Metering Cartridge w/ "Cold" Handle & 1/2" NPSM Inlet w/ Coupling Nut

Drawn <b>DMH</b>	Checked <b>DHL</b>	Approved <b>JHB</b>
Scale: <b>1:3</b>		Date: <b>12/13/12</b>



# T&S BRASS AND BRONZE WORKS, INC.

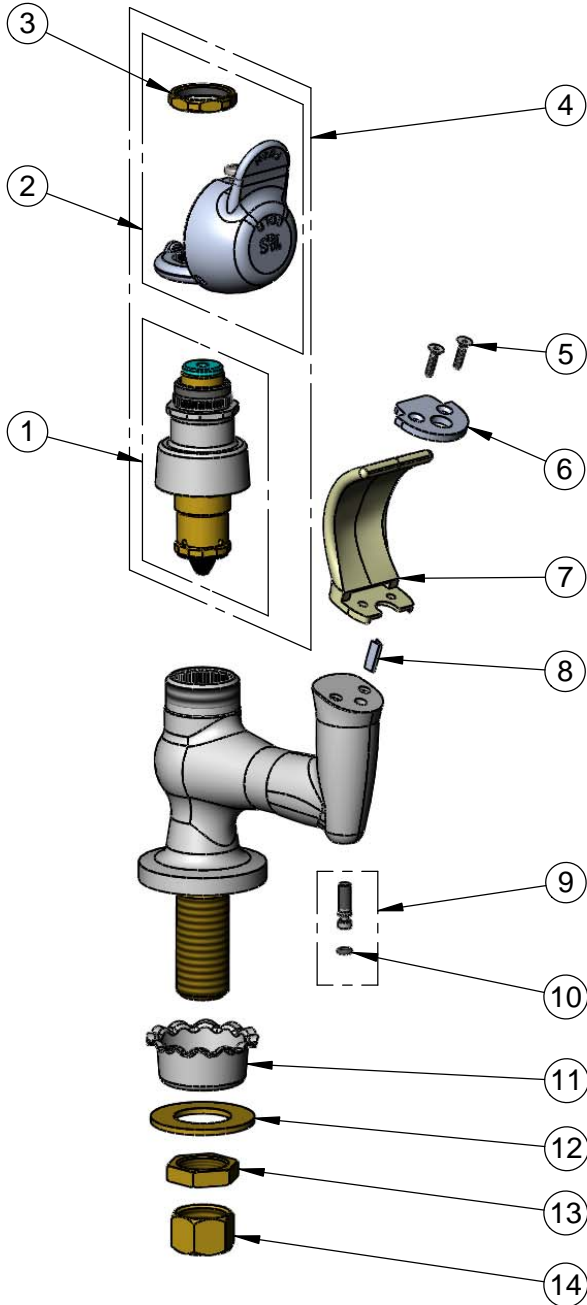
2 Saddleback Cove / P.O. Box 1088  
Travelers Rest, SC 29690

Model No.

**B-2360-01-PA**

Item No.

Travelers Rest, SC: 800-476-4103 • Simi Valley, CA: 800-423-0150 • Fax: 864-834-3518 • www.tsbrass.com



ITEM NO.	SALES NO.	DESCRIPTION
1	238A-PA	Pivot Action Metering Cartridge w/ Retaining Nut
2	PA-C	Cold Pivot Action Handle w/ Retaining Nut & Spanner Bit
3	PA-N	Retaining Nut
4	238AC-PA	Pivot Action Metering Cartridge w/ Cold Pivot Action Handle, Retaining Nut & Spanner Bit
5	009598-45	Mouth Guard Screw
6	009596-40	Mouth Guard Holder
7	009595-45	Rubber Mouth Guard
8	009594-45	Flow Straightener
9	012697-45	Flow Control Screw
10	015319-45	O-Ring
11	001000-45	Rosette Washer
12	000999-45	Brass Lock Washer
13	002954-45	Shank Lock Nut
14	000958-20	Coupling Nut



Spanner Bit for  
Vandal Resistant Screw  
014734-45



Pivot Action Handle  
Vandal Resistant Screw  
016654-45

**Product Specifications:**

Bubbler w/ Rubber Mouth Guard, Pivot Action Metering Cartridge w/ "Cold" Handle & 1/2" NPSM Inlet w/ Coupling Nut

Drawn

**DMH**

Checked

**DHL**

Approved

**JHB**

Scale:

**NTS**

Date:

**12/13/12**