



T&S BRASS AND BRONZE WORKS, INC.
 2 Saddleback Cove / P.O. Box 1088
 Travelers Rest, SC 29690

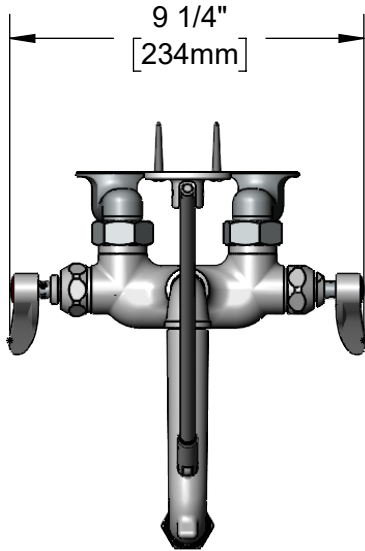
Model No.
B-2345-NPT

Item No.

Travelers Rest, SC: 800-476-4103 • Simi Valley, CA: 800-423-0150 • Fax: 864-834-3518 • www.tsbrass.com



ADA Compliant



This Space for Architect/Engineer Approval

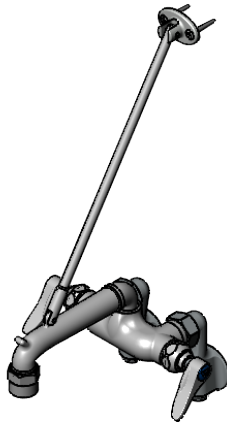
Job Name _____ Date _____

Model Specified _____ Quantity _____

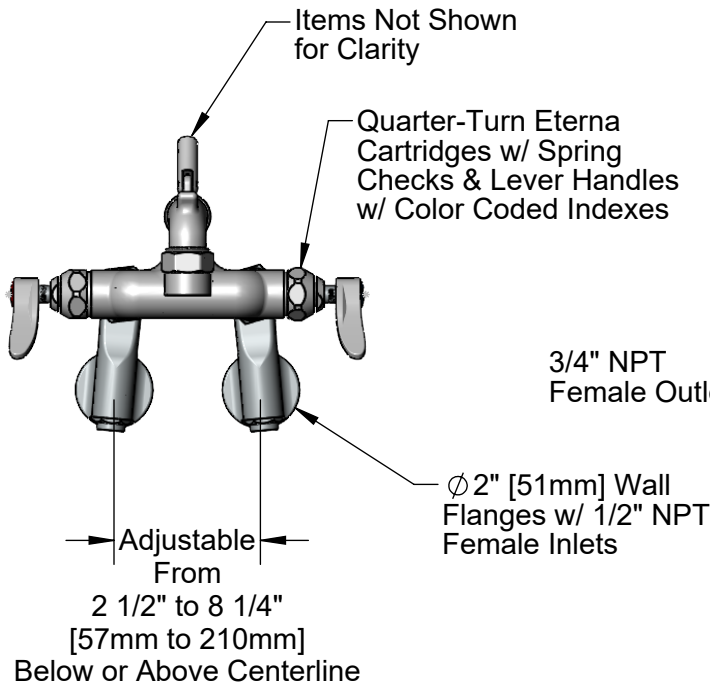
Customer/Wholesaler _____

Contractor _____

Architect/Engineer _____

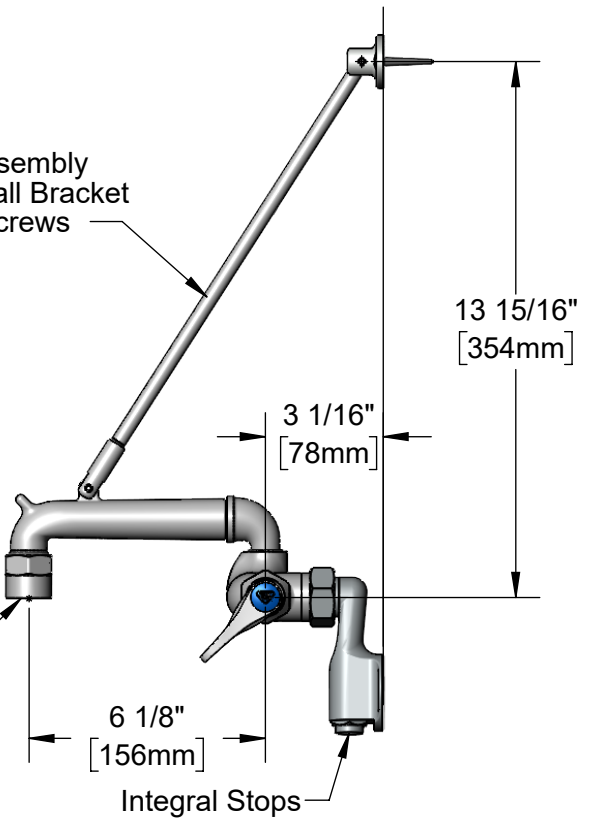


Support Rod Assembly
 Furnished w/ Wall Bracket
 and Mounting Screws



3/4" NPT Female Outlet

Ø2" [51mm] Wall Flanges w/ 1/2" NPT Female Inlets



Product Specifications:

Service Sink Faucet, Polished Chrome, Quarter-Turn Eterna Cartridges w/ Spring Checks, Lever Handles, Wall Support, Cast Spout w/ 3/4" Garden Hose Female x 3/4" NPT Female Adapter & 1/2" NPT Adjustable Arm Inlets w/ Integral Stops

Product Compliance:

ASME A112.18.1 / CSA B125.1
 NSF 61 - Section 9
 NSF 372 (Low Lead Content)
 ANSI A117.1 (ADA)



T&S BRASS AND BRONZE WORKS, INC.

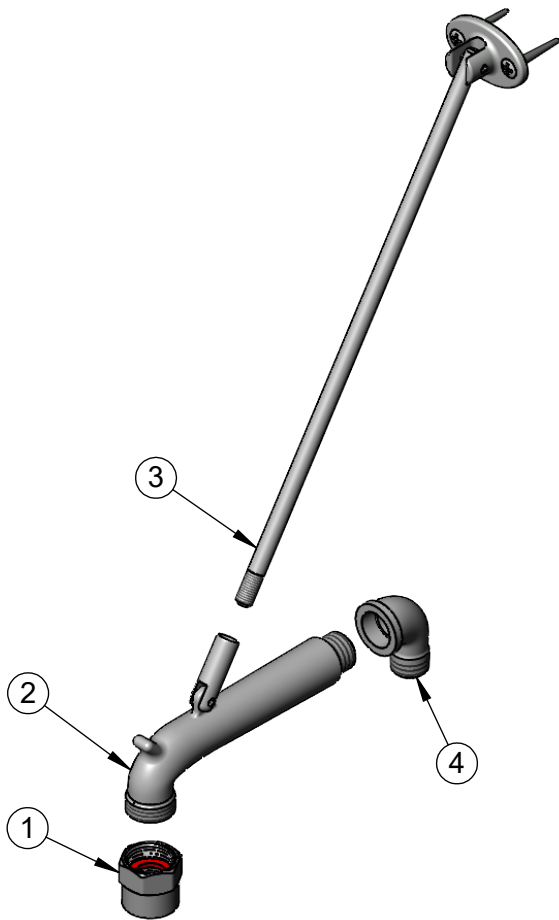
2 Saddleback Cove / P.O. Box 1088
Travelers Rest, SC 29690

Model No.

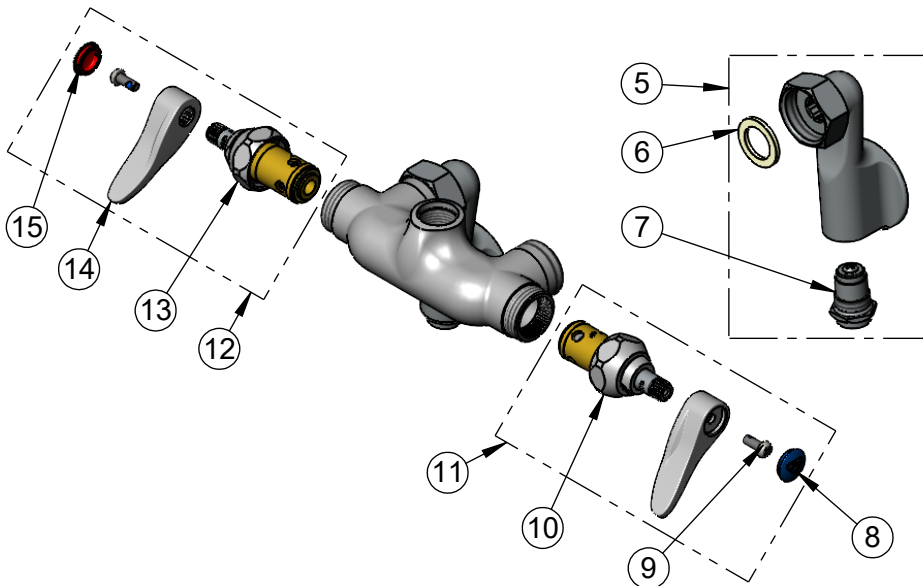
B-2345-NPT

Item No.

Travelers Rest, SC: 800-476-4103 • Simi Valley, CA: 800-423-0150 • Fax: 864-834-3518 • www.tsbrass.com



ITEM NO.	SALES NO.	DESCRIPTION
1	021332-25	Adapter, 3/4" FNPT x 3/4" GH Female w/ Washer
2	009545-40	Cast Spout w/ Top Clevis, Polished Chrome
3	009546-40	Suprt Rod B-0665 - Polish Chrome
4	150X	1/2" NPT Street Elbow
5	00XX	1/2" NPT Female Adjustable Arm Inlet w/ Screwdriver Stop
6	001019-45	Coupling Nut Washer
7	163A	Built-in Service Stop
8	018506-19NS	Blue Button Index, Press-in
9	000925-45	Lab Handle Screw
10	012442-40NS	Quarter-Turn Eterna Cartridge w/ Spring Check, LTC
11	002711-40NS	Quarter-Turn Eterna Cartridge w/ Spring Check, Handle, Blue Index & Screw, LTC
12	002712-40NS	Quarter-Turn Eterna Cartridge w/ Spring Check, Handle, Red Index & Screw, RTC
13	012443-40NS	Quarter-Turn Eterna Cartridge w/ Spring Check, RTC
14	001638-45NS	Lever Handle (New Style)
15	001193-19NS	Red Button Index, Press-in



Product Specifications:

Service Sink Faucet, Polished Chrome, Quarter-Turn Eterna Cartridges w/ Spring Checks, Lever Handles, Wall Support, Cast Spout w/ 3/4" Garden Hose Female x 3/4" NPT Female Adapter & 1/2" NPT Adjustable Arm Inlets w/ Integral Stops

Product Compliance:

ASME A112.18.1 / CSA B125.1
NSF 61 - Section 9
NSF 372 (Low Lead Content)
ANSI A117.1 (ADA)