



T&S BRASS AND BRONZE WORKS, INC.
 2 Saddleback Cove / P.O. Box 1088
 Travelers Rest, SC 29690

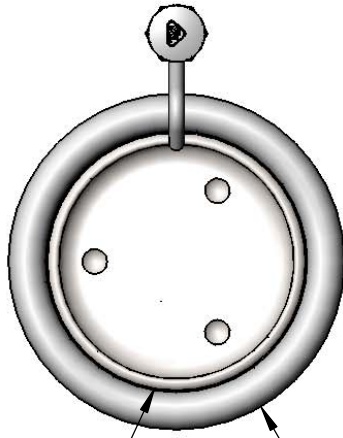
Model No.
B-2282-01

Item No.

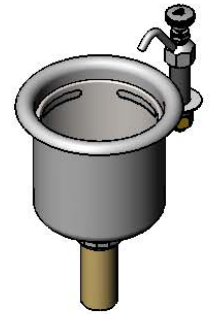
Travelers Rest, SC: 800-476-4103 • Simi Valley, CA: 800-423-0150 • Fax: 864-834-3518 • www.tsbrass.com

This Space for Architect/Engineer Approval

Job Name _____ Date _____
 Model Specified _____ Quantity _____
 Customer/Wholesaler _____
 Contractor _____
 Architect/Engineer _____



Removable Inner Overflow Cup
 $\phi 7''$ [178mm]



Solid Brass Knob,
 Polish Chrome Plated

2 5/8" [67mm]
 Maximum Open

2 5/16" [58mm]

2" [51mm]
 Maximum Thickness

5 1/4" [133mm]

9 7/8" [251mm]

3 7/16" [87mm]

$\phi 5 1/2''$ [140mm]

$\phi 1 1/2''$ [38mm]
 Brass Tube

5/16" I.D. for
 Sweat Fitting or
 Remove Coupling
 for 1/2" NPSM
 Male Shank

4 3/4" [121mm]

Rough-In Requirement:
 Faucet: $\phi 7/8''$ [22mm] Mounting Hole
 Stainless Steel Bowl: $\phi 5 3/4''$ [146mm] Mounting Hole

Product Specifications:
 Dipperwell Faucet w/ Drain, Stainless Steel Bowl & Inner Overflow Cup

Product Compliance:
 ASME A112.18.1 / CSA B125.1
 NSF 61 - Section 9
 NSF 372 (Low Lead Content)



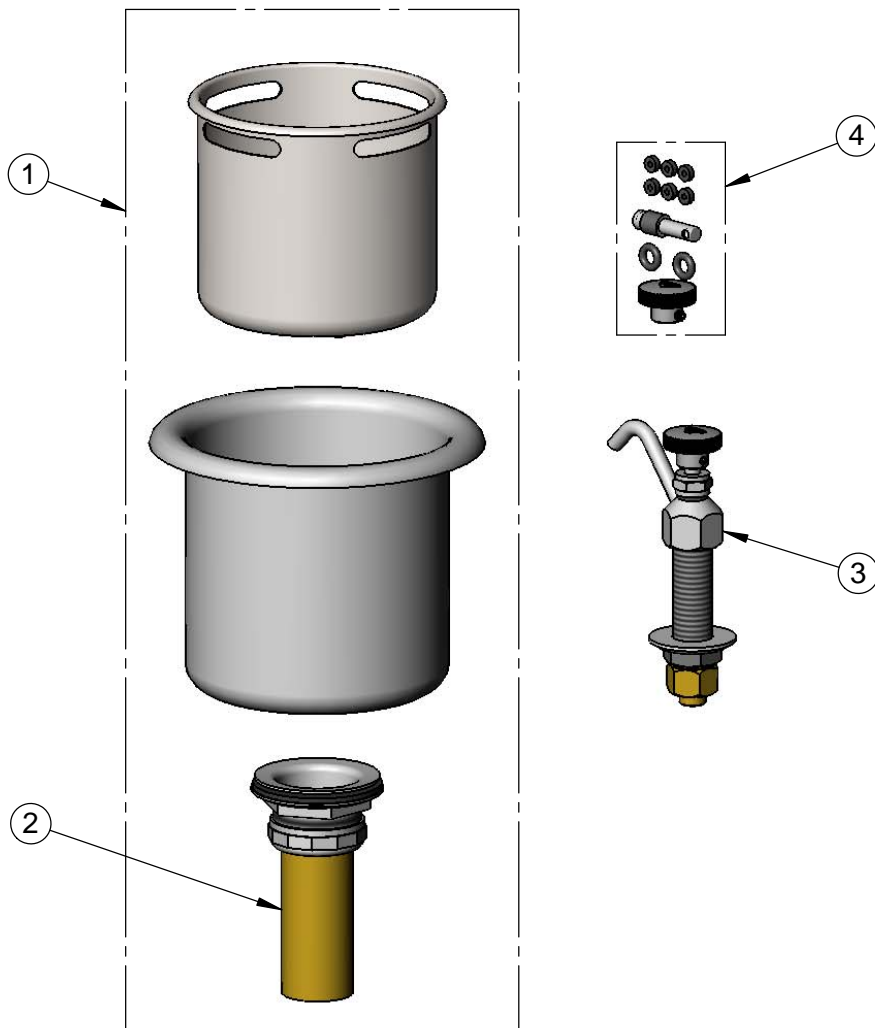
T&S BRASS AND BRONZE WORKS, INC.
 2 Saddleback Cove / P.O. Box 1088
 Travelers Rest, SC 29690

Model No.
B-2282-01

Item No.

Travelers Rest, SC: 800-476-4103 • Simi Valley, CA: 800-423-0150 • Fax: 864-834-3518 • www.tsbrass.com

ITEM NO.	SALES NO.	DESCRIPTION
1	006678-45	Dipperwell w/ Stainless Steel Overflow Cup & Drain
2	017225-45	Dipperwell Drain
3	B-2282	Dipperwell Faucet
4	B-2282-RK	Parts Kit for Dipperwell



Product Specifications:
 Dipperwell Faucet w/ Drain, Stainless Steel Bowl & Inner Overflow Cup

Product Compliance:
 ASME A112.18.1 / CSA B125.1
 NSF 61 - Section 9
 NSF 372 (Low Lead Content)