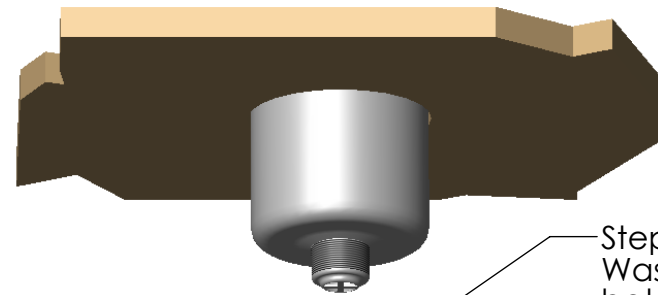


Step 1: Place Larger of (2) Bowls through Counter. Opening size to be  $\varnothing$  5 3/4". Apply Plumber's Putty between Bowl & Countertop

Step 2: Add 1/4" String of Plumber's Putty to Underside of Drain Grid and press firmly around drain face. Place Drain Grid into bottom of Bowl and Press firmly to seal against Bowl.



DETAIL A  
SCALE 1 : 3



Step 3: Place Rubber Washer against bottom of Bowl

Step 4: Place Fiber Washer against Rubber Washer

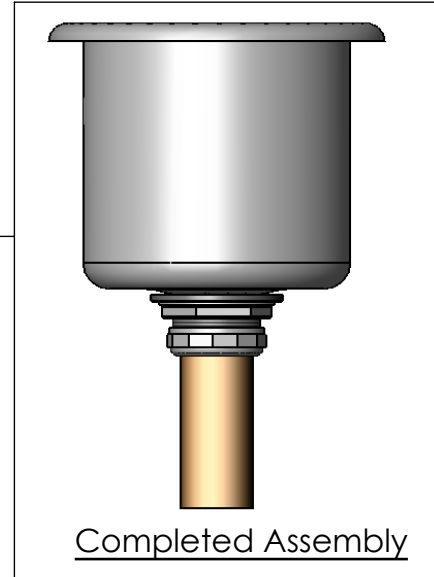
Step 5: Screw Lock Nut onto Threaded Drain Grid to hold Washers in place

Step 6: Place Nylon Bushing into Brass Tailpiece

Step 7: Place Bushing & Tailpiece Firmly up against Drain Grid.

Step 9: Place Smaller Overflow Bowl (not shown) into Larger Bowl.

Step 8: Slide Compression Nut over Brass Tailpiece & Tighten up to Drain Grid



Completed Assembly

# Dipperwell Bowl Installation Card