



# T&S BRASS AND BRONZE WORKS, INC.

2 Saddleback Cove / P.O. Box 1088  
Travelers Rest, SC 29690

Model No.

**B-2278-CR**

Item No.

Travelers Rest, SC: 800-476-4103 • Simi Valley, CA: 800-423-0150 • Fax: 864-834-3518 • www.tsbrass.com

This Space for Architect/Engineer Approval

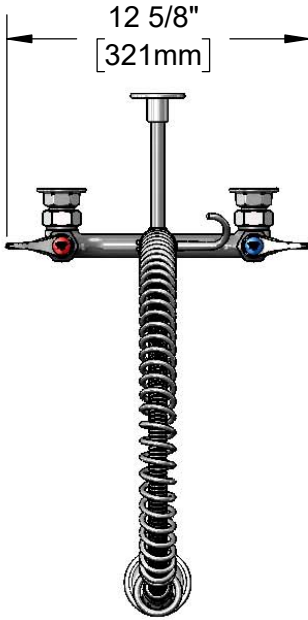
Job Name \_\_\_\_\_ Date \_\_\_\_\_

Model Specified \_\_\_\_\_ Quantity \_\_\_\_\_

Customer/Wholesaler \_\_\_\_\_

Contractor \_\_\_\_\_

Architect/Engineer \_\_\_\_\_



44" Flexible Stainless Steel Hose w/ Spring & Spray Valve

Items Not Shown For Clarity

Finger Hook

3/8" NPT x 18" Riser

Quarter-Turn Cerama Cartridges w/ Check Valves & Lever Handles w/ Color Coded Indexes

**B-0970-FEZ**  
EasyInstall Vacuum Breaker w/ Lock Nut & Bushing

3 11/16" [93mm]

8" [203mm]

Adjustable From 7 3/4" to 8 1/4" [197mm to 210mm]

7 3/8" [187mm]

14 1/16" [357mm]

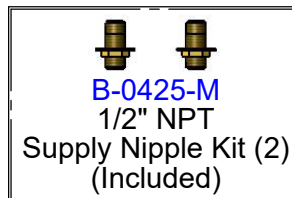
**B-0107**  
1.15 GPM Spray Valve

**B-0109-01**  
6" Wall Bracket

36 7/8" [937mm]

Ø 2" [51mm] Flanges w/ 1/2" NPT Female Inlets

Mounting Surface



Rough-In Requirement:  
(2) Ø 1" [25mm] Mounting Holes

**Product Specifications:**

Pre-Rinse Unit: EasyInstall 8" Wall Mount Mixing Faucet, Quarter-Turn Cerama Cartridges w/ Check Valves, Lever Handles, 3/8" NPT Vacuum Breaker, 6" Wall Bracket, 44" Flexible Stainless Steel Hose, 1.15 GPM Spray Valve & 1/2" NPT Female Inlets w/ 1/2" NPT Male Nipple Kit

**Product Compliance:**

ASME A112.18.1 / CSA B125.1  
NSF 61 - Section 9  
NSF 372 (Low Lead Content)  
2019 DOE PRSV - Class II  
CSA B64.8 (VB)



# T&S BRASS AND BRONZE WORKS, INC.

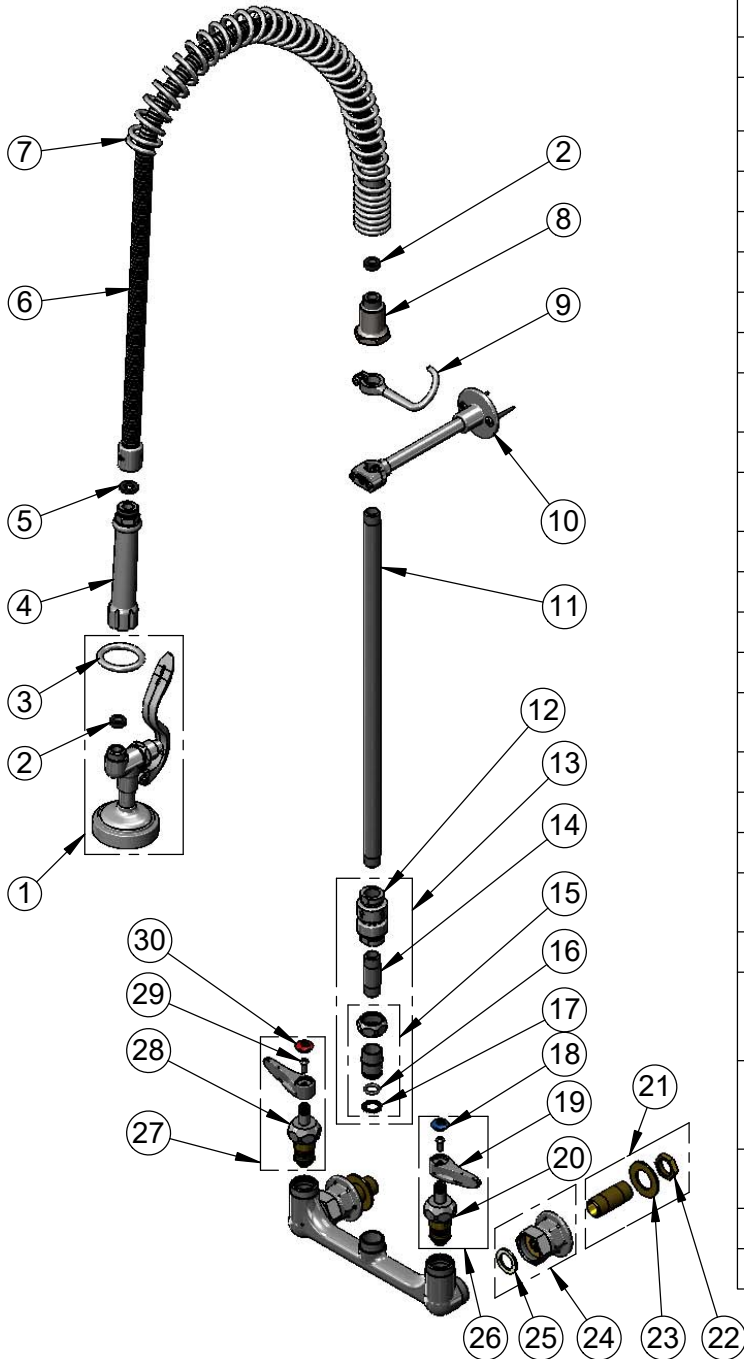
2 Saddleback Cove / P.O. Box 1088  
Travelers Rest, SC 29690

Model No.

**B-2278-CR**

Item No.

Travelers Rest, SC: 800-476-4103 • Simi Valley, CA: 800-423-0150 • Fax: 864-834-3518 • www.tsbrass.com



| ITEM NO. | SALES NO.   | DESCRIPTION   |
|----------|-------------|---|
| 1        | B-0107      | 1.15 GPM Spray Valve  |
| 2        | 010476-45   | #27 Washer  |
| 3        | 000907-45   | Spray Valve Hold Down Ring  |
| 4        | 002987-40   | Grip Handle   |
| 5        | 001014-45   | Washer, B-0100 Hose Barrel  |
| 6        | B-0044-H2A  | 44" Flexible Stainless Steel Hose, Less Handle                                |
| 7        | 000888-45   | EasyInstall Overhead Spring   |
| 8        | 000821-40   | Spring Body   |
| 9        | 004R        | Finger Hook   |
| 10       | B-0109-01   | 6" Wall Bracket   |
| 11       | 000369-40   | 3/8" NPT x 18" Riser  |
| 12       | B-0970-FE   | 3/8" NPT Vacuum Breaker   |
| 13       | B-0970-FEZ  | EasyInstall 3/8" NPT Vacuum Breaker   |
| 14       | 000357-40   | 3/8" NPT x 2" Riser   |
| 15       | EZ-K        | EasyInstall Kit: Nut, Bushing, O-Ring & Lock Washer                           |
| 16       | 001065-45   | O-Ring  |
| 17       | 014200-45   | Star Washer, Anti-Rotation  |
| 18       | 018506-19NS | Blue Button Index, Press-in   |
| 19       | 001638-45NS | Lever Handle (New Style)  |
| 20       | 012395-25NS | Quarter-Turn Cerama Cartridge w/ Check Valve, LTC                             |
| 21       | B-0425-M    | 1/2" NPT Supply Nipple Kit (2)  |
| 22       | 002954-45   | Shank Lock Nut  |
| 23       | 000999-45   | Brass Lock Washer   |
| 24       | 00AA        | 1/2" NPT Female Eccentric Flange  |
| 25       | 001019-45   | Coupling Nut Washer   |
| 26       | 012447-25NS | Quarter-Turn Cerama Cartridge w/ Check Valve, Handle, Blue Index & Screw, LTC |
| 27       | 012446-25NS | Quarter-Turn Cerama Cartridge w/ Check Valve, Handle, Red Index & Screw, RTC  |
| 28       | 012394-25NS | Quarter-Turn Cerama Cartridge w/ Check Valve, RTC                             |
| 29       | 000925-45   | Lab Handle Screw  |
| 30       | 001193-19NS | Red Button Index, Press-in  |

**Product Specifications:**

Pre-Rinse Unit: EasyInstall 8" Wall Mount Mixing Faucet, Quarter-Turn Cerama Cartridges w/ Check Valves, Lever Handles, 3/8" NPT Vacuum Breaker, 6" Wall Bracket, 44" Flexible Stainless Steel Hose, 1.15 GPM Spray Valve & 1/2" NPT Female Inlets w/ 1/2" NPT Male Nipple Kit

**Product Compliance:**

ASME A112.18.1 / CSA B125.1  
NSF 61 - Section 9  
NSF 372 (Low Lead Content)  
2019 DOE PRSV - Class II  
CSA B64.8 (VB)