

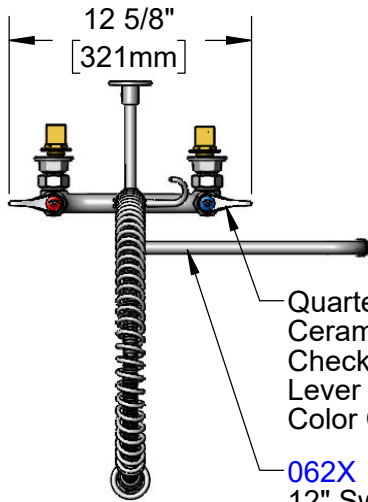


**T&S BRASS AND BRONZE WORKS, INC.**  
 2 Saddleback Cove / P.O. Box 1088  
 Travelers Rest, SC 29690

Model No.  
**B-2278-A12CRCEL**

Item No.

Travelers Rest, SC: 800-476-4103 • Simi Valley, CA: 800-423-0150 • Fax: 864-834-3518 • www.tsbrass.com



Quarter-Turn  
 Cerama Cartridges w/  
 Check Valves &  
 Lever Handles w/  
 Color Coded Indexes

**062X**  
 12" Swing Nozzle w/  
 Stream Regulator Outlet



This Space for Architect/Engineer Approval

Job Name \_\_\_\_\_ Date \_\_\_\_\_

Model Specified \_\_\_\_\_ Quantity \_\_\_\_\_

Customer/Wholesaler \_\_\_\_\_

Contractor \_\_\_\_\_

Architect/Engineer \_\_\_\_\_

44" Flexible Stainless  
 Steel Hose w/ Spring &  
 Spray Valve

Items Not Shown  
 For Clarity  
 3/8" NPT x 18" Riser  
 Finger Hook

**B-0107-C**  
 0.65 GPM  
 Low Flow  
 Spray Valve

**B-0109-01**  
 Wall  
 Bracket

Add-On Faucet  
 w/ Quarter-Turn  
 Cerama Cartridge  
 & Lever Handle

**B-0970-FEZ**  
 EasyInstall  
 Vacuum  
 Breaker  
 w/ Lock Nut  
 & Bushing

3 11/16"  
 [93mm]

8"  
 [203mm]  
 Adjustable From  
 7 3/4" to 8 1/4"  
 [197mm to 210mm]

12"  
 [305mm]

15 9/16"  
 [396mm]

12 7/16"  
 [316mm]

11 5/8"  
 [296mm]

41 7/16"  
 [1053mm]

14 1/16"  
 [357mm]

Mounting  
 Surface

Ø 2" [51mm]  
 Flanges w/ 1/2"  
 NPT Female w/  
 Out Elbows

Product Specifications:

EasyInstall Pre-Rinse Unit: 8" Wall Mount Faucet, Short El w/ 1/2" NPT Female Inlets, 18" Riser, Vacuum Breaker, Add-On Faucet w/ 12" Swing Nozzle, 44" Flexible Stainless Steel Hose w/ 0.65 GPM Low Flow Spray Valve & 6" Wall Support

Product Compliance:

ASME A112.18.1 / CSA B125.1  
 NSF 61 - Section 9  
 NSF 372 (Low Lead Content)  
 2019 DOE PRSV - Class I  
 CSA B64.8 (VB)



# T&S BRASS AND BRONZE WORKS, INC.

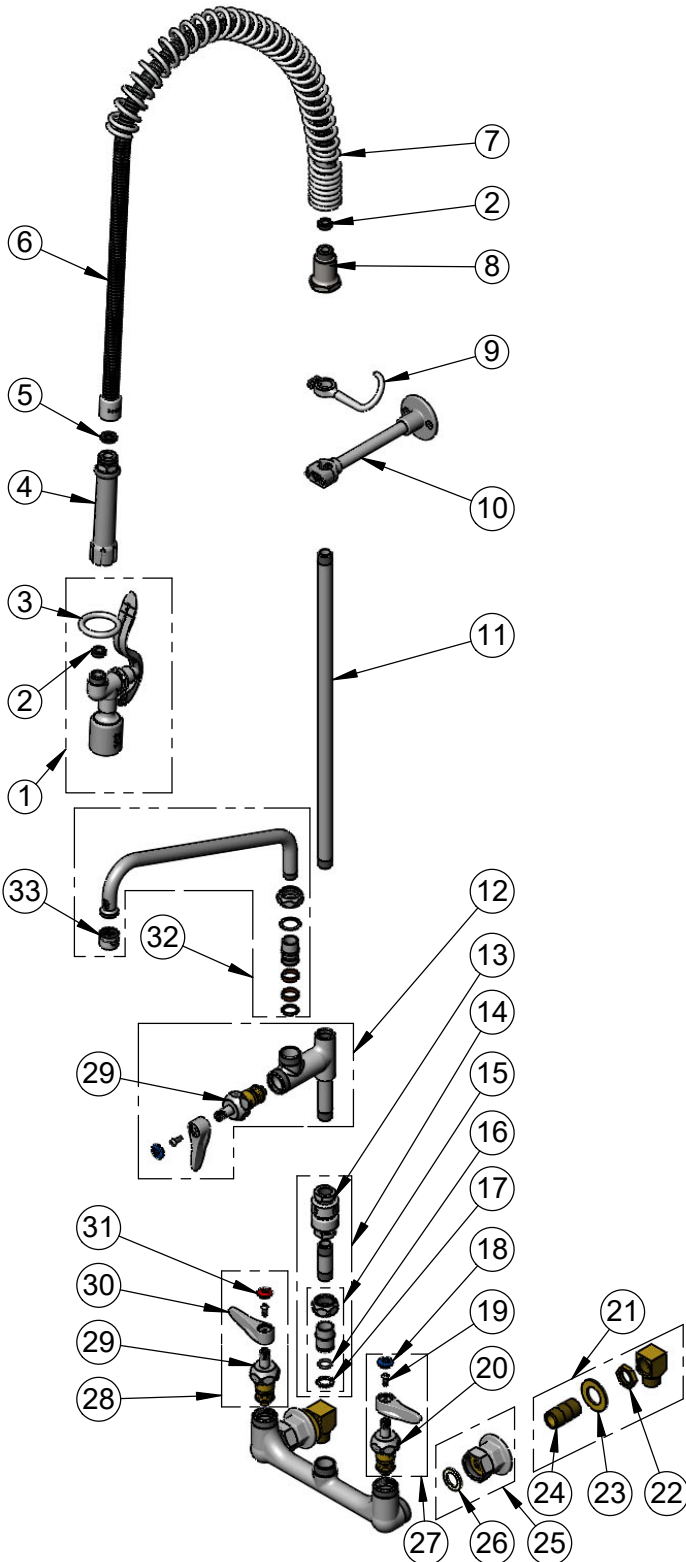
2 Saddleback Cove / P.O. Box 1088  
Travelers Rest, SC 29690

Model No.

**B-2278-A12CRCEL**

Item No.

Travelers Rest, SC: 800-476-4103 • Simi Valley, CA: 800-423-0150 • Fax: 864-834-3518 • www.tsbrass.com



ITEM NO.	SALES NO.	DESCRIPTION
1	B-0107-C	0.65 GPM Low Flow Spray Valve
2	010476-45	#27 Washer
3	000907-45	Spray Valve Hold Down Ring
4	002987-40	Grip Handle
5	001014-45	Washer, B-0100 Hose Barrel
6	B-0044-H2A	44" Flexible Stainless Steel Hose Assembly, Less Handle
7	000888-45	EasyInstall Overhead Spring
8	000821-40	Spring Body
9	004R	Finger Hook
10	B-0109-01	6" Wall Bracket
11	000369-40	Nipple, 3/8" NPT x 18"
12	B-0155-CR-LN	Add-On Faucet w/ Quarter-Turn Cerama Cartridge & Lever Handle, Less Nozzle
13	B-0970-FE	3/8" NPT Vacuum Breaker
14	B-0970-FEZ	EasyInstall Vacuum Breaker
15	EZ-K	EasyInstall 3/8" NPT x 2" Riser
16	001065-45	O-Ring
17	014200-45	Star Washer, Anti-Rotation
18	018506-19NS	Blue Button Index, Press-in
19	000925-45	Lab Handle Screw
20	012395-25NS	Quarter-Turn Cerama Cartridge w/ Check Valve, LTC
21	B-0230-K	Short Elbow Installation Kit
22	002954-45	Shank Lock Nut
23	000999-45	Brass Lock Washer
24	013357-20	1/2" NPT x 1-5/8" Lg. Close Nipple
25	00AA	1/2" NPT Female Eccentric Flange
26	001019-45	Coupling Nut Washer
27	012447-25NS	Quarter-Turn Cerama Cartridge w/ Check Valve, Handle, Blue Index & Screw, LTC
28	012446-25NS	Quarter-Turn Cerama Cartridge w/ Check Valve, Handle, Red Index & Screw, RTC
29	012394-25NS	Quarter-Turn Cerama Cartridge w/ Check Valve, RTC
30	001638-45NS	Lever Handle (New Style)
31	001193-19NS	Red Button Index, Press-in
32	062X	12" Swing Nozzle w/ Stream Regulator Outlet
33	B-PT	Full Flow Stream Regulator, 55/64-27

**Product Specifications:**

EasyInstall Pre-Rinse Unit: 8" Wall Mount Faucet, Short El w/ 1/2" NPT Female Inlets, 18" Riser, Vacuum Breaker, Add-On Faucet w/ 12" Swing Nozzle, 44" Flexible Stainless Steel Hose w/ 0.65 GPM Low Flow Spray Valve & 6" Wall Support

**Product Compliance:**

ASME A112.18.1 / CSA B125.1  
NSF 61 - Section 9  
NSF 372 (Low Lead Content)  
2019 DOE PRSV - Class I  
CSA B64.8 (VB)