



# T&S BRASS AND BRONZE WORKS, INC.

2 Saddleback Cove / P.O. Box 1088  
Travelers Rest, SC 29690

Model No.

**B-2255-CR**

Item No.

Travelers Rest, SC: 800-476-4103 • Simi Valley, CA: 800-423-0150 • Fax: 864-834-3518 • www.tsbrass.com

This Space for Architect/Engineer Approval

Job Name \_\_\_\_\_ Date \_\_\_\_\_

Model Specified \_\_\_\_\_ Quantity \_\_\_\_\_

Customer/Wholesaler \_\_\_\_\_

Contractor \_\_\_\_\_

Architect/Engineer \_\_\_\_\_



44" Flexible Stainless Steel Hose w/ Spring & Spray Valve

Items Not Shown For Clarity

Finger Hook

High Flow Spray Valve

**B-0109-01**  
6" Wall Bracket

3/8" NPT x 24" Riser

EasyInstall Lock Nut & Bushing

Quarter-Turn Cerama Cartridge w/ Check Valve & Lever Handle w/ Blue Color Coded Index

2 7/16" [62mm]

Ø 2" [51mm] Flange w/ 1/2" NPSM Male Inlet

13 1/2" [343mm]

Mounting Surface

**150A**  
Optional Tailpiece & Nut For 1/4" NPT Connection (Included)

14" [356mm]

42 9/16" [1081mm]

1 5/8" [41mm]  
Maximum Thickness

Rough-In Requirement:  
Ø 1" [25mm] Mounting Hole

Product Specifications:  
Single Pantry Filling Station w/ 1/2" NPSM Male Shank, Quarter-Turn Cerama Cartridge w/ Check Valve, 44" Flexible Stainless Steel Hose and High Flow Spray Valve

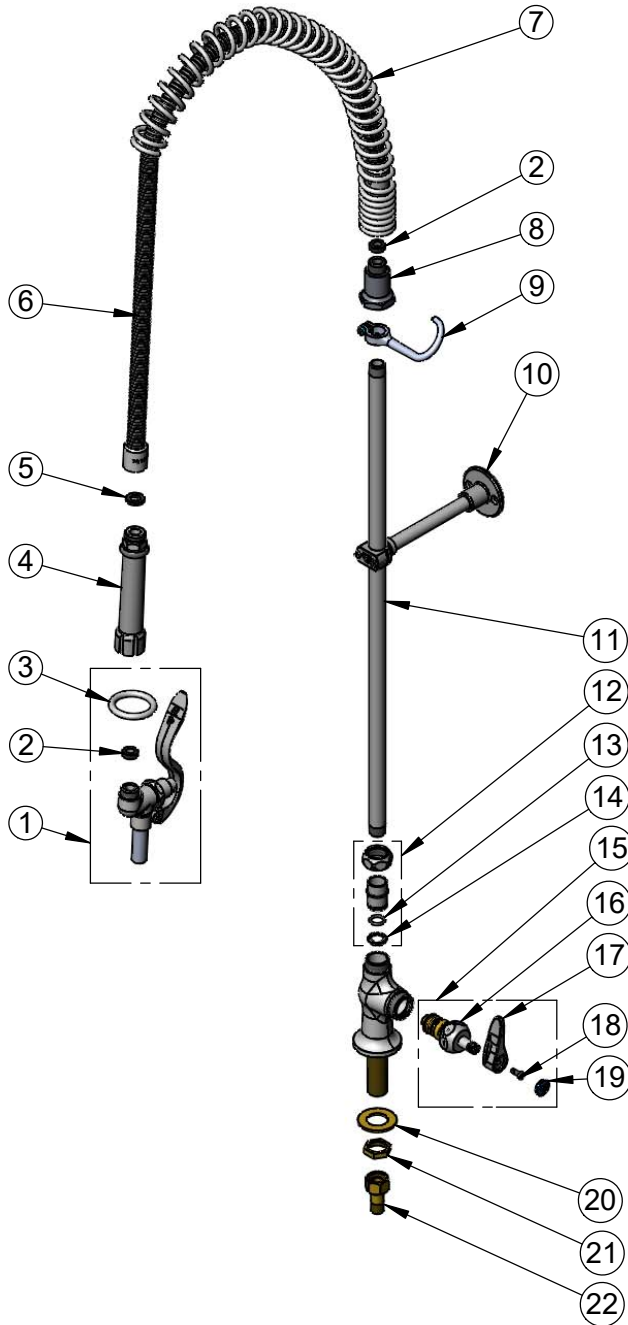
Product Compliance:  
ASME A112.18.1 / CSA B125.1  
NSF 61 - Section 9  
NSF 372 (Low Lead Content)  
2019 DOE PRSV Non-Compliant



**T&S BRASS AND BRONZE WORKS, INC.**  
 2 Saddleback Cove / P.O. Box 1088  
 Travelers Rest, SC 29690

Model No.  
**B-2255-CR**  
 Item No.

Travelers Rest, SC: 800-476-4103 • Simi Valley, CA: 800-423-0150 • Fax: 864-834-3518 • www.tsbrass.com



ITEM NO.	SALES NO.	DESCRIPTION
1	002864-40	Self Closing Spray Valve w/ Plain End Straight Nozzle
2	010476-45	#27 Washer
3	000907-45	Spray Valve Hold Down Ring
4	002987-40	Grip Handle
5	001014-45	Washer, B-0100 Hose Barrel
6	B-0044-H2A	44" Flexible Stainless Steel Hose, Less Handle
7	000888-45	EasyInstall Overhead Spring
8	000821-40	Spring Body
9	004R	Finger Hook
10	B-0109-01	6" Wall Bracket Body
11	000372-40	3/8" NPT x 24" Riser
12	EZ-K	EasyInstall Kit: Nut, Bushing, O-ring & Lock Washer
13	001065-45	O-Ring
14	014200-45	Star Washer, Anti-Rotation
15	019641-25	Quarter-Turn Cerama Cartridge RTC w/ Check Valve, Handle, Blue Index & Screw
16	012394-25NS	Quarter-Turn Cerama Cartridge w/ Check Valve, RTC
17	001638-45NS	Lever Handle (New Style)
18	000925-45	Lab Handle Screw
19	018506-19NS	Blue Button Index, Press-in
20	000999-45	Brass Lock Washer
21	002954-45	Shank Lock Nut
22	150A	1/4" NPT Tailpiece & Nut

Product Specifications:  
 Single Pantry Filling Station w/ 1/2" NPSM Male Shank, Quarter-Turn Cerama Cartridge w/ Check Valve, 44" Flexible Stainless Steel Hose and High Flow Spray Valve

Product Compliance:  
 ASME A112.18.1 / CSA B125.1  
 NSF 61 - Section 9  
 NSF 372 (Low Lead Content)  
 2019 DOE PRSV Non-Compliant