



T&S BRASS AND BRONZE WORKS, INC.
 2 Saddleback Cove / P.O. Box 1088
 Travelers Rest, SC 29690

Model No.
B-2245-LN

Item No.

Travelers Rest, SC: 800-476-4103 • Simi Valley, CA: 800-423-0150 • Fax: 864-834-3518 • www.tsbrass.com



ADA Compliant

This Space for Architect/Engineer Approval

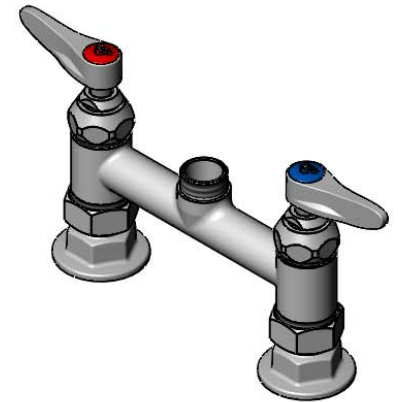
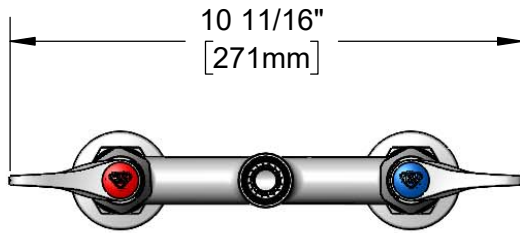
Job Name _____ Date _____

Model Specified _____ Quantity _____

Customer/Wholesaler _____

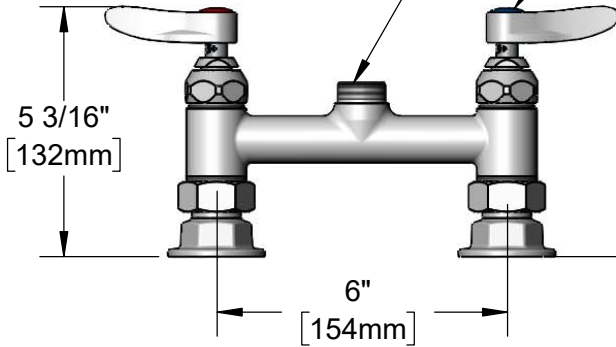
Contractor _____

Architect/Engineer _____



Swivel Outlet Accepts Standard T&S Swing Nozzles and EasyInstall Risers

Quarter-Turn Eterna Cartridges w/ Spring Checks & Lever Handles w/ Color Coded Indexes



Mounting Surface

Adjustable from 5 3/4" to 6 1/4" [146mm to 159mm]

Ø2" [51mm] Flanges w/ 1/2" NPT Female Inlets

Product Specifications:

6" Deck Mount Mixing Faucet (Less Nozzle), Quarter-Turn Eterna Cartridges w/ Spring Checks, Lever Handles & 1/2" NPT Female Inlets

Product Compliance:

ASME A112.18.1 / CSA B125.1
 NSF 61 - Section 9
 NSF 372 (Low Lead Content)
 ANSI A117.1 (ADA)



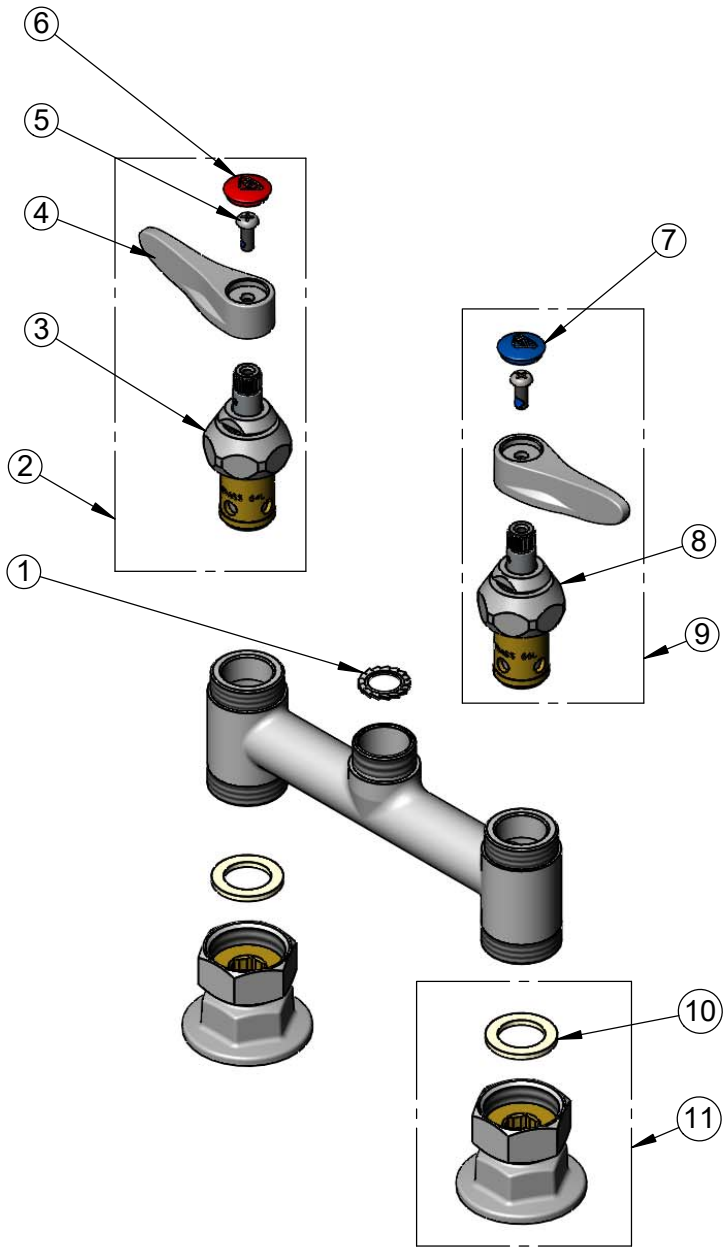
T&S BRASS AND BRONZE WORKS, INC.
 2 Saddleback Cove / P.O. Box 1088
 Travelers Rest, SC 29690

Model No.
B-2245-LN

Item No.

Travelers Rest, SC: 800-476-4103 • Simi Valley, CA: 800-423-0150 • Fax: 864-834-3518 • www.tsbrass.com

ITEM NO.	SALES NO.	DESCRIPTION
1	014200-45	Star Washer, Anti-Rotation
2	002712-40NS	Quarter-Turn Eterna Cartridge w/ Spring Check, Handle, Red Index & Screw, RTC
3	012443-40NS	Quarter-Turn Eterna Cartridge w/ Spring Check, RTC
4	001638-45NS	Lever Handle (New Style)
5	000925-45	Lab Handle Screw
6	001193-19NS	Red Button Index, Press-in
7	018506-19NS	Blue Button Index, Press-in
8	012442-40NS	Quarter-Turn Eterna Cartridge w/ Spring Check, LTC
9	002711-40NS	Quarter-Turn Eterna Cartridge w/ Spring Check, Handle, Blue Index & Screw, LTC
10	001019-45	Coupling Nut Washer
11	00AA	1/2" NPT Female Eccentric Flange



Product Specifications:
 6" Deck Mount Mixing Faucet (Less Nozzle), Quarter-Turn Eterna Cartridges w/ Spring Checks, Lever Handles & 1/2" NPT Female Inlets

Product Compliance:
 ASME A112.18.1 / CSA B125.1
 NSF 61 - Section 9
 NSF 372 (Low Lead Content)
 ANSI A117.1 (ADA)