



T&S BRASS AND BRONZE WORKS, INC.
 2 Saddleback Cove / P.O. Box 1088
 Travelers Rest, SC 29690

Model No.

B-2117

Item No.

Travelers Rest, SC: 800-476-4103 • Simi Valley, CA: 800-423-0150 • Fax: 864-834-3518 • www.tsbrass.com

This Space for Architect/Engineer Approval

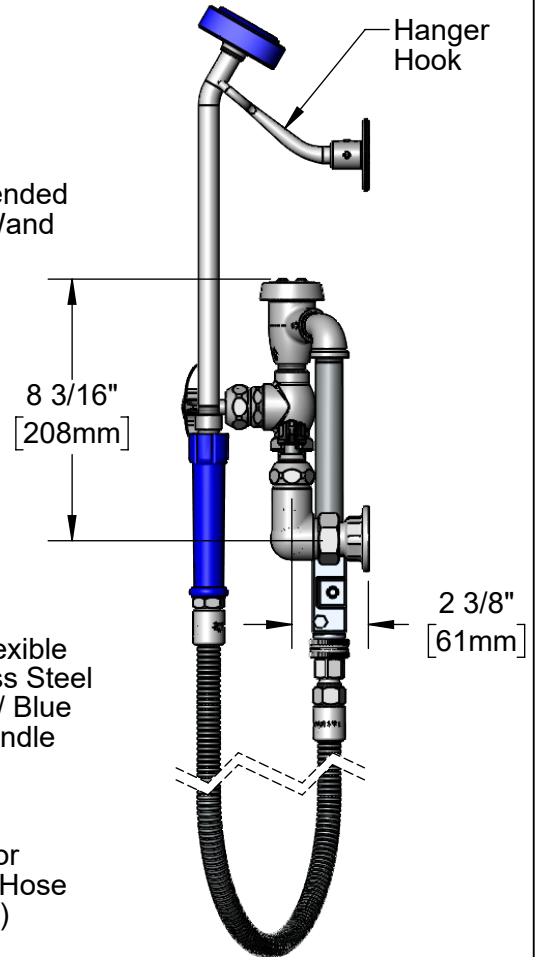
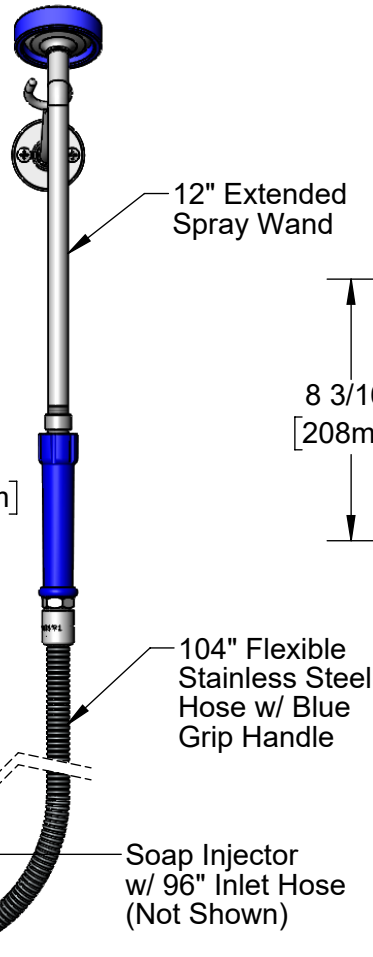
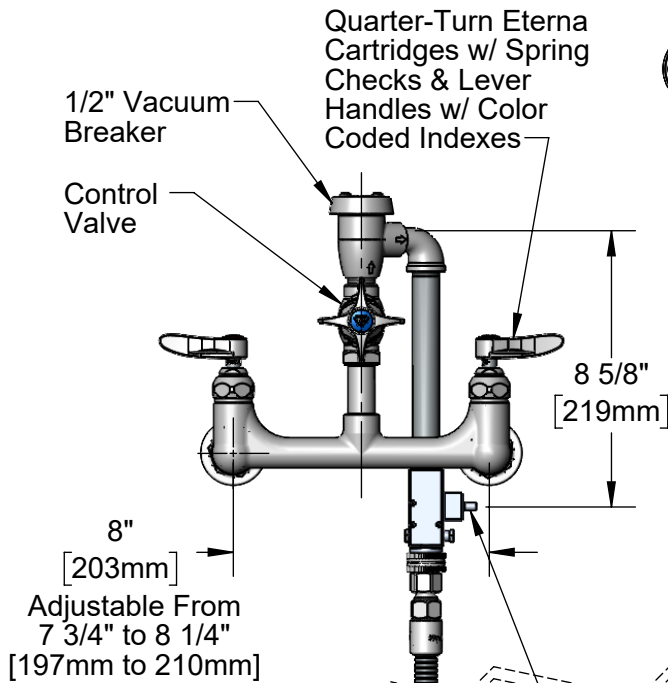
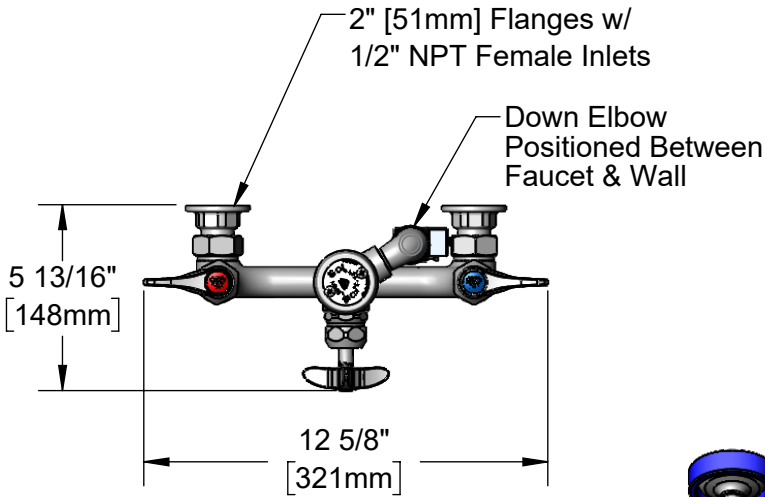
Job Name _____ Date _____

Model Specified _____ Quantity _____

Customer/Wholesaler _____

Contractor _____

Architect/Engineer _____



BR-10 Brush Attachment
(Included)

Product Specifications:

Cart Washing Spray Unit w/ Quarter-Turn Eterna Cartridges w/ Spring Checks, Lever Handles, Shut-off Valve, Vacuum Breaker, Soap Injector, 104" Stainless Steel Hose, 12" Spray Wand, Brush Attachment and 1/2" NPT Female Inlets

Product Compliance:

ASME A112.18.1 / CSA B125.1
 NSF 61 Exempt (Non-Potable)
 2019 DOE PRSV Non-Compliant
 ASSE 1001 (VB)

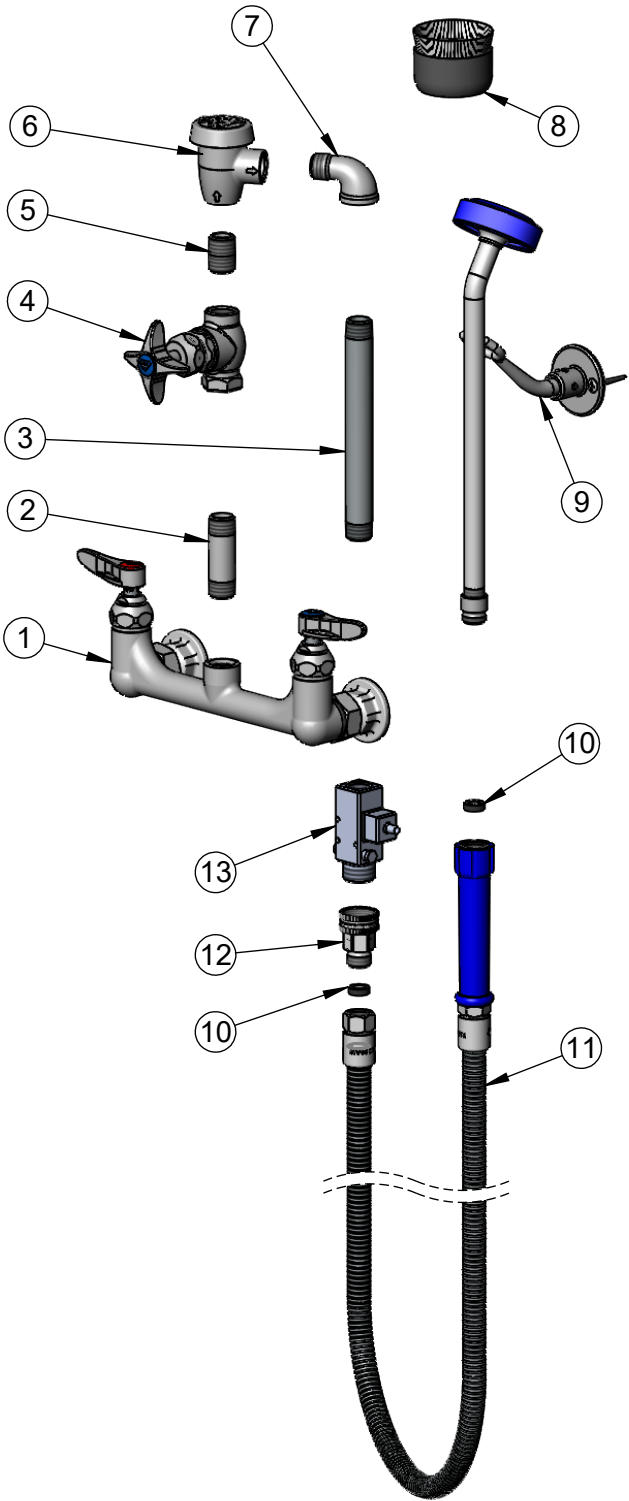


T&S BRASS AND BRONZE WORKS, INC.
 2 Saddleback Cove / P.O. Box 1088
 Travelers Rest, SC 29690

Model No.
B-2117

Item No.

Travelers Rest, SC: 800-476-4103 • Simi Valley, CA: 800-423-0150 • Fax: 864-834-3518 • www.tsbrass.com



ITEM NO.	SALES NO.	DESCRIPTION
1	013988-40NS	8" Rigid Wall Mount Base Faucet
2	001510-40	Nipple, 1/2" x 2-5/8"
3	001507-40	1/2" NPT x 7 1/8" Riser
4	002900-40	1/2" NPT Female Shut-Off Valve
5	002534-25	Close Nipple, 1/2" NPT
6	B-0969	1/2" NPT Vacuum Breaker
7	150X	EL, 1/2" Cast Rd. Street
8	BR10	Brush Attachment
9	B-0166	Wall Hook
10	010476-45	#27 Washer
11	EB-0104-H	104" Stainless Steel Hose w/ Blue Grip Handle
12	059A	Garden Hose Adapter
13	B-2173	Soap Injector Unit

Product Specifications:

Cart Washing Spray Unit w/ Quarter-Turn Eterna Cartridges w/ Spring Checks, Lever Handles, Shut-off Valve, Vacuum Breaker, Soap Injector, 104" Stainless Steel Hose, 12" Spray Wand, Brush Attachment and 1/2" NPT Female Inlets

Product Compliance:

ASME A112.18.1 / CSA B125.1
 NSF 61 Exempt (Non-Potable)
 2019 DOE PRSV Non-Compliant
 ASSE 1001 (VB)