



T&S BRASS AND BRONZE WORKS, INC.

2 Saddleback Cove / P.O. Box 1088
Travelers Rest, SC 29690

Model No.

B-1460-RMT

Item No.

Travelers Rest, SC: 800-476-4103 • Simi Valley, CA: 800-423-0150 • Fax: 864-834-3518 • www.tsbrass.com

This Space for Architect/Engineer Approval

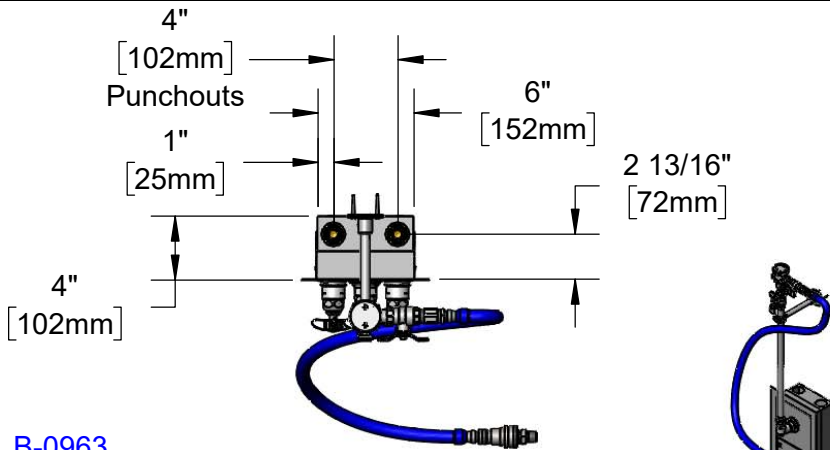
Job Name _____ Date _____

Model Specified _____ Quantity _____

Customer/Wholesaler _____

Contractor _____

Architect/Engineer _____



B-0963
Continuous Pressure
Vacuum Breaker w/
Integral Check Valve

EasyInstall
3/8" NPT x 18"
Riser

3/8" NPT x 36"
Flexible Water
Connector

Wall Flange

Stainless Steel
Quick Disconnect
w/ 3/8" NPT Male Outlet

Swivel Elbow w/
Ø 2" [51mm] Flange,
1/2" NPT Female Inlet

Control Valve
Body Behind Panel
Operable From Outside
of Closed Cabinet

Mixing Faucet w/ Quarter-
Turn Eterna Cartridges
w/ Spring Checks

1/2" NPT
Female
Union Inlets

1/2" Check
Valves

Supply Stop

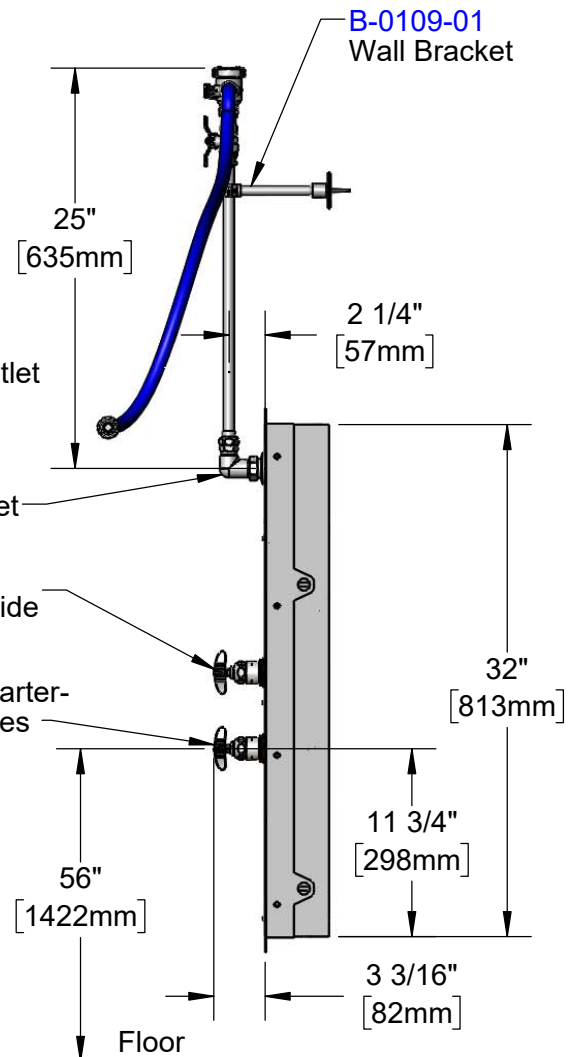
2"
[51mm]

34"
[864mm]

2"
[51mm]

8"
[203mm]

Cabinet Rough-In Requirement:
32" H x 6" W x 4" D



B-0109-01
Wall Bracket

Product Specifications:

EasyInstall Hose Reel Recess Mounted Cabinet, Mixing Valve, Eterna Cartridge w/ Spring Check, Straight Loose-Key Supply Stops, 1/2" NPT Female Union Inlets for Top Supplies, Control Valve w/ Eterna Cartridge, 1/2" NPT Riser, Check Valves, Swivel Elbows w/ 1/2" NPT Female Inlet, EasyInstall 3/8" NPT x 18" Riser, 6" Wall Bracket, Continuous Pressure Vacuum Breaker w/ Integral Check Valve, Removable flange, 36" Flexible Water Hose w/ Stainless Steel Quick Disconnect & 3/8" NPT Male Outlet

Product Compliance:

NSF 61 Exempt (Non-Portable)
ASSE 1056 (VB)



T&S BRASS AND BRONZE WORKS, INC.

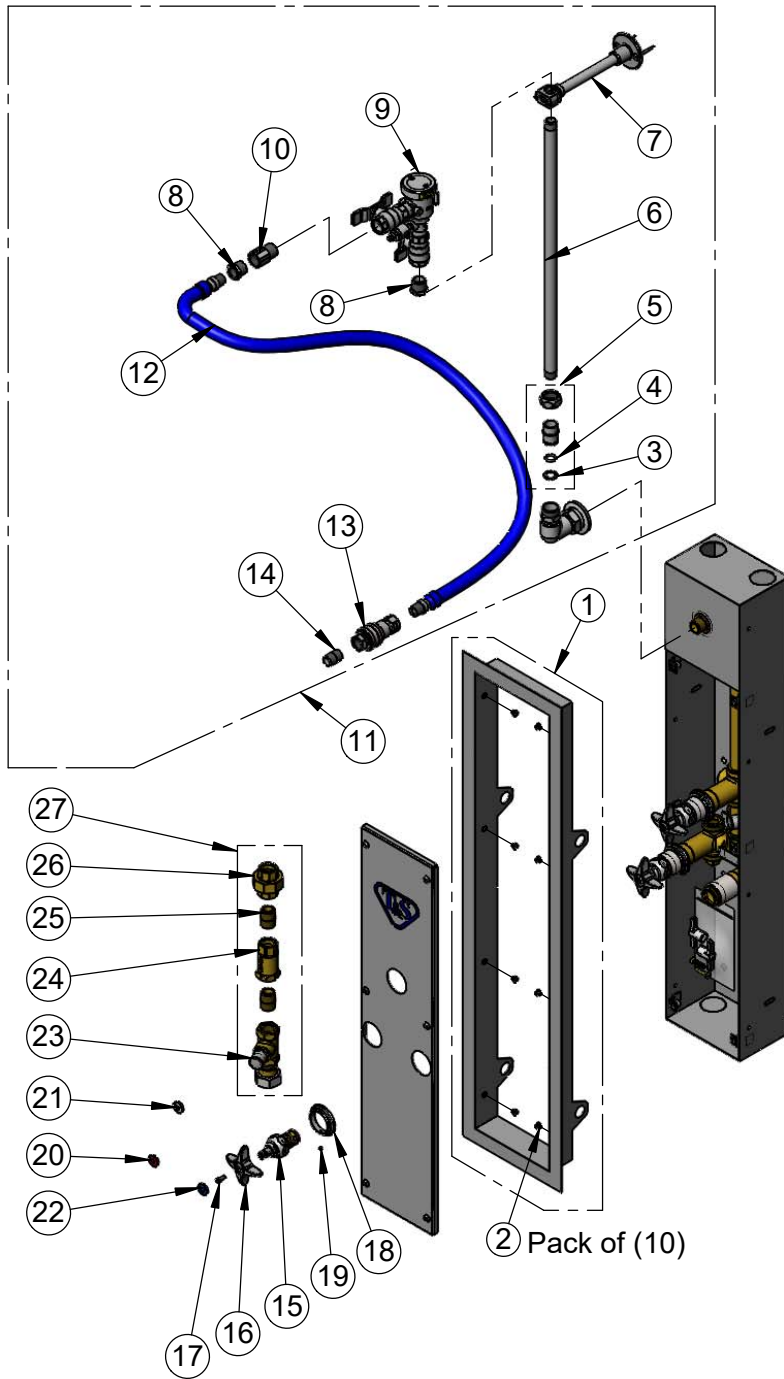
2 Saddleback Cove / P.O. Box 1088
Travelers Rest, SC 29690

Model No.

B-1460-RMT

Item No.

Travelers Rest, SC: 800-476-4103 • Simi Valley, CA: 800-423-0150 • Fax: 864-834-3518 • www.tsbrass.com



ITEM NO.	SALES NO.	DESCRIPTION
1	020828-45	SS Hose Reel System Cabinet Flange Recessed Mount
2	020840-45	10-32 x 3/16 Flange Screws, SS
3	014200-45	Star Washer, Anti-Rotation
4	001065-45	O-Ring
5	EZ-K	EasyInstall Kit: Nut, Bushing, O-Ring & Lock Washer
6	000369-40	3/8" NPT x 18" Riser
7	B-0109-01	6" Wall Bracket
8	001359-40	Hex Bushing, 1/2" NPT Male x 3/8" NPT Female
9	B-0963	Vacuum Breaker 1/2" NPT Female
10	015073-40	Check Valve w/ 1/2" NPT Adapter
11	0RK-SK	Hose Reel Connector Kit
12	HW-2B-36	3/8" NPT x 36" Flexible Connector Hose
13	AW-5B	3/8" NPT Quick Disconnect
14	002535-25	3/8" NPT Close Nipple
15	012443-40NS	Quarter-Turn Eterna w/ Springs Check, RTC (New Style)
16	002521-45NS	4-Arm Handle (New Style)
17	000925-45	Lab Handle Screw
18	020839-40	Escutcheon
19	000939-45	Escutcheon, Set Screw
20	001193-19NS	Red Button Index, Press In
21	001205-19NS	White Blank Button Index
22	018506-19NS	Blue Button Index, Press In
23	020848-20	Straight Loose Key Stop, Unplated
24	B-CVH1-2	1/2" NPT Check Valve
25	002534-20	1/2" Male Close Nipple, Unplated
26	006649-20	1/2" Union, Unplated
27	020974-40	Inlet Assembly

Product Specifications:

EasyInstall Hose Reel Recess Mounted Cabinet, Mixing Valve, Eterna Cartridge w/ Spring Check, Straight Loose-Key Supply Stops, 1/2" NPT Female Union Inlets for Top Supplies, Control Valve w/ Eterna Cartridge, 1/2" NPT Riser, Check Valves, Swivel Elbows w/ 1/2" NPT Female Inlet, EasyInstall 3/8" NPT x 18" Riser, 6" Wall Bracket, Continuous Pressure Vacuum Breaker w/ Integral Check Valve, Removable flange, 36" Flexible Water Hose w/ Stainless Steel Quick Disconnect & 3/8" NPT Male Outlet

Product Compliance:

NSF 61 Exempt (Non-Portable)
ASSE 1056 (VB)