



**T&S BRASS AND BRONZE WORKS, INC.**  
 2 Saddleback Cove / P.O. Box 1088  
 Travelers Rest, SC 29690

Model No.  
**B-1439**

Item No.

Travelers Rest, SC: 800-476-4103 • Simi Valley, CA: 800-423-0150 • Fax: 864-834-3518 • www.tsbrass.com

This Space for Architect/Engineer Approval

Job Name \_\_\_\_\_ Date \_\_\_\_\_  
 Model Specified \_\_\_\_\_ Quantity \_\_\_\_\_  
 Customer/Wholesaler \_\_\_\_\_  
 Contractor \_\_\_\_\_  
 Architect/Engineer \_\_\_\_\_

**B-0963**  
 Continuous Pressure  
 Vacuum Breaker w/  
 Integral Check Valve

3/8" NPT x 36"  
 Flexible Water  
 Connector

3/8" NPT x 40" Riser

Stainless Steel  
 Quick Disconnect

Control Valve

(2) **B-0109-07**  
 Wall Brackets

EasyInstall  
 3/8" NPT x 16" Riser

3 11/16"  
 [94mm]

12 5/8"  
 [321mm]

Ø 2" [51mm]  
 Flanges w/  
 1/2" NPT  
 Female Inlets

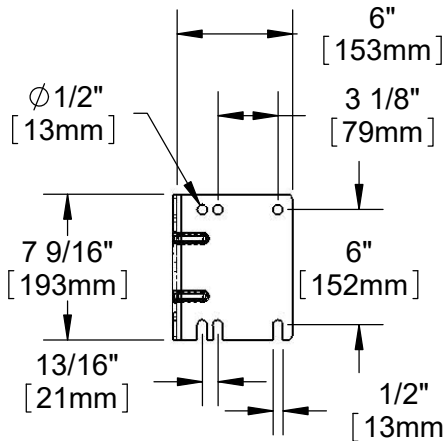
8"  
 [203mm]  
 Adjustable From  
 7 3/4" to 8 1/4"  
 [197mm to 210mm]

Open Stainless Steel  
 Hose Reel w/  
 50' of 3/8" Hose

**019652-40**  
 3/8" NPT  
 Live Swivel

Front Trigger  
 Water Gun

8" Wall Mount Mixing  
 Faucet, Quarter-Turn Eterna  
 Cartridges w/ Spring Checks  
 & Lever Handles w/ Color  
 Coded Indexes



63 5/16"  
 [1608mm]

17 13/16"  
 [452mm]

2 3/8"  
 [61mm]

Product Specifications:

Open Stainless Steel Hose Reel w/ 50' of 3/8" Hose, Blue Front Trigger Water Gun w/ Swivel, Vacuum Breaker, 3/8" NPT Flexible Water Connector, 8" Wall Mount Mixing Faucet & Control Valve

Product Compliance:

NSF 61 Exempt (Non-Potable)  
 2019 DOE PRSV Non-Compliant  
 ASSE 1056 (VB)



# T&S BRASS AND BRONZE WORKS, INC.

2 Saddleback Cove / P.O. Box 1088  
Travelers Rest, SC 29690

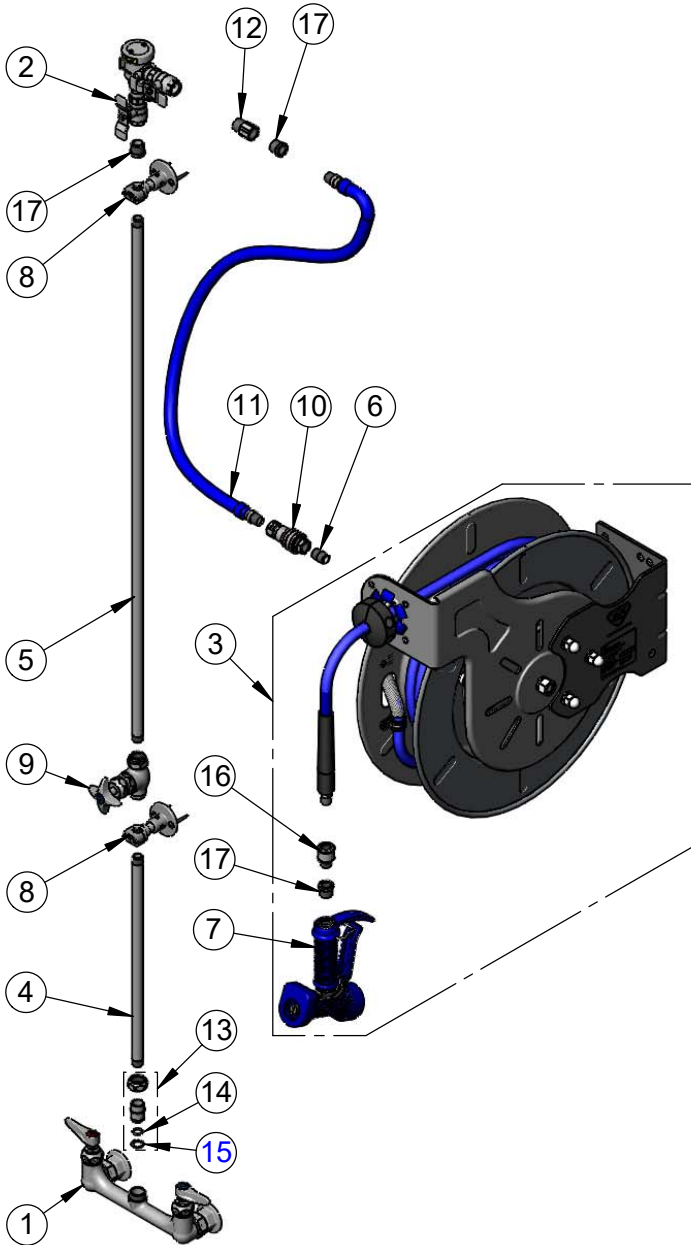
Model No.

**B-1439**

Item No.

Travelers Rest, SC: 800-476-4103 • Simi Valley, CA: 800-423-0150 • Fax: 864-834-3518 • www.tsbrass.com

ITEM NO.	SALES NO.	DESCRIPTION
1	<a href="#">B-0230-LN</a>	8" Wall Mount Mixing Faucet
2	<a href="#">B-0963</a>	1/2" NPT Continuous Pressure VB w/ Integral Check Valve
3	<a href="#">B-7142-05</a>	Open Stainless Steel Reel w/ 50' of 3/8" Hose
4	<a href="#">000368-40</a>	3/8" NPT x 16" Riser
5	<a href="#">002558-40</a>	3/8" NPT x 40" Riser
6	<a href="#">002535-25</a>	3/8" Close Nipple
7	<a href="#">MV-2522-24</a>	Stainless Steel Water Gun, Front Trigger
8	<a href="#">B-0109-07</a>	Wall Bracket
9	<a href="#">0RK3</a>	<a href="#">0RK3</a> Control Valve
10	<a href="#">AW-5B</a>	3/8" NPT Quick Disconnect
11	<a href="#">HW-2B-36</a>	3/8" NPT x 36" Flexible Water Hose
12	<a href="#">015073-40</a>	Check Valve w/ 1/2" NPT Adapter
13	<a href="#">EZ-K</a>	EasyInstall Kit
14	<a href="#">001065-45</a>	O-Ring
15	<a href="#">014200-45</a>	Lock Washer
16	<a href="#">019652-40</a>	3/8" NPT Live Swivel
17	<a href="#">001359-40</a>	Hex Bushing, 1/2" NPT Male x 3/8" NPT Female



**Product Specifications:**

Open Stainless Steel Hose Reel w/ 50' of 3/8" Hose, Blue Front Trigger Water Gun w/ Swivel, Vacuum Breaker, 3/8" NPT Flexible Water Connector, 8" Wall Mount Mixing Faucet & Control Valve

**Product Compliance:**

NSF 61 Exempt (Non-Potable)  
2019 DOE PRSV Non-Compliant  
ASSE 1056 (VB)