



**T&S BRASS AND BRONZE WORKS, INC.**  
 2 Saddleback Cove / P.O. Box 1088  
 Travelers Rest, SC 29690

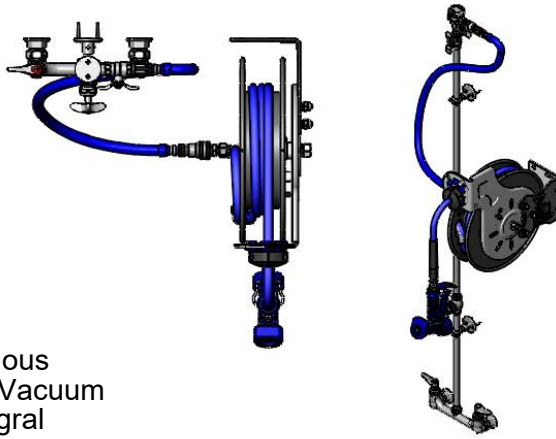
Model No.  
**B-1437**

Item No.

Travelers Rest, SC: 800-476-4103 • Simi Valley, CA: 800-423-0150 • Fax: 864-834-3518 • www.tsbrass.com

This Space for Architect/Engineer Approval

Job Name \_\_\_\_\_ Date \_\_\_\_\_  
 Model Specified \_\_\_\_\_ Quantity \_\_\_\_\_  
 Customer/Wholesaler \_\_\_\_\_  
 Contractor \_\_\_\_\_  
 Architect/Engineer \_\_\_\_\_



**B-0963** Continuous Pressure Type Vacuum Breaker w/ Integral Check Valve

**3/8" NPT x 36" Flexible Water Connector**

**B-7232-05** Open Hose Reel w/ 35' of 3/8" Hose

**019652-40** 3/8" NPT Live Swivel

**MV-2522-24** Front Trigger Water Gun

**3/8" NPT x 40" Riser**  
**0RK3** Control Valve

**B-0109-07** Bracket (2)

**EasyInstall 3/8" NPT x 16" Riser**

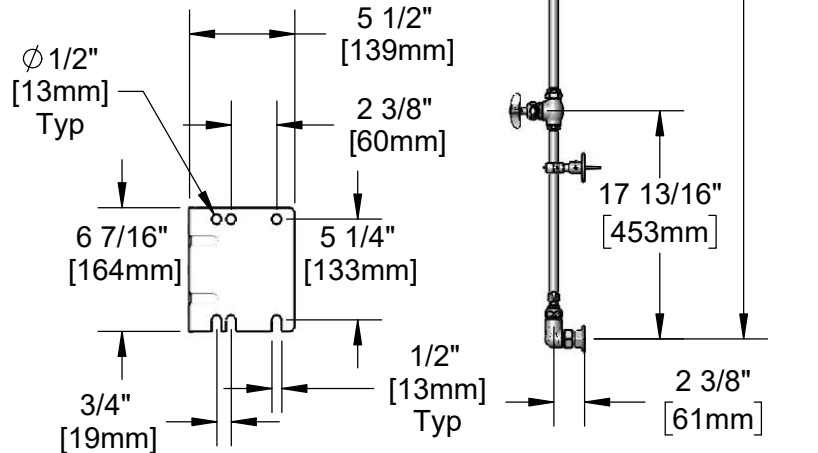
**3 11/16" [94mm]**

**8" Wall Mount Mixing Faucet, Quarter-Turn Eterna Cartridges w/ Spring Checks & Lever Handles w/ Color Coded Indexes**

**12 5/8" [321mm]**

**Ø 2" [51mm] Flanges w/ 1/2" NPT Female Inlets**

**8" [203mm] Adjustable From 7 3/4" to 8 1/4" [197mm to 210mm]**



**Product Specifications:**

Open Coated Hose Reel w/ 35' of 3/8" Hose, Blue Front Trigger Water Gun w/ Swivel, Vacuum Breaker, 3/8" NPT Flexible Water Connector, 8" Wall Mount Faucet, & Control Valve

**Product Compliance:**

NSF 61 Exempt (Non-Potable)  
 2019 DOE PRSV Non-Compliant  
 ASSE 1056 (VB)



# T&S BRASS AND BRONZE WORKS, INC.

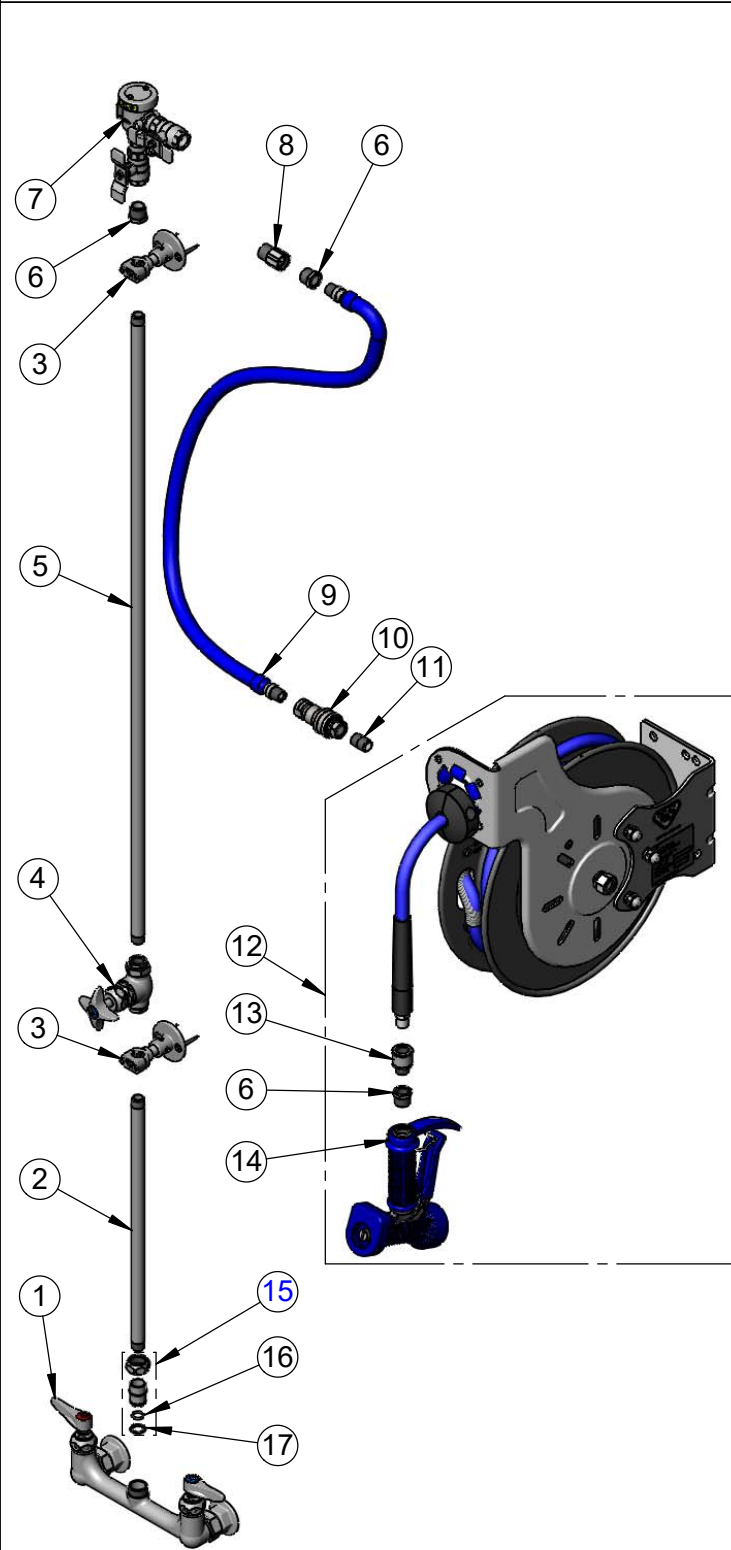
2 Saddleback Cove / P.O. Box 1088  
Travelers Rest, SC 29690

Model No.

**B-1437**

Item No.

Travelers Rest, SC: 800-476-4103 • Simi Valley, CA: 800-423-0150 • Fax: 864-834-3518 • www.tsbrass.com



| ITEM NO. | SALES NO.                  | DESCRIPTION                                  |
|----------|----------------------------|--|
| 1        | <a href="#">B-0230-LN</a>  | 8" Wall Mount Mixing Faucet                  |
| 2        | <a href="#">000368-40</a>  | 3/8" NPT x 16" Riser                         |
| 3        | <a href="#">B-0109-07</a>  | Wall Bracket                                 |
| 4        | <a href="#">0RK3</a>       | Control Valve                                |
| 5        | <a href="#">002558-40</a>  | 3/8" NPT x 40" Riser                         |
| 6        | <a href="#">001359-40</a>  | Hex Bushing, 1/2" NPT Male x 3/8" NPT Female |
| 7        | <a href="#">B-0963</a>     | Vacuum Breaker 1/2" NPT Female               |
| 8        | <a href="#">015073-40</a>  | Check Valve w/ 1/2" NPT Adapter              |
| 9        | <a href="#">HW-2B-36</a>   | 3/8" NPT x 36" Flexible Water Hose           |
| 10       | <a href="#">AW-5B</a>      | 3/8" NPT Quick Disconnect                    |
| 11       | <a href="#">002535-25</a>  | 3/8" Close Nipple                            |
| 12       | <a href="#">B-7232-05</a>  | Open Hose Reel w/ 3/8" x 35' Hose            |
| 13       | <a href="#">019652-40</a>  | 3/8" NPT Swivel                              |
| 14       | <a href="#">MV-2522-24</a> | Stainless Steel Water Gun, Front Trigger     |
| 15       | <a href="#">EZ-K</a>       | Easy Install Kit                             |
| 16       | <a href="#">001065-45</a>  | O-Ring                                       |
| 17       | <a href="#">014200-45</a>  | Star Washer, Anti-Rotation                   |

**Product Specifications:**

Open Coated Hose Reel w/ 35' of 3/8" Hose, Blue Front Trigger Water Gun w/ Swivel, Vacuum Breaker, 3/8" NPT Flexible Water Connector, 8" Wall Mount Faucet, & Control Valve

**Product Compliance:**

NSF 61 Exempt (Non-Potable)  
2019 DOE PRSV Non-Compliant  
ASSE 1056 (VB)