



**T&S BRASS AND BRONZE WORKS, INC.**  
 2 Saddleback Cove / P.O. Box 1088  
 Travelers Rest, SC 29690

Model No.  
**B-1433-7132-01M**

Item No.

Travelers Rest, SC: 800-476-4103 • Simi Valley, CA: 800-423-0150 • Fax: 864-834-3518 • www.tsbrass.com

This Space for Architect/Engineer Approval

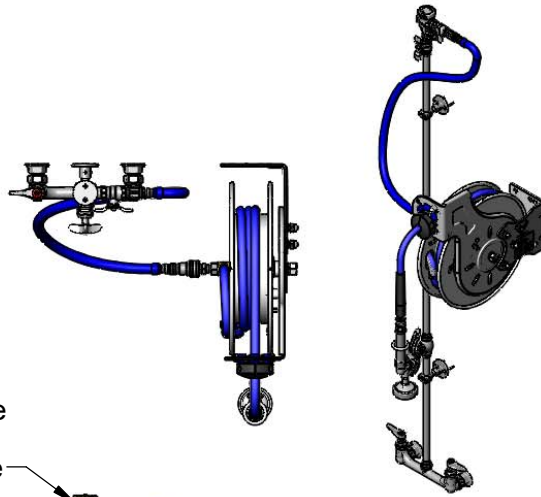
Job Name \_\_\_\_\_ Date \_\_\_\_\_

Model Specified \_\_\_\_\_ Quantity \_\_\_\_\_

Customer/Wholesaler \_\_\_\_\_

Contractor \_\_\_\_\_

Architect/Engineer \_\_\_\_\_



**B-0963**  
 Continuous Pressure  
 Vacuum Breaker w/  
 Integral Check Valve

3/8" NPT x 36"  
 Flexible Water  
 Connector

3/8" NPT x 40" Riser

Stainless Steel  
 Quick Disconnect

Control Valve

(2) **B-0109-07**  
 Wall Brackets

EasyInstall  
 3/8" NPT x 16" Riser

3 11/16"  
 [94mm]

Ø 2" [51mm]  
 Flanges w/  
 1/2" NPT  
 Female Inlets

Adjustable From  
 7 3/4" to 8 1/4"  
 [197mm to 210mm]

Open Stainless Steel Hose Reel  
 w/ 35' of 3/8" Hose

**019652-40**  
 3/8" NPT  
 Live Swivel

**B-0107**  
 1.15 GPM  
 Spray Valve

Quarter-Turn  
 Eterna Cartridges w/  
 Spring Checks &  
 Lever Handles w/  
 Color Coded  
 Indexes

12 5/8"  
 [321mm]

Ø 1/2"  
 [13mm]

6 7/16"  
 [164mm]

3/4"  
 [19mm]

5 1/2"  
 [139mm]

2 3/8"  
 [60mm]

5 1/4"  
 [133mm]

1/2"  
 [13mm]  
 Typ

63 5/16"  
 [1609mm]

17 7/8"  
 [454mm]

2 3/8"  
 [61mm]

Product Specifications:

Open Stainless Steel Hose Reel w/ 35' of 3/8" Hose, 1.15 GPM Spray Valve w/ Swivel, Vacuum Breaker, 3/8" NPT Flexible Water Connector, 8" Wall Mount Mixing Faucet & Control Valve

Product Compliance:

NSF 61 Exempt (Non-Potable)  
 2019 DOE PRSV - Class II  
 ASSE 1056 (VB)



# T&S BRASS AND BRONZE WORKS, INC.

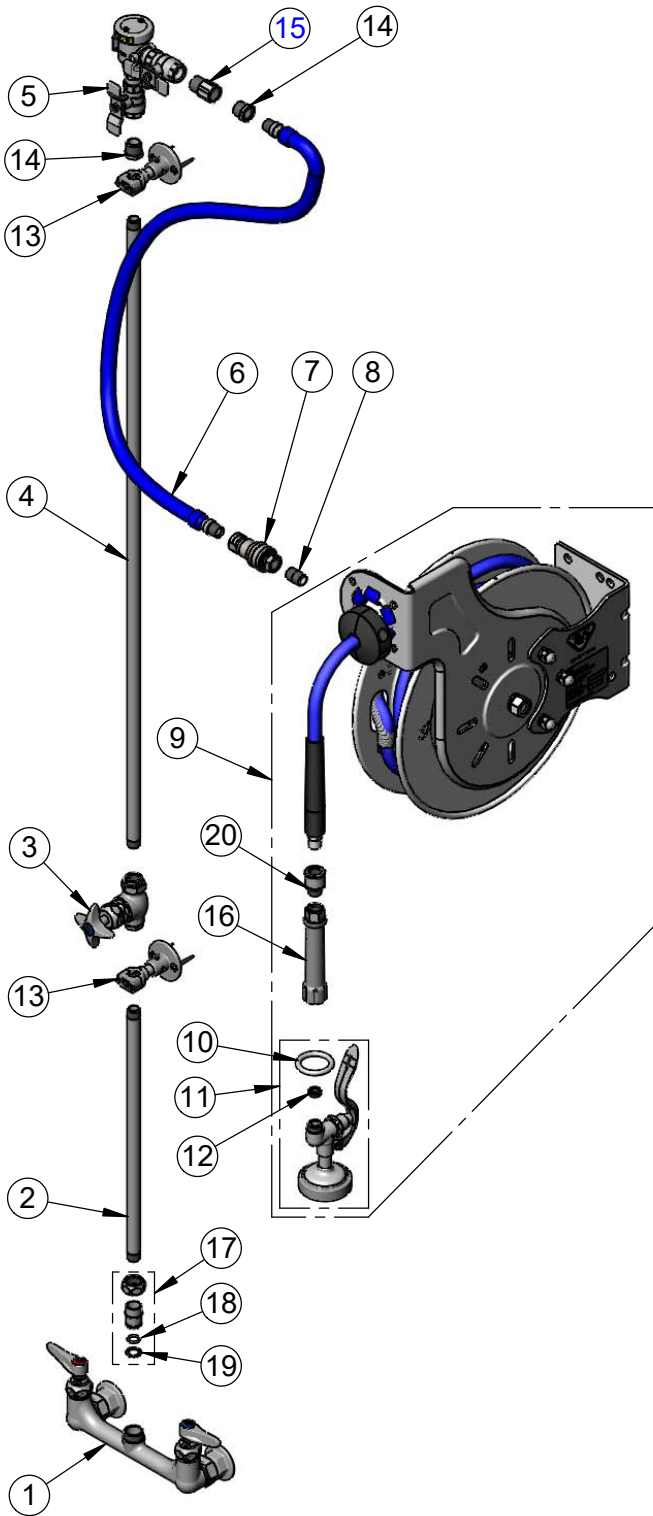
2 Saddleback Cove / P.O. Box 1088  
Travelers Rest, SC 29690

Model No.

**B-1433-7132-01M**

Item No.

Travelers Rest, SC: 800-476-4103 • Simi Valley, CA: 800-423-0150 • Fax: 864-834-3518 • www.tsbrass.com



ITEM NO.	SALES NO.	DESCRIPTION
1	B-0230-LN	8" Wall Mount Mixing Faucet
2	000368-40	3/8" NPT x 16" Riser
3	0RK3	Control Valve
4	002558-40	3/8" NPT x 40" Riser
5	B-0963	1/2" NPT Continuous Pressure VB w/ Integral Check Valve
6	HW-2B-36	3/8" NPT x 36" Flexible Water Hose
7	AW-5B	3/8" NPT Quick Disconnect
8	002535-25	3/8" Close Nipple
9	B-7132-01M	Open Stainless Steel Reel w/ 35' of 3/8" Hose
10	000907-45	Spray Valve Hold Down Ring
11	B-0107	1.15 GPM Spray Valve
12	010476-45	#27 Washer
13	B-0109-07	Wall Bracket
14	001359-40	1/2" NPT Male x 3/8" NPT Male Hex Bushing
15	015073-40	Check Valve w/ 1/2" NPT Adapter
16	002881-40	Grip Handle, 3/8" NPT
17	EZ-K	EasyInstall Kit
18	001065-45	O-Ring
19	014200-45	Lock Washer
20	019652-40	3/8" NPT Live Swivel

**Product Specifications:**

Open Stainless Steel Hose Reel w/ 35' of 3/8" Hose, 1.15 GPM Spray Valve w/ Swivel, Vacuum Breaker, 3/8" NPT Flexible Water Connector, 8" Wall Mount Mixing Faucet & Control Valve

**Product Compliance:**

NSF 61 Exempt (Non-Potable)  
2019 DOE PRSV - Class II  
ASSE 1056 (VB)