



**T&S BRASS AND BRONZE WORKS, INC.**  
 2 Saddleback Cove / P.O. Box 1088  
 Travelers Rest, SC 29690

Model No.  
**B-1433-05**

Item No.

Travelers Rest, SC: 800-476-4103 • Simi Valley, CA: 800-423-0150 • Fax: 864-834-3518 • www.tsbrass.com

This Space for Architect/Engineer Approval

Job Name \_\_\_\_\_ Date \_\_\_\_\_  
 Model Specified \_\_\_\_\_ Quantity \_\_\_\_\_  
 Customer/Wholesaler \_\_\_\_\_  
 Contractor \_\_\_\_\_  
 Architect/Engineer \_\_\_\_\_

**EPAct 2005 Non-Compliant**

**B-0963**

Continuous Pressure  
 Vacuum Breaker w/  
 Integral Check Valve

3/8" NPT x 36"  
 Flexible Water  
 Connector To  
 Hose Reel

3/8" NPT x 32" Riser

Stainless Steel  
 Quick Disconnect

Control Valve

(2) **B-0109-07**  
 Wall Brackets

3/8" NPT x 18" Riser

3 11/16"  
 [94mm]

12 3/16"  
 [309mm]

Ø 2" [51mm]  
 Flanges w/  
 1/2" NPT  
 Female Inlets

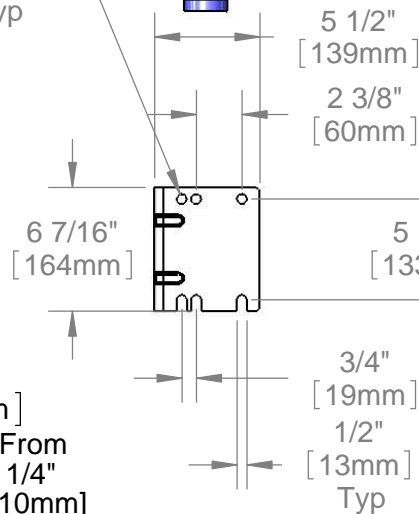
8"  
 [203mm]  
 Adjustable From  
 7 3/4" to 8 1/4"  
 [197mm to 210mm]

8" Wall Mount  
 Mixing Faucet  
 w/ Spring Checks  
 & Lever Handles  
 w/ Color Coded  
 Indexes

**EB-0107**  
 High Flow  
 Spray Valve  
 (Blue)

Ø 1/2"  
 [13mm]  
 Typ

Enclosed Coated Hose Reel  
 w/ 30' of 3/8" Hose



57 5/16"  
 [1456mm]

19 3/4"  
 [502mm]

2 3/8"  
 [61mm]

Product Specifications:

Enclosed Coated Hose Reel w/ 30' of 3/8" Hose, High Flow Spray Valve (Blue), Vacuum Breaker, 3/8" NPT Flexible Water Connector, 8" Wall Mount Mixing Faucet & Control Valve

|                       |                       |                          |
|-----------------------|-----------------------|--------------------------|
| Drawn<br><b>DHL</b>   | Checked<br><b>DMH</b> | Approved<br><b>JHB</b>   |
| Scale:<br><b>1:12</b> |                       | Date:<br><b>07/22/13</b> |

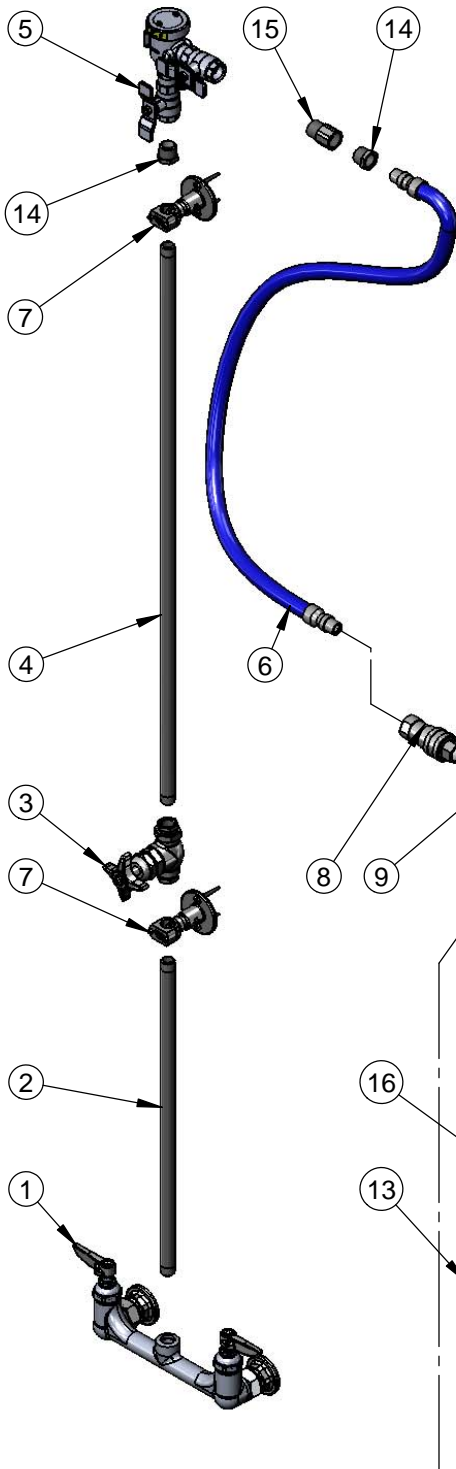


**T&S BRASS AND BRONZE WORKS, INC.**  
 2 Saddleback Cove / P.O. Box 1088  
 Travelers Rest, SC 29690

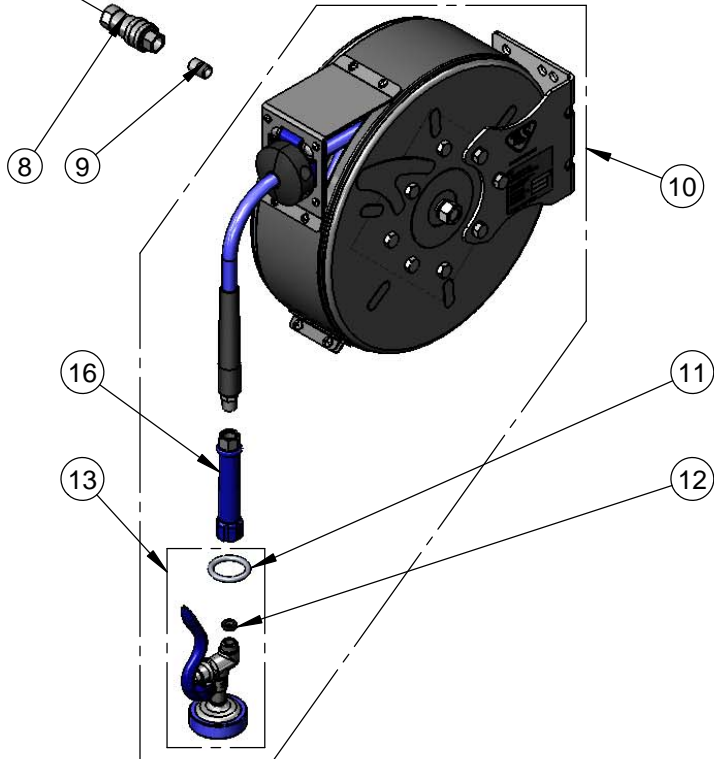
Model No.  
**B-1433-05**

Item No.

Travelers Rest, SC: 800-476-4103 • Simi Valley, CA: 800-423-0150 • Fax: 864-834-3518 • www.tsbrass.com



| ITEM NO.. | SALES NO.  | DESCRIPTION   |
|-----------|------------|---|
| 1         | 002832-40  | 8" Wall Mount Mixing Faucet                             |
| 2         | 000369-40  | 3/8" NPT x 18" Riser                                    |
| 3         | 0RK3       | Control Valve   |
| 4         | 000376-40  | 3/8" NPT x 32" Riser                                    |
| 5         | B-0963     | 1/2" NPT Continuous Pressure VB w/ Integral Check Valve |
| 6         | HW-2B-36   | 3/8" NPT x 36" Flexible Water Hose                      |
| 7         | B-0109-07  | Wall Bracket  |
| 8         | AW-5B      | 3/8" NPT Quick Disconnect                               |
| 9         | 002535-25  | 3/8" Close Nipple                                       |
| 10        | B-7222-C01 | Enclosed Coated Reel w/ 30' of 3/8" Hose                |
| 11        | 000907-45  | Spray Valve Hold Down Ring                              |
| 12        | 010476-45  | #27 Washer  |
| 13        | EB-0107    | High Flow Spray Valve (Blue)                            |
| 14        | 001359-40  | 1/2" NPT Male x 3/8" NPT Female Hex Bushing             |
| 15        | 015073-40  | Check Valve 1/2" NPT Adapter                            |
| 16        | 012504-40  | Grip Handle (Blue), 3/8" NPT                            |



Product Specifications:  
 Enclosed Coated Hose Reel w/ 30' of 3/8" Hose, High Flow Spray Valve (Blue), Vacuum Breaker, 3/8" NPT Flexible Water Connector, 8" Wall Mount Mixing Faucet & Control Valve

|                      |                       |                          |
|----------------------|-----------------------|--------------------------|
| Drawn<br><b>DHL</b>  | Checked<br><b>DMH</b> | Approved<br><b>JHB</b>   |
| Scale:<br><b>NTS</b> |                       | Date:<br><b>07/22/13</b> |