



T&S BRASS AND BRONZE WORKS, INC.
 2 Saddleback Cove / P.O. Box 1088
 Travelers Rest, SC 29690

Model No.
B-1433-02

Item No.

Travelers Rest, SC: 800-476-4103 • Simi Valley, CA: 800-423-0150 • Fax: 864-834-3518 • www.tsbrass.com

This Space for Architect/Engineer Approval

Job Name _____ Date _____
 Model Specified _____ Quantity _____
 Customer/Wholesaler _____
 Contractor _____
 Architect/Engineer _____

B-0963

Continuous Pressure Vacuum Breaker w/ Integral Check Valve

20" Stainless Steel Flexible Water Connector

Stainless Steel Quick Disconnect

3/8" NPT x 40" Riser

Control Valve

(2) **B-0109-07** Wall Brackets

EasyInstall 3/8" NPT x 16" Riser

Ø 2" [51mm] Flanges w/ 1/2" NPT Female Inlets

3 11/16" [94mm]

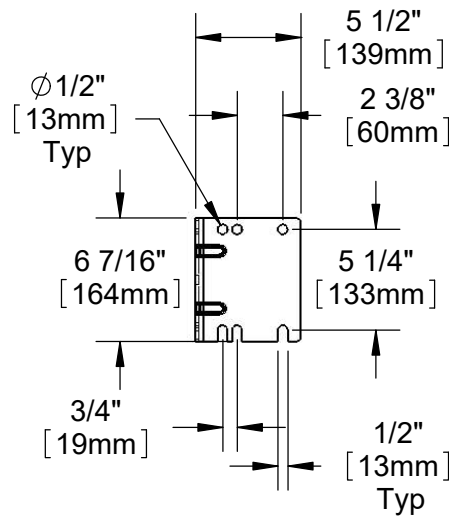
12 5/8" [321mm]

8" [203mm] Adjustable From 7 3/4" to 8 1/4" [197mm to 210mm]

Enclosed Coated Hose Reel w/ 30' of 3/8" Hose

019652-40 3/8" NPT Live Swivel

EB-0107 High Flow Spray Valve (Blue)



63 1/4" [1607mm]

17 13/16" [452mm]

2 3/8" [61mm]

Product Specifications:

Enclosed Coated Hose Reel w/ 30' of 3/8" Hose, High Flow Spray Valve (Blue) with Swivel, Vacuum Breaker, 20" Stainless Steel Flexible Hose, 8" Wall Mount Mixing Faucet & Control Valve

Product Compliance:

NSF 61 Exempt (Non-Potable)
 2019 DOE PRSV Non-Compliant
 ASSE 1056 (VB)



T&S BRASS AND BRONZE WORKS, INC.

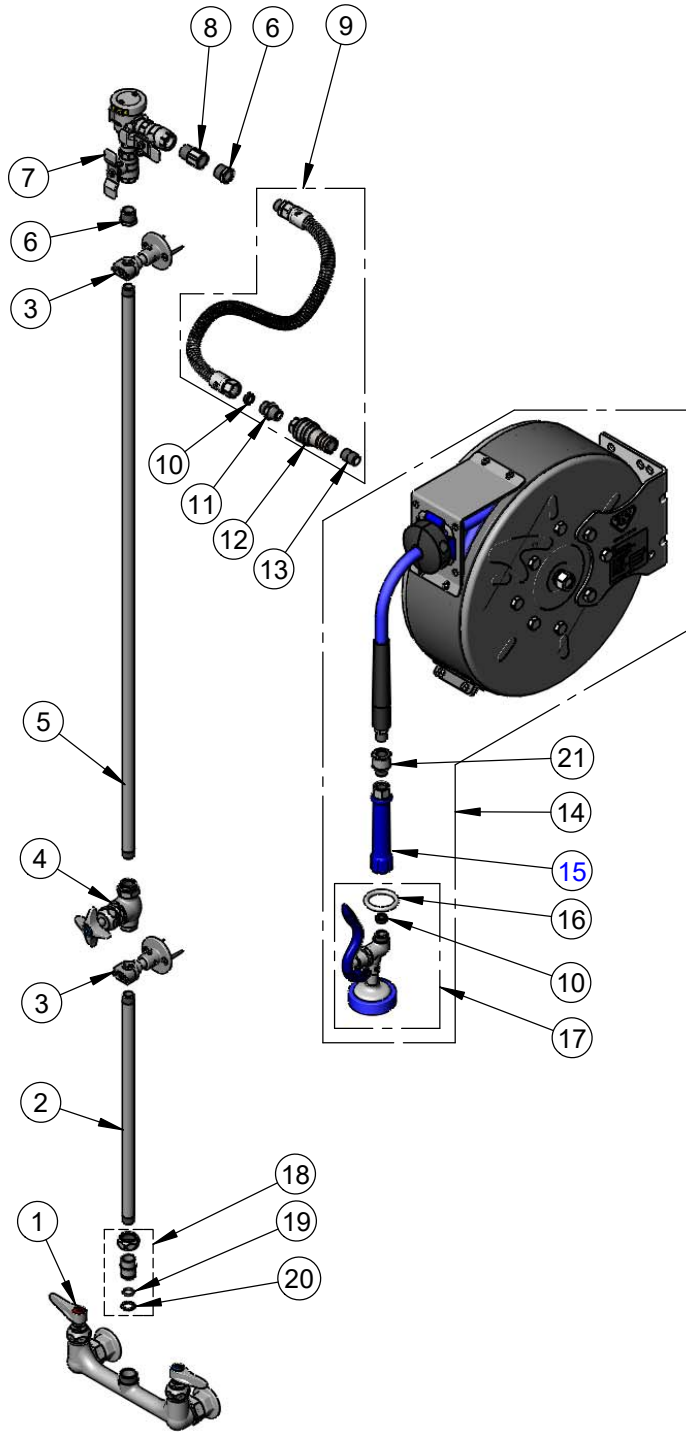
2 Saddleback Cove / P.O. Box 1088
Travelers Rest, SC 29690

Model No.

B-1433-02

Item No.

Travelers Rest, SC: 800-476-4103 • Simi Valley, CA: 800-423-0150 • Fax: 864-834-3518 • www.tsbrass.com



ITEM NO.	SALES NO.	DESCRIPTION
1	002832-40	8" Wall Mount Mixing Faucet
2	000368-40	3/8" NPT x 16" Riser
3	B-0109-07	Wall Bracket
4	0RK3	Control Valve
5	002558-40	3/8" NPT x 40 Riser
6	001359-40	Hex Bushing, 1/2" NPT Male x 3/8" NPT Female
7	B-0963	Vacuum Breaker 1/2" NPT Female
8	015073-40	Check Valve w/ 1/2" NPT Adapter
9	B-1433-03	20" Flexible Stainless Steel w/ QD Fitting & Adapter
10	010476-45	#27 Washer
11	053A	Adapter, 3/8" NPT Male
12	AW-5B	3/8" NPT Quick Disconnect
13	002535-25	3/8" NPT Close Nipple
14	B-7222-C01	Enclosed Coated Reel w/ 30' of 3/8" Hose
15	012504-40	Grip Handle (Blue), 3/8" NPT
16	000907-45	Spray Valve Hold Down Ring
17	EB-0107	High Flow Spray Valve (Blue)
18	EZ-K	EasyInstall Kit
19	001065-45	O-Ring
20	014200-45	Star Washer, Anti-Rotation
21	019652-40	3/8" NPT Live Swivel

Product Specifications:

Enclosed Coated Hose Reel w/ 30' of 3/8" Hose, High Flow Spray Valve (Blue) with Swivel, Vacuum Breaker, 20" Stainless Steel Flexible Hose, 8" Wall Mount Mixing Faucet & Control Valve

Product Compliance:

NSF 61 Exempt (Non-Potable)
2019 DOE PRSV Non-Compliant
ASSE 1056 (VB)