



T&S BRASS AND BRONZE WORKS, INC.
 2 Saddleback Cove / P.O. Box 1088
 Travelers Rest, SC 29690

Model No.
B-1344

Item No.

Travelers Rest, SC: 800-476-4103 • Simi Valley, CA: 800-423-0150 • Fax: 864-834-3518 • www.tsbrass.com



ADA Compliant

This Space for Architect/Engineer Approval

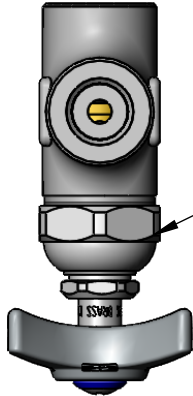
Job Name _____ Date _____

Model Specified _____ Quantity _____

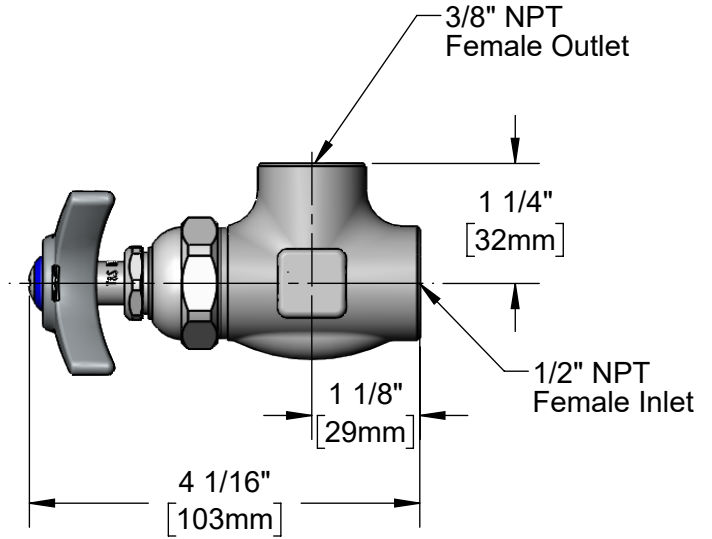
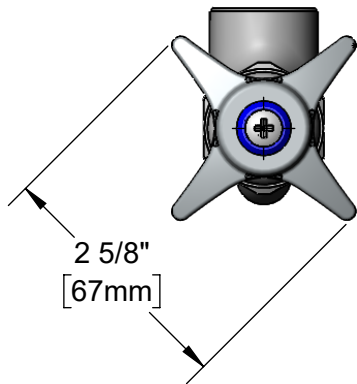
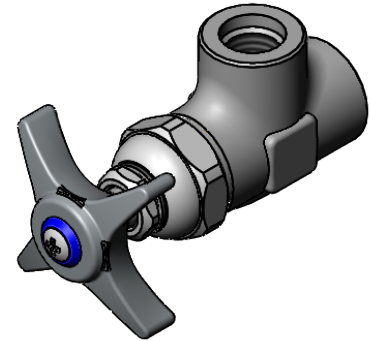
Customer/Wholesaler _____

Contractor _____

Architect/Engineer _____



Quarter-Turn Eterna Cartridge w/ Spring Check RTC w/ Four-Arm Handle & Color Coded Index



Product Specifications:

Angle Stop with Quarter-Turn Eterna Cartridge w/ Spring Check, Four-Arm Handle, 1/2" NPT Female Inlet & 3/8" NPT Female Outlet

Product Compliance:

ASME A112.18.1 / CSA B125.1
 NSF 61 - Section 9
 NSF 372 (Low Lead Content)
 ANSI A117.1 (ADA)



T&S BRASS AND BRONZE WORKS, INC.

2 Saddleback Cove / P.O. Box 1088
Travelers Rest, SC 29690

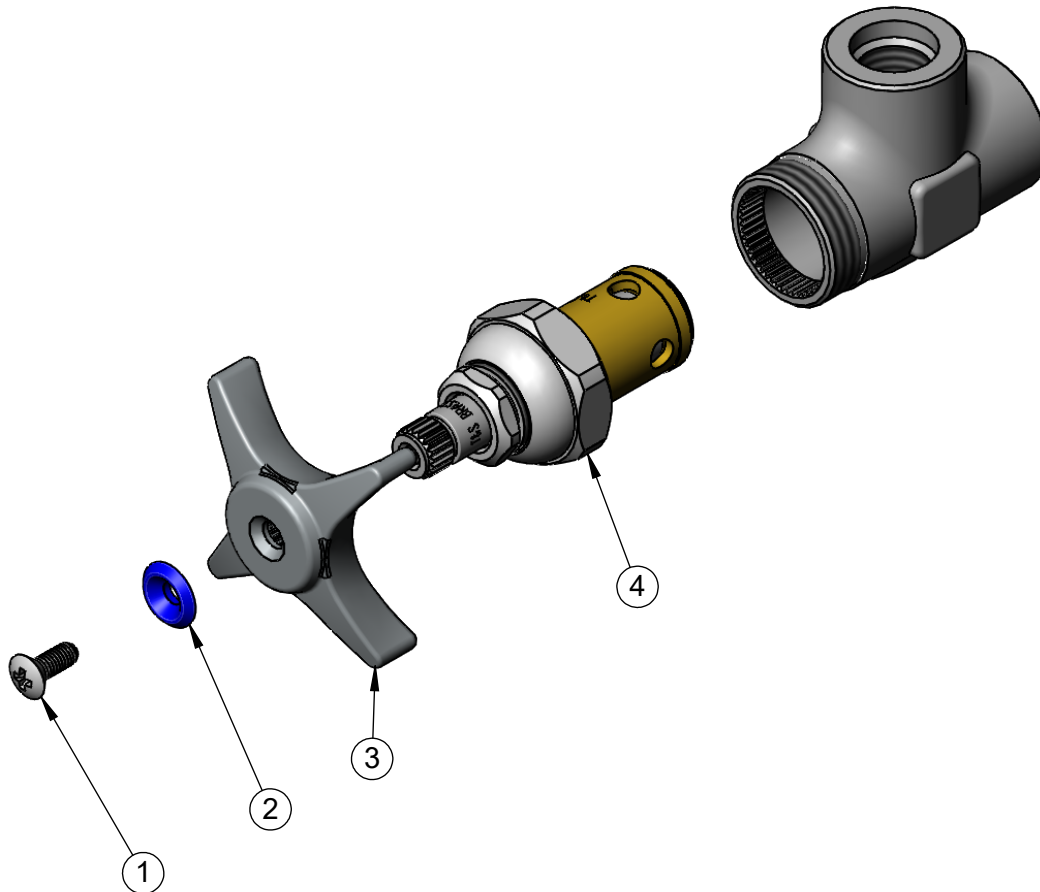
Model No.

B-1344

Item No.

Travelers Rest, SC: 800-476-4103 • Simi Valley, CA: 800-423-0150 • Fax: 864-834-3518 • www.tsbrass.com

ITEM NO.	SALES NO.	DESCRIPTION
1	000922-45	Lever Handle Screw
2	001660-45	Blue Index-CW
3	002521-45	4-Arm Handle
4	012443-40NS	Quarter-Turn Eterna Cartridge, RTC w/ Spring Check



Product Specifications:

Angle Stop with Quarter-Turn Eterna Cartridge w/ Spring Check, Four-Arm Handle, 1/2" NPT Female Inlet & 3/8" NPT Female Outlet

Product Compliance:

ASME A112.18.1 / CSA B125.1
NSF 61 - Section 9
NSF 372 (Low Lead Content)
ANSI A117.1 (ADA)