



T&S BRASS AND BRONZE WORKS, INC.

2 Saddleback Cove / P.O. Box 1088
Travelers Rest, SC 29690

Model No.

B-1336

Item No.

Travelers Rest, SC: 800-476-4103 • Simi Valley, CA: 800-423-0150 • Fax: 864-834-3518 • www.tsbrass.com

This Space for Architect/Engineer Approval

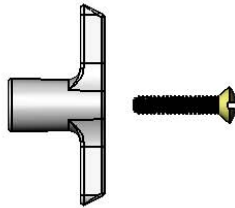
Job Name _____ Date _____

Model Specified _____ Quantity _____

Customer/Wholesaler _____

Contractor _____

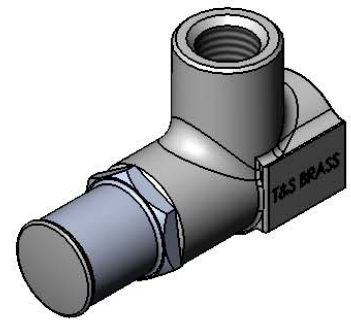
Architect/Engineer _____



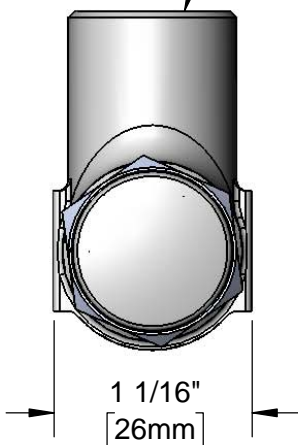
T-Handle Kit w/ Mounting Screw
for Supply Stop



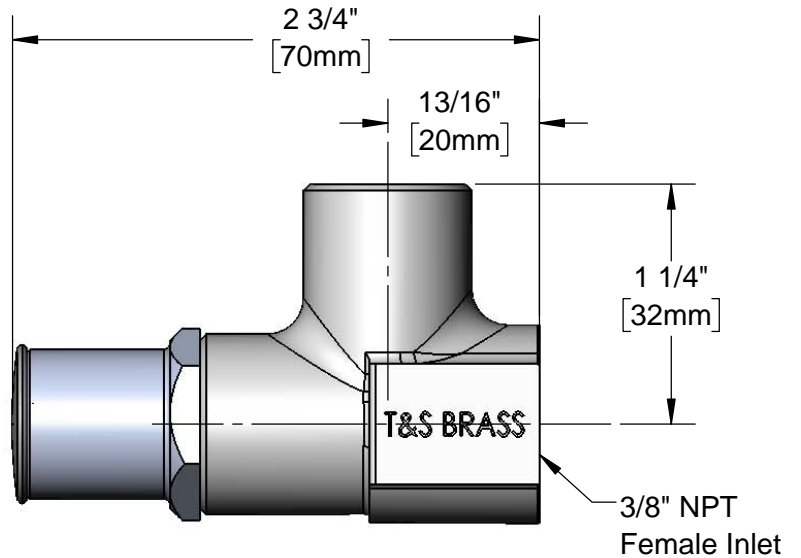
Loose Key
Style Shut-Off
Valve



3/8" NPT
Female Outlet



1 1/16"
[26mm]



2 3/4"
[70mm]

13/16"
[20mm]

1 1/4"
[32mm]

3/8" NPT
Female Inlet

Product Specifications:
Loose Key Angle Stop w/ Loose Key Handle, 3/8" NPT Female
Inlet and Outlet

Product Compliance:
ASME A112.18.1 / CSA B125.1
NSF 61 - Section 9
NSF 372 (Low Lead Content)



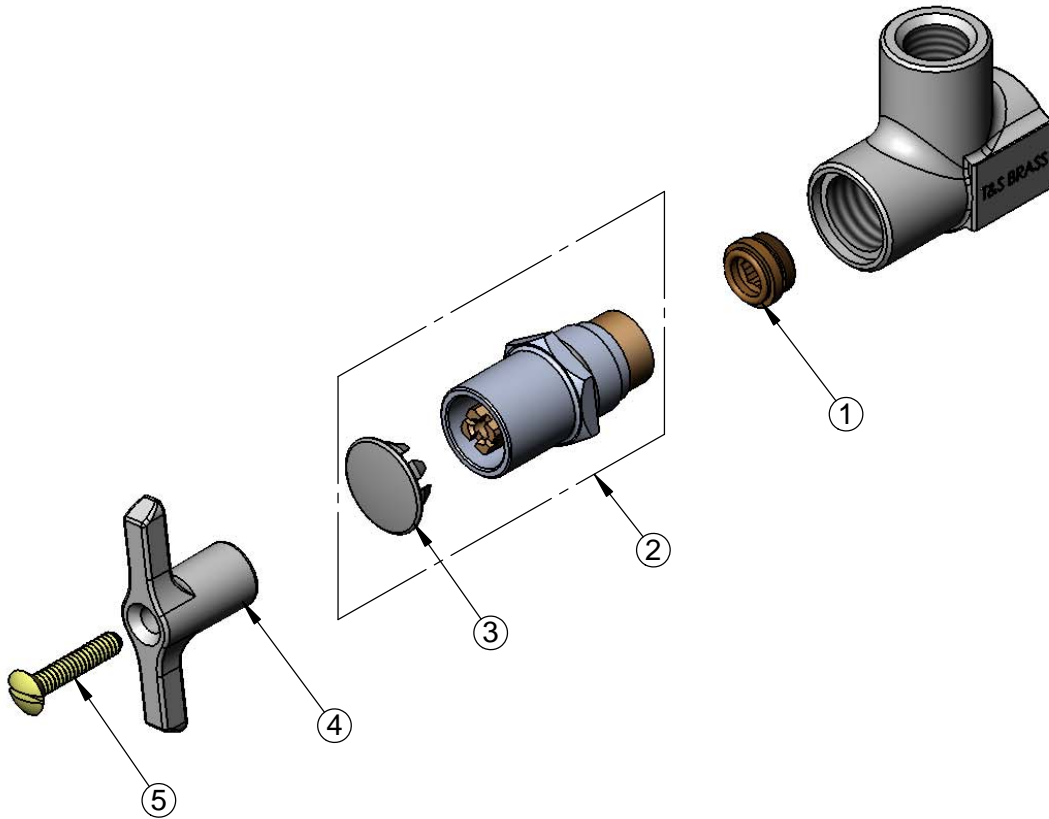
T&S BRASS AND BRONZE WORKS, INC.
2 Saddleback Cove / P.O. Box 1088
Travelers Rest, SC 29690

Model No.
B-1336

Item No.

Travelers Rest, SC: 800-476-4103 • Simi Valley, CA: 800-423-0150 • Fax: 864-834-3518 • www.tsbrass.com

ITEM NO.	SALES NO.	DESCRIPTION
1	000763-20	Seat
2	002892-40	Spindle Asm w/ Cap
3	001605-45	Cap
4	001802-45	Handle, Supply Stop "T"
5	002432-45	Screw, Tee Handle



Product Specifications:
Loose Key Angle Stop w/ Loose Key Handle, 3/8" NPT Female Inlet and Outlet

Product Compliance:
ASME A112.18.1 / CSA B125.1
NSF 61 - Section 9
NSF 372 (Low Lead Content)