



T&S BRASS AND BRONZE WORKS, INC.

2 Saddleback Cove / P.O. Box 1088
Travelers Rest, SC 29690

Model No.

B-1255

Item No.

Travelers Rest, SC: 800-476-4103 • Simi Valley, CA: 800-423-0150 • Fax: 864-834-3518 • www.tsbrass.com

This Space for Architect/Engineer Approval

Job Name _____ Date _____

Model Specified _____ Quantity _____

Customer/Wholesaler _____

Contractor _____

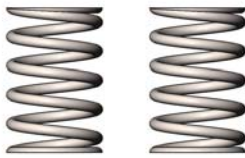
Architect/Engineer _____



003199-45
Handle Screw
(1 Supplied)



003198-45
Handle Nut
(1 Supplied)



000894-45
Spring
(2 Supplied)



000974-45
Bonnet Washer
(2 Supplied)



001100-45
Stem Packing
(2 Supplied)



001030-45
Outlet Washer
(2 Supplied)



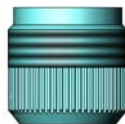
001094-45
Seat Washer
(2 Supplied)



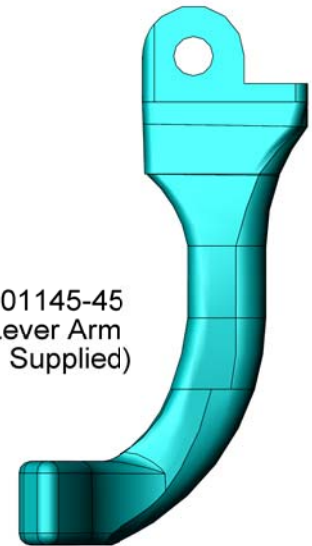
001062-45
O-Ring
(2 Supplied)

Dow Corning 111
Silicone O-Ring
Lubricant

012665-45
Silicon Grease Tube
(1 Supplied)



003090-45
Outlet Tip
(1 Supplied)



001145-45
Lever Arm
(1 Supplied)

Product Specifications:
Replacement Parts Kit for
Retro "Old Style" Glass Fillers

Product Compliance:
NSF 61 - Section 9
NSF 372 (Low Lead Content)