



# T&S BRASS AND BRONZE WORKS, INC.

2 Saddleback Cove / P.O. Box 1088  
Travelers Rest, SC 29690

Model No.

**B-1225**

Item No.

Travelers Rest, SC: 800-476-4103 • Simi Valley, CA: 800-423-0150 • Fax: 864-834-3518 • www.tsbrass.com



**ADA Compliant**



Quarter-Turn Eterna Cartridge w/ Spring Check & 4-Arm Handle w/ Color Coded Index (For Water Flow to Swing Nozzle)

This Space for Architect/Engineer Approval

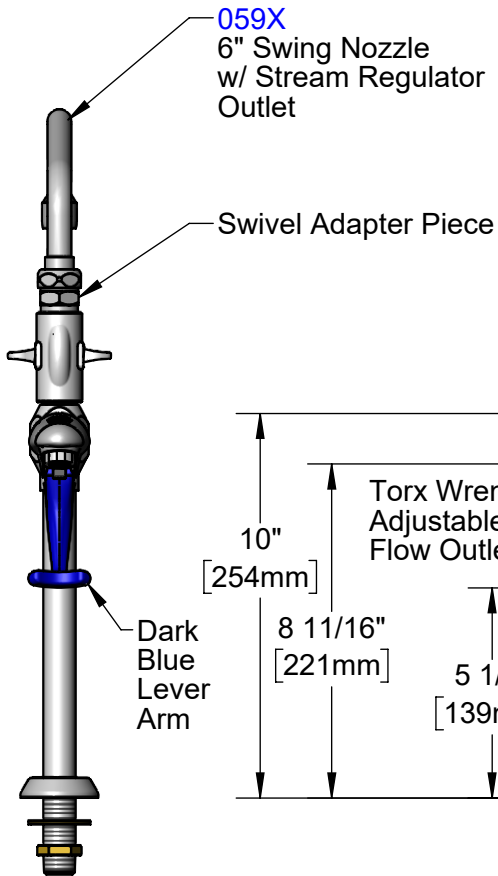
Job Name \_\_\_\_\_ Date \_\_\_\_\_

Model Specified \_\_\_\_\_ Quantity \_\_\_\_\_

Customer/Wholesaler \_\_\_\_\_

Contractor \_\_\_\_\_

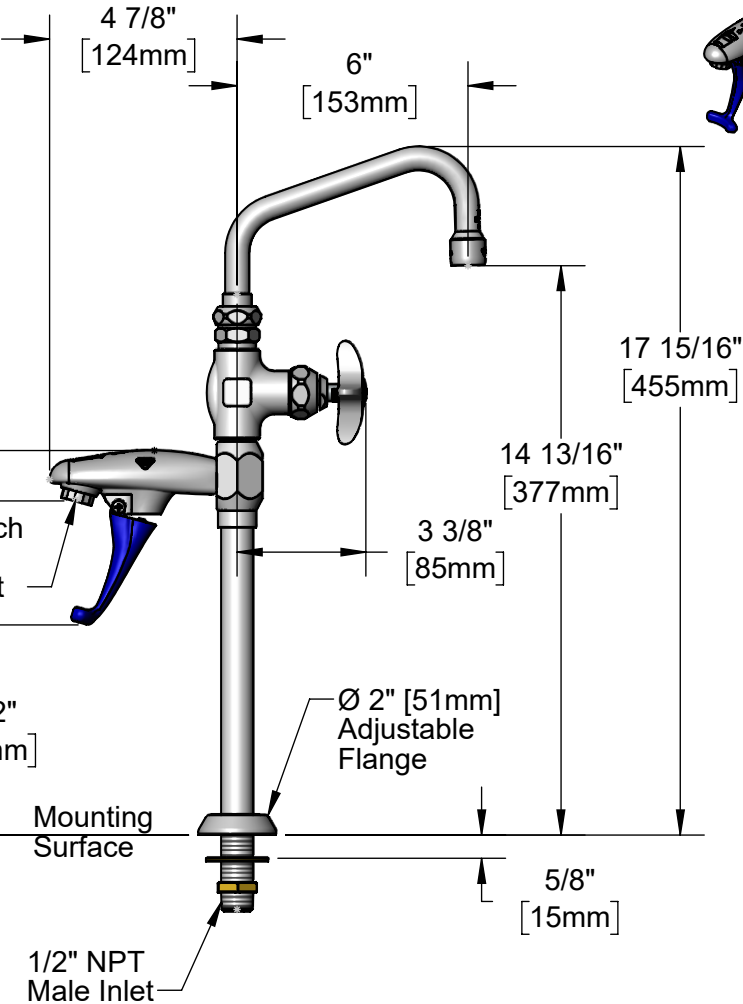
Architect/Engineer \_\_\_\_\_



**059X**  
6" Swing Nozzle w/ Stream Regulator Outlet

Swivel Adapter Piece

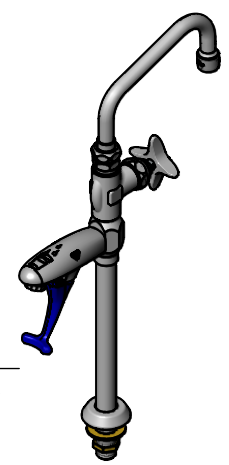
Dark Blue Lever Arm



Torx Wrench Adjustable Flow Outlet

Mounting Surface

1/2" NPT Male Inlet



Rough-In Requirement:  
Ø 1" [25mm] Mounting Hole

Product Specifications:  
Combination 8 11/16" Clearance Glass & Pitcher Filler, Push Back Design, 6" Swing Nozzle, Independent Operation & 1/2" NPT Male Inlet

Product Compliance:  
ASME A112.18.1 / CSA B125.1  
NSF 61 - Section 9  
NSF 372 (Low Lead Content)  
ANSI A117.1 (ADA)



# T&S BRASS AND BRONZE WORKS, INC.

2 Saddleback Cove / P.O. Box 1088  
Travelers Rest, SC 29690

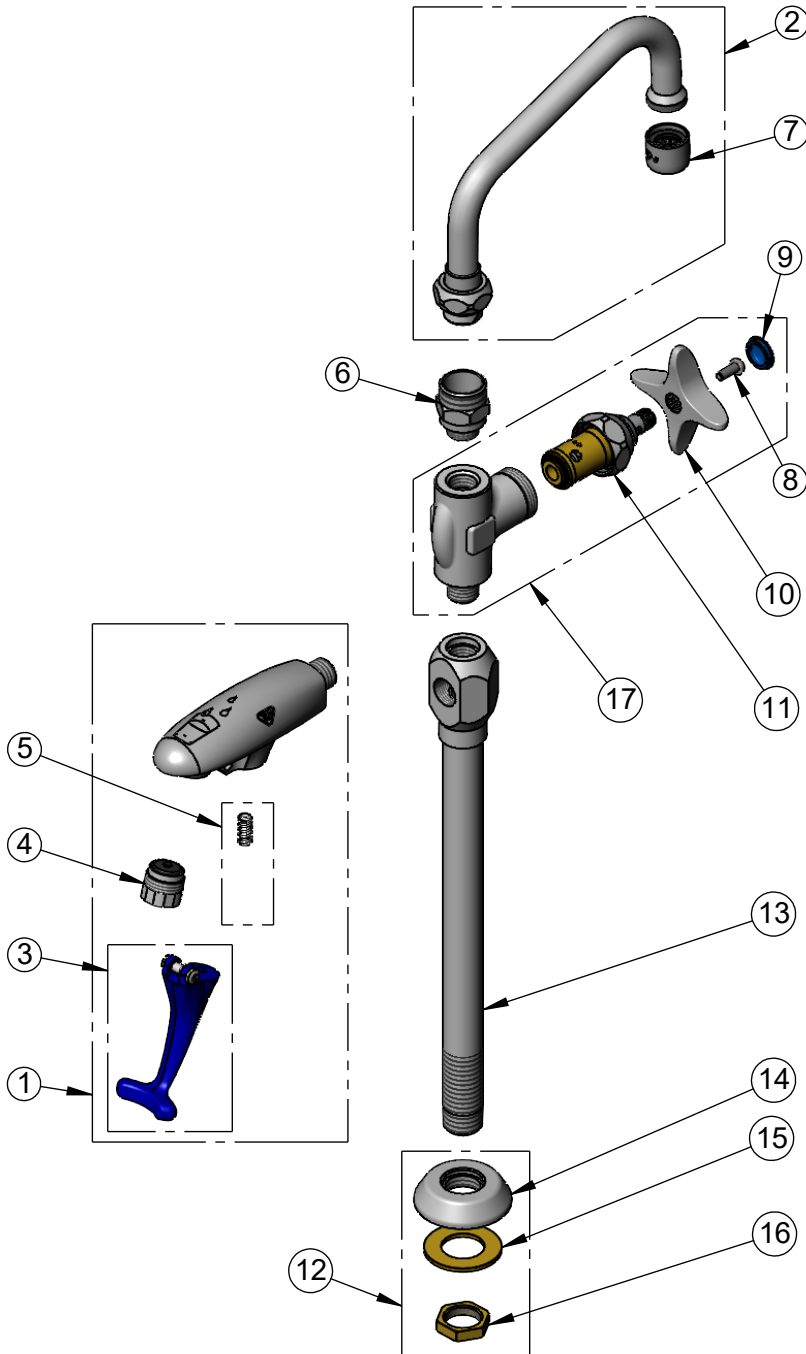
Model No.

**B-1225**

Item No.

Travelers Rest, SC: 800-476-4103 • Simi Valley, CA: 800-423-0150 • Fax: 864-834-3518 • www.tsbrass.com

ITEM NO.	SALES NO.	DESCRIPTION
1	B-1205	Wall Mount Glass Filler, 3/8" NPT
2	059X	6" Swing Nozzle
3	015550-45	Lever Arm Repair Kit
4	015588-40	Adjustable Outlet w/ Torx Wrench
5	015589-40	Valve
6	B-0412	Rigid to Swivel Adapter
7	B-PT	Full Flow Stream Regulator, 55/64-27
8	000925-45	Lab Handle Screw
9	018506-19NS	Blue Button Index, Press-in
10	002521-45NS	4-Arm Handle (New Style)
11	012443-40NS	Quarter-Turn Eterna Cartridge w/ Spring Check, RTC
12	016783-40	Adjustable Deck Flange
13	000743-40	B-1225 Soldered Pedestal
14	000024-40	Glass Filler, Deck Mount, Pedestal Flange
15	000999-45	Brass Washer
16	002954-45	Shank Lock Nut
17	007010-40NS	Straight Stop w/ Quarter-Turn Eterna Cartridge w/ Spring Check, 4-Arm Handle & Blue Index



016640-45  
T-45 Torx  
Wrench

**Product Specifications:**

Combination 8 11/16" Clearance Glass & Pitcher Filler, Push Back Design, 6" Swing Nozzle, Independent Operation & 1/2" NPT Male Inlet

**Product Compliance:**

ASME A112.18.1 / CSA B125.1  
NSF 61 - Section 9  
NSF 372 (Low Lead Content)  
ANSI A117.1 (ADA)