



**T&S BRASS AND BRONZE WORKS, INC.**  
 2 Saddleback Cove / P.O. Box 1088  
 Travelers Rest, SC 29690

Model No.

**B-1222**

Item No.

Travelers Rest, SC: 800-476-4103 • Simi Valley, CA: 800-423-0150 • Fax: 864-834-3518 • www.tsbrass.com

This Space for Architect/Engineer Approval

Job Name \_\_\_\_\_ Date \_\_\_\_\_

Model Specified \_\_\_\_\_ Quantity \_\_\_\_\_

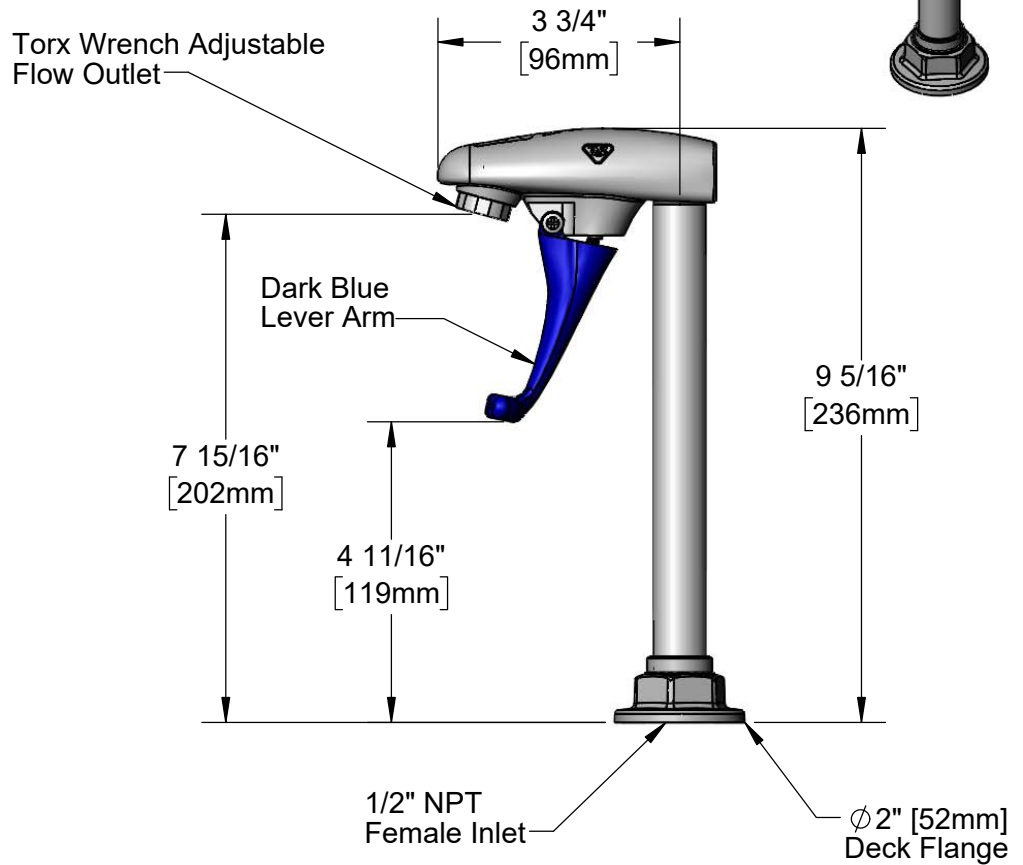
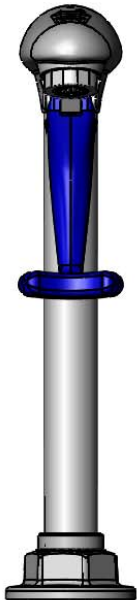
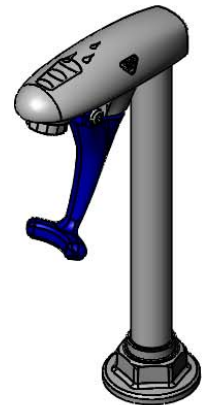
Customer/Wholesaler \_\_\_\_\_

Contractor \_\_\_\_\_

Architect/Engineer \_\_\_\_\_



**ADA Compliant**



**Product Specifications:**

8" Pedestal Glass Filler, Push Back Design, 1/2" NPT Female Inlet, Dark Blue Self-Closing Arm Designed for Water Coolers

**Product Compliance:**

ASME A112.18.1 / CSA B125.1  
 NSF 61 - Section 9  
 NSF 372 (Low Lead Content)



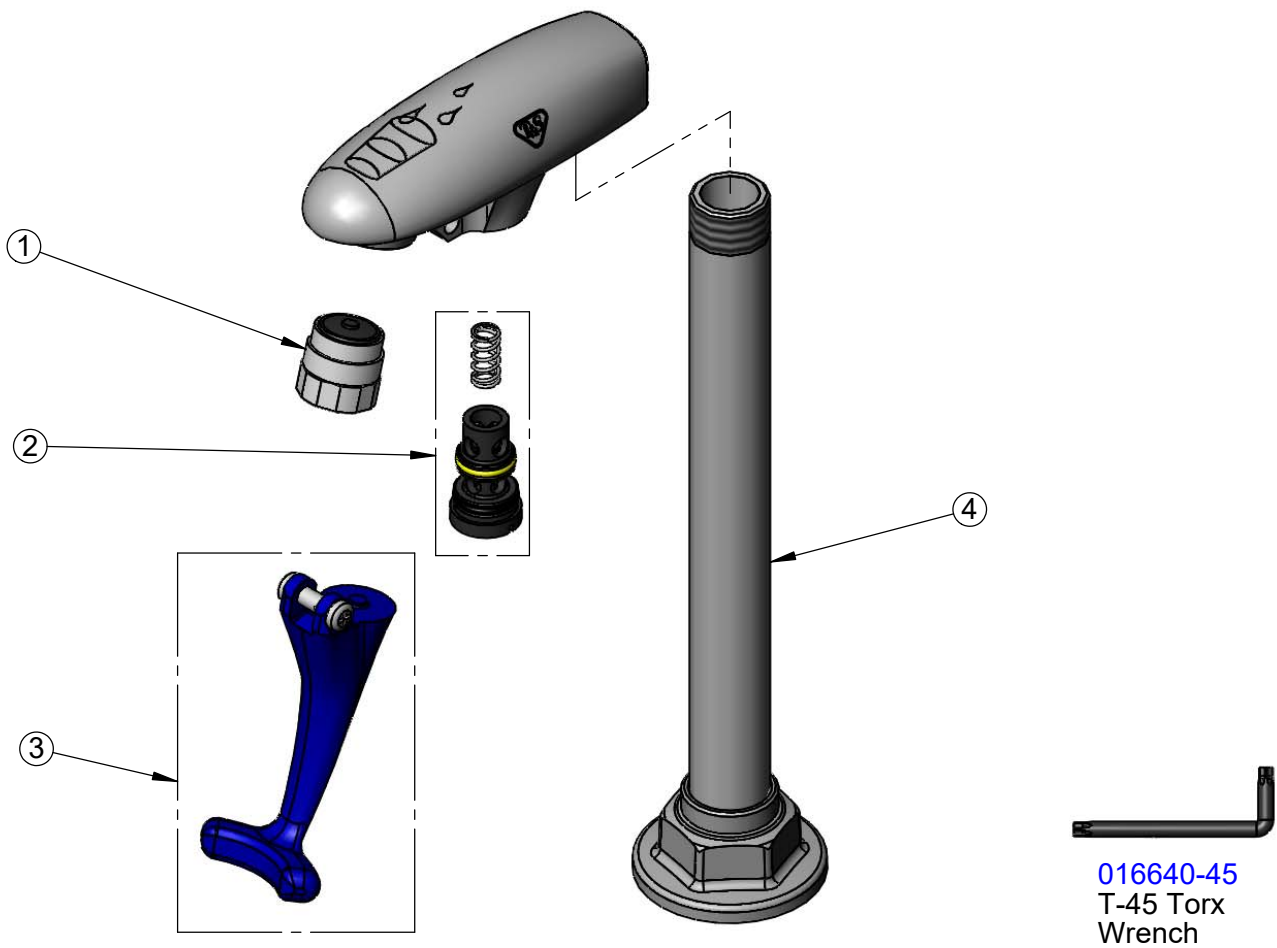
**T&S BRASS AND BRONZE WORKS, INC.**  
 2 Saddleback Cove / P.O. Box 1088  
 Travelers Rest, SC 29690

Model No.  
**B-1222**

Item No.

Travelers Rest, SC: 800-476-4103 • Simi Valley, CA: 800-423-0150 • Fax: 864-834-3518 • www.tsbrass.com

| ITEM NO. | SALES NO. | DESCRIPTION                      |
|----------|-----------|----------------------------------|
| 1        | 015588-40 | Adjustable Outlet w/ Torx Wrench |
| 2        | 015589-40 | Valve Assembly                   |
| 3        | 015550-45 | Lever Arm Repair Kit             |
| 4        | 015983-40 | B-1222 8" Pedestal & Flange      |



Product Specifications:  
 8" Pedestal Glass Filler, Push Back Design, 1/2" NPT Female Inlet, Dark Blue  
 Self-Closing Arm Designed for Water Coolers

Product Compliance:  
 ASME A112.18.1 / CSA B125.1  
 NSF 61 - Section 9  
 NSF 372 (Low Lead Content)