



T&S BRASS AND BRONZE WORKS, INC.

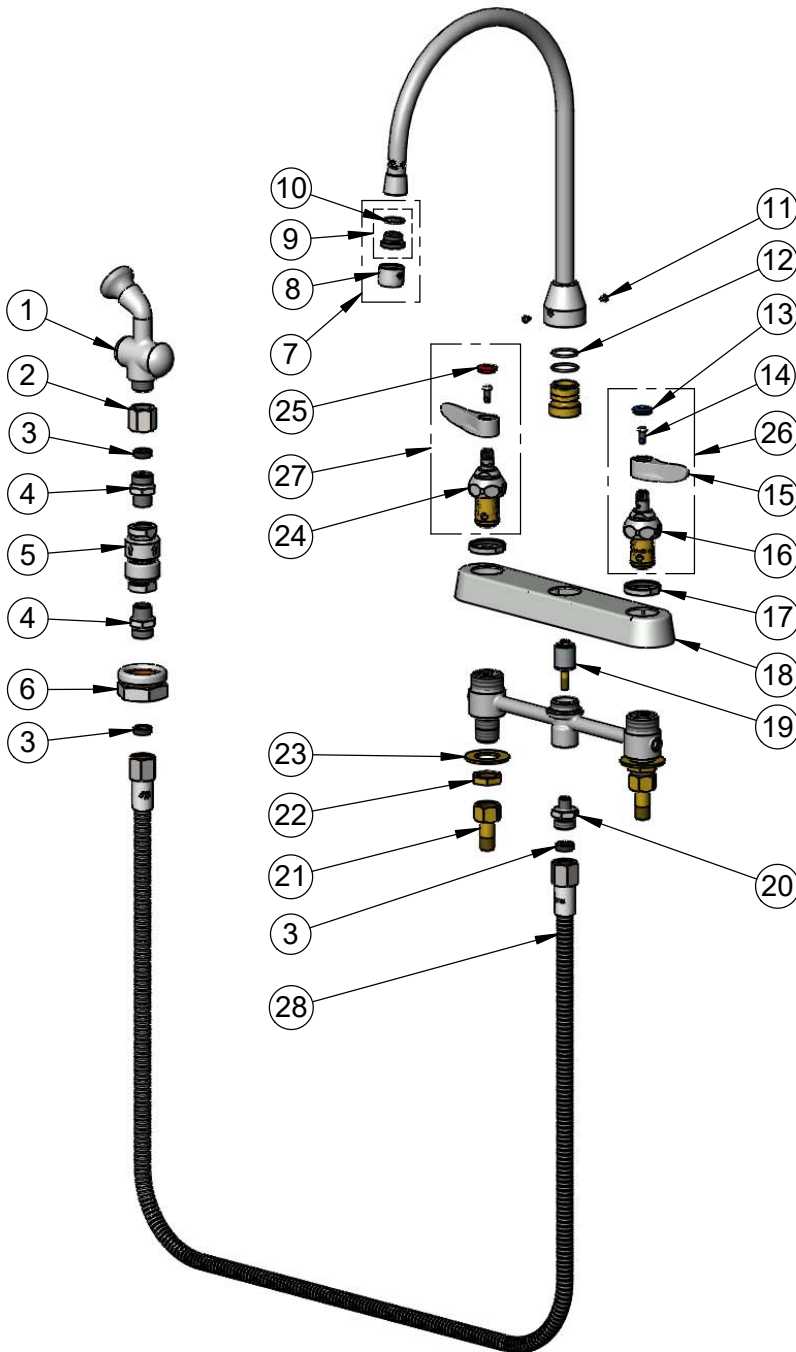
2 Saddleback Cove / P.O. Box 1088
Travelers Rest, SC 29690

Model No.

B-1172-T

Item No.

Travelers Rest, SC: 800-476-4103 • Simi Valley, CA: 800-423-0150 • Fax: 864-834-3518 • www.tsbrass.com



ITEM NO.	SALES NO.	DESCRIPTION
1	002857-40	2.2 GPM Spray Valve
2	146X	3/4-14 Coupling
3	010476-45	#27 Washer
4	053A	Adapter, 3/8" NPT x 3/4-14UN
5	B-0970-FE	3/8" NPT Vacuum Breaker
6	B-KF	Protective Flange
7	B-0199-02	2.2 GPM Aerator, 3/8" NPSM Male
8	B-0199-01	2.2 GPM Aerator, 55/64-27 UN Female
9	044A	3/8" to Aerator Adapter
10	001043-45	Washer
11	001486-45	Diverter Cover Screw
12	006562-45	O-Ring
13	018506-19NS	Blue Button Index, Press-in
14	000925-45	Lab Handle Screw
15	001638-45NS	Lever Handle (New Style)
16	012442-40NS	Quarter-Turn Eterna Cartridge w/ Spring Check, LTC
17	019376-40	Escutcheon Lock Nut
18	019375-40	B-1120 Eterna Workboard Escutcheon
19	002338-45	Valve Diverter Piston
20	000542-25	1/8" NPT x 3/4-14 Male Adapter
21	150A	1/4" NPT Tailpiece & Nut
22	002954-45	Shank Lock Nut
23	000999-45	Brass Lock Washer
24	012443-40NS	Quarter-Turn Eterna Cartridge w/ Spring Check, RTC
25	001193-19NS	Red Button Index, Press-in
26	002711-40NS	Quarter-Turn Eterna Cartridge w/ Spring Check, Handle, Blue Index & Screw, LTC
27	002712-40NS	Quarter-Turn Eterna Cartridge w/ Spring Check, Handle, Red Index & Screw, RTC
28	013E-96H	96" Flexible Stainless Steel Hose w/ Washers

Product Specifications:

8" Deck Mount Workboard Mixing Faucet, Quarter-Turn Eterna Cartridges w/ Spring Checks, Lever Handles, 8 13/16" Swivel Gooseneck, 2.2 GPM Aerator, 96" Flexible Stainless Steel Hose, Dual Check Vacuum Breaker, Push Button Spray Valve w/ 2.2 GPM Rosespray, Deck Flange & 1/2" NPT Male Inlets

Product Compliance:

ASME A112.18.1 / CSA B125.1
NSF 61 - Section 9
NSF 372 (Low Lead Content)
CSA B64.8 (VB)
2019 DOE PRSV Non-Compliant