



T&S BRASS AND BRONZE WORKS, INC.

2 Saddleback Cove / P.O. Box 1088
Travelers Rest, SC 29690

Model No.

B-1172-TS

Item No.

Travelers Rest, SC: 800-476-4103 • Simi Valley, CA: 800-423-0150 • Fax: 864-834-3518 • www.tsbrass.com



ADA Compliant

This Space for Architect/Engineer Approval

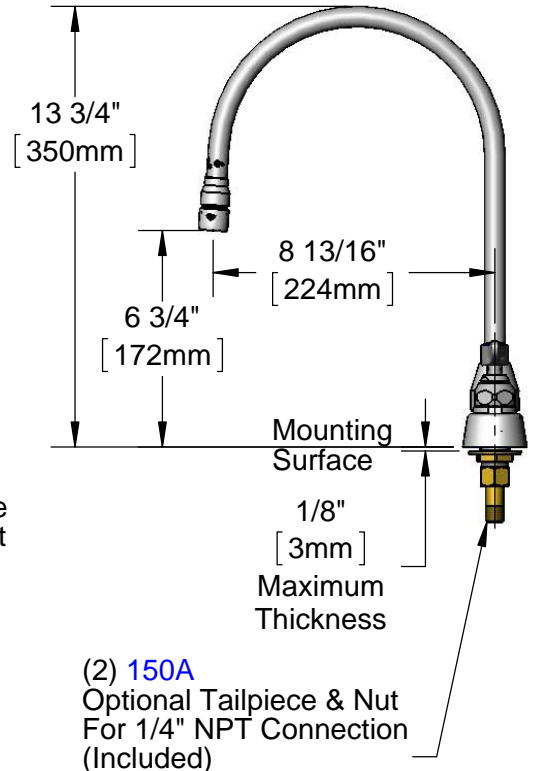
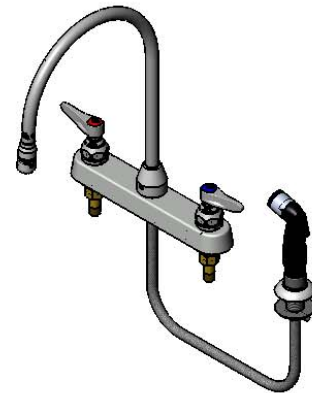
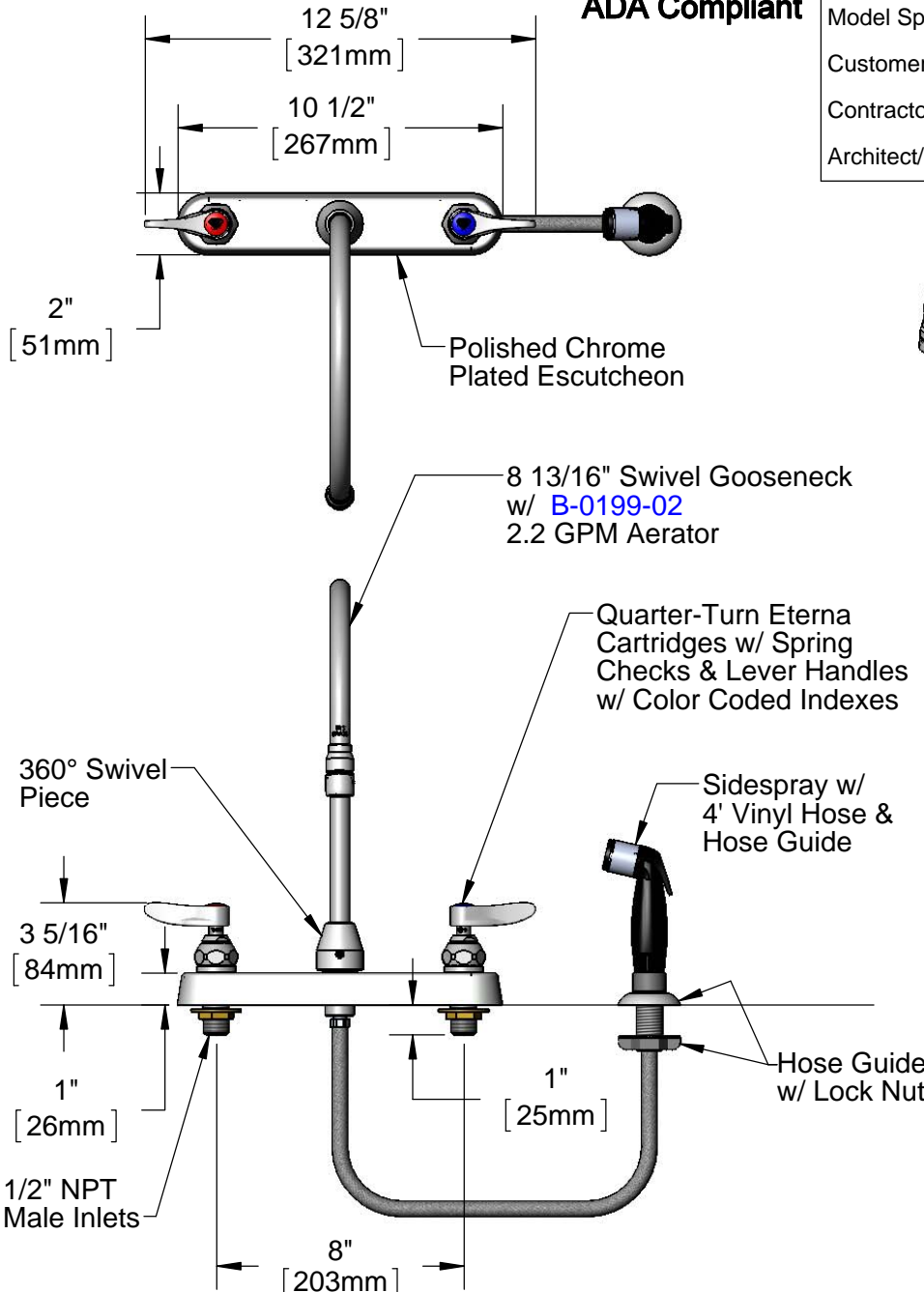
Job Name _____ Date _____

Model Specified _____ Quantity _____

Customer/Wholesaler _____

Contractor _____

Architect/Engineer _____



Rough-In Requirement:
Faucet: (3) Ø 1" [25mm] Mounting Holes
Sidespray: (1) Ø 1" [25mm] Mounting Hole

Product Specifications:

8" Deck Mount Workboard Faucet, Quarter-Turn Eterna Cartridges w/ Spring Checks, Lever Handles, 8 13/16" Swivel Gooseneck, 2.2 GPM Aerator, 4' Vinyl Hose Sidespray w/ Hose Guide & 1/2" NPT Male Inlets

Product Compliance:

ASME A112.18.1 / CSA B125.1
NSF 61 - Section 9
NSF 372 (Low Lead Content)
ANSI A117.1 (ADA)



T&S BRASS AND BRONZE WORKS, INC.

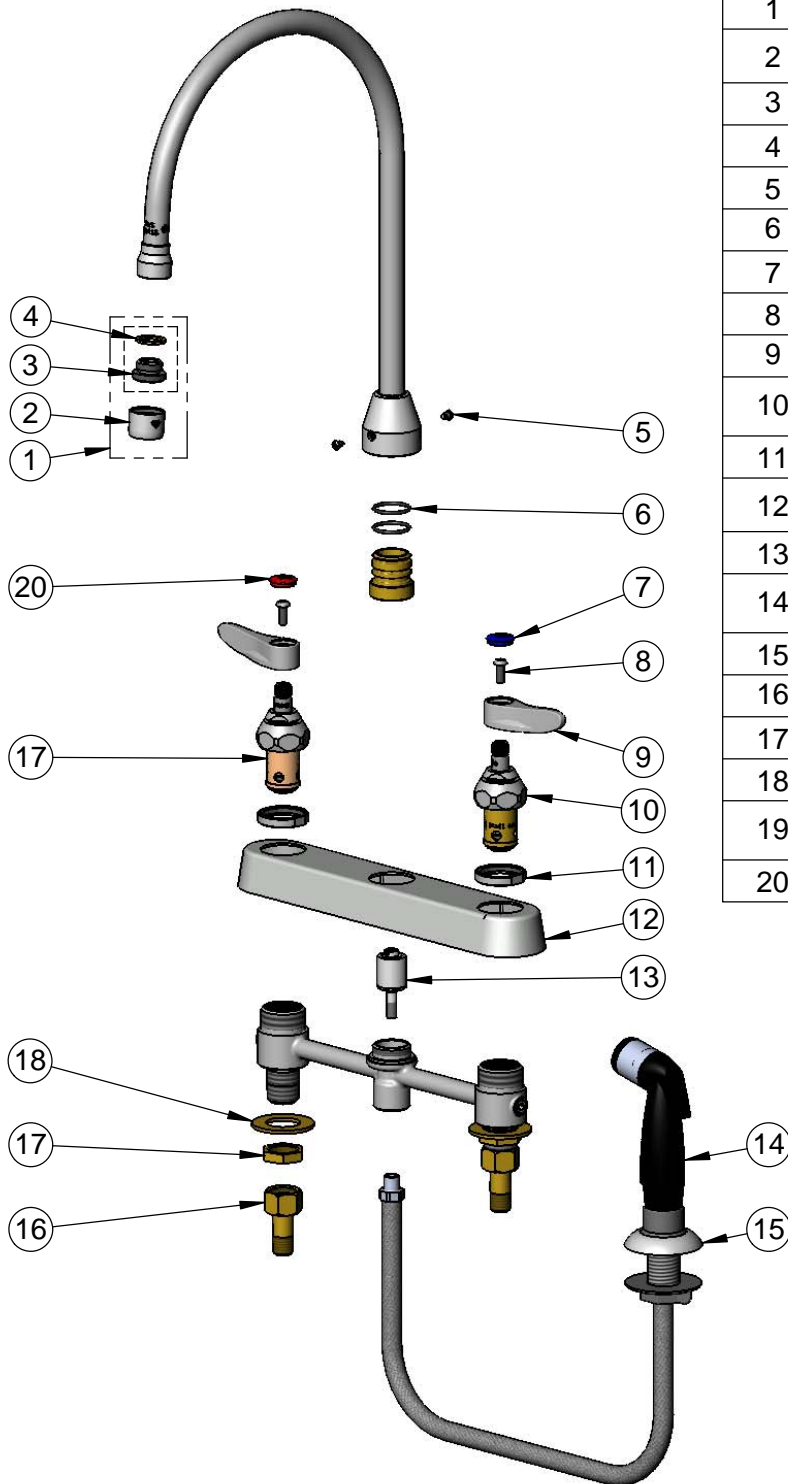
2 Saddleback Cove / P.O. Box 1088
Travelers Rest, SC 29690

Model No.

B-1172-TS

Item No.

Travelers Rest, SC: 800-476-4103 • Simi Valley, CA: 800-423-0150 • Fax: 864-834-3518 • www.tsbrass.com



ITEM NO.	SALES NO.	DESCRIPTION
1	B-0199-02	2.2 GPM Aerator, 3/8" NPSM Male
2	B-0199-01	2.2 GPM Aerator, 55/64"-27 UN Female
3	044A	3/8" to Aerator Adapter
4	001043-45	Washer
5	001486-45	Diverter Cover Screw
6	001069-45	O-ring
7	019363-45	Blue Button Index, Press-in
8	000925-45	Lab Handle Screw
9	019361-45	Lever Handle (New Style)
10	019382-40	Quarter-Turn New Style Eterna Cartridge w/ Spring Check, LTC
11	019376-40	Escutcheon Lock Nut
12	019375-40	B-1120 Eterna Workboard Escutcheon
13	002338-45	Valve Diverter Piston
14	001495-45	Sidespray w/ 4' Vinyl Hose & Hose Guide
15	001496-45	Hose Guide
16	150A	1/4" NPT Tailpiece & Nut
17	002954-45	Shank Lock Nut
18	000999-45	Brass Lock Washer
19	019383-40	Quarter-Turn New Style Eterna Cartridge w/ Spring Check, RTC
20	019364-45	Red Button Index, Press-in

Product Specifications:

8" Deck Mount Workboard Faucet, Quarter-Turn Eterna Cartridges w/ Spring Checks, Lever Handles, 8 13/16" Swivel Gooseneck, 2.2 GPM Aerator, 4' Vinyl Hose Sidespray w/ Hose Guide & 1/2" NPT Male Inlets

Product Compliance:

ASME A112.18.1 / CSA B125.1
NSF 61 - Section 9
NSF 372 (Low Lead Content)
ANSI A117.1 (ADA)