



**T&S BRASS AND BRONZE WORKS, INC.**  
 2 Saddleback Cove / P.O. Box 1088  
 Travelers Rest, SC 29690

Model No.  
**B-1172-01-CD**

Item No.

Travelers Rest, SC: 800-476-4103 • Simi Valley, CA: 800-423-0150 • Fax: 864-834-3518 • www.tsbrass.com

This Space for Architect/Engineer Approval

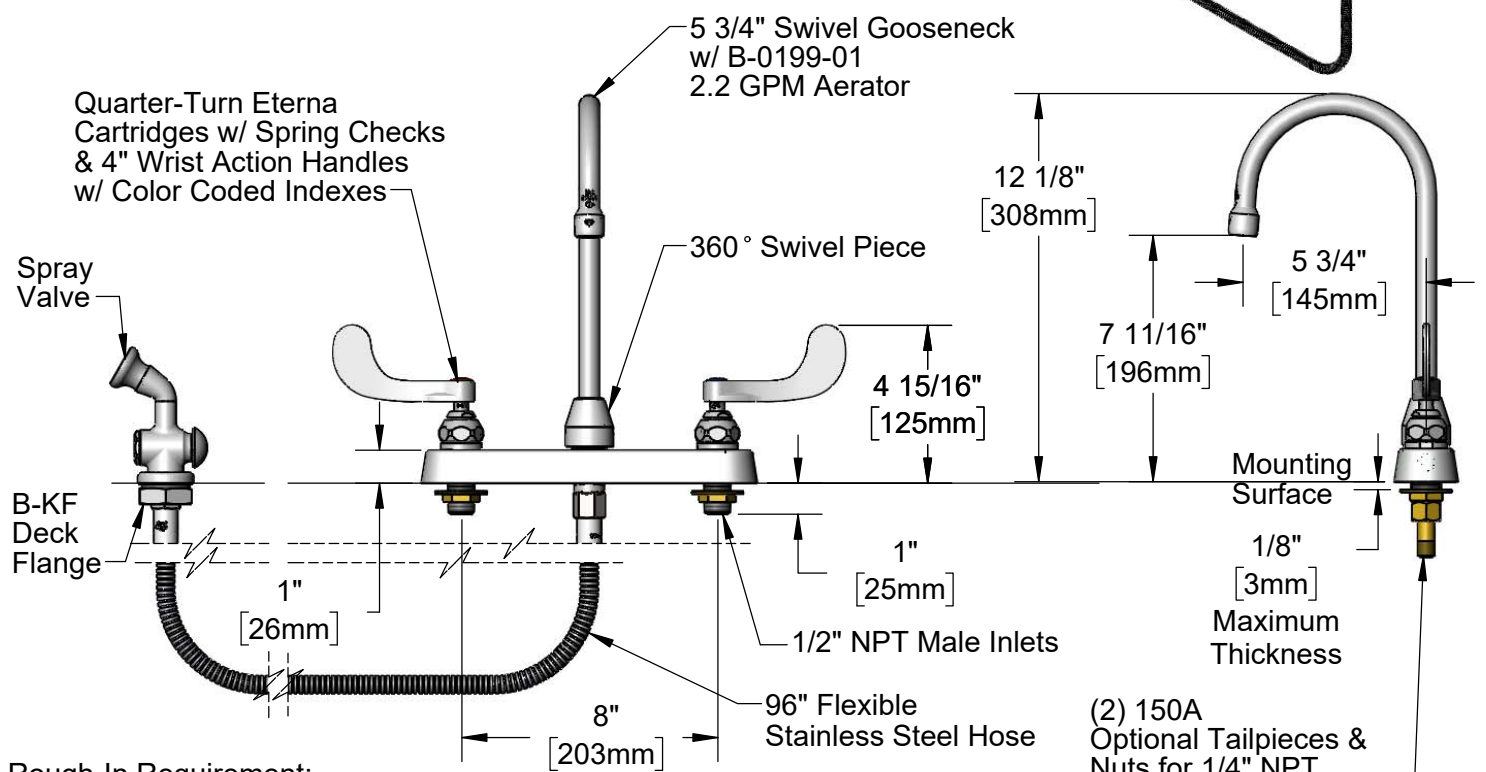
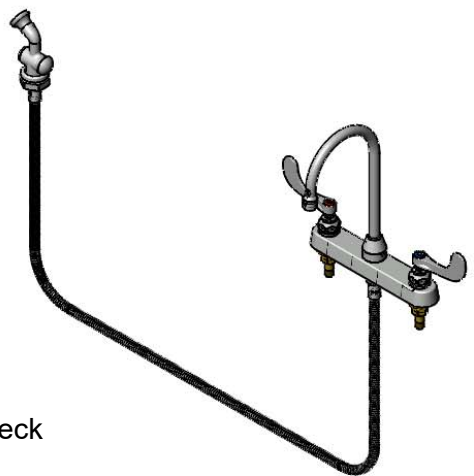
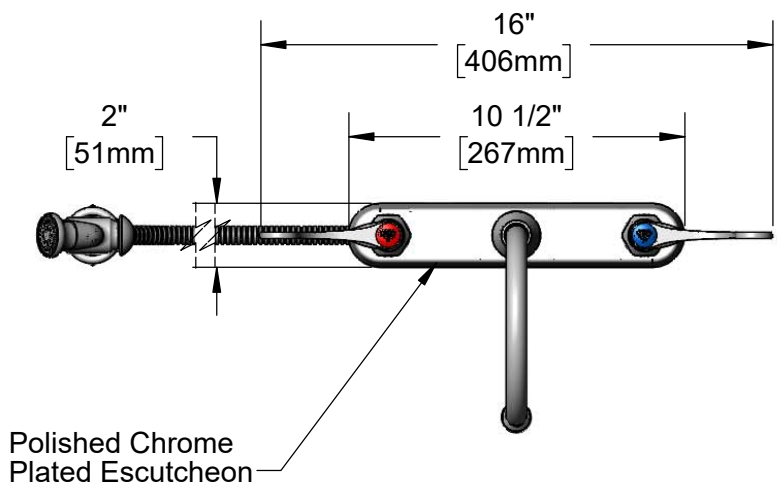
Job Name \_\_\_\_\_ Date \_\_\_\_\_

Model Specified \_\_\_\_\_ Quantity \_\_\_\_\_

Customer/Wholesaler \_\_\_\_\_

Contractor \_\_\_\_\_

Architect/Engineer \_\_\_\_\_



**Rough-In Requirement:**  
 Faucet: (3)  $\phi$  1" [25mm] Mounting Holes  
 Deck Flange: (1)  $\phi$  1 9/16" [40mm] Mounting Hole

**Product Specifications:**  
 8" Deck Mount Workboard Mixing Faucet, Quarter-Turn Eterna Cartridges w/ Spring Checks, 4" Wrist Action Handles, 5 3/4" Swivel Gooseneck, 2.2 GPM Aerator, 96" Flexible Stainless Steel Hose, Spray Valve 2.2 GPM Rosespray, Deck Flange & 1/2" NPT Male Inlets

**Product Compliance:**  
 ASME A112.18.1 / CSA B125.1  
 NSF 61 - Section 9  
 NSF 372 (Low Lead Content)  
 2019 DOE PRSV Non-Compliant



# T&S BRASS AND BRONZE WORKS, INC.

2 Saddleback Cove / P.O. Box 1088  
Travelers Rest, SC 29690

Model No.

**B-1172-01-CD**

Item No.

Travelers Rest, SC: 800-476-4103 • Simi Valley, CA: 800-423-0150 • Fax: 864-834-3518 • www.tsbrass.com

ITEM NO.	SALES NO.	DESCRIPTION
1	002857-40	2.2 GPM Spray Valve Assembly
2	001010-40	Washer, Stainless Steel
3	B-KF	Protective Flange
4	010476-45	#27 Washer
5	013E-96H	96" Flexible Stainless Steel Hose w/ Washers
6	B-0199-01	2.2 GPM Aerator, 55/64-27 UN Female
7	001486-45	Diverter Cover Screw
8	006562-45	O-Ring
9	018506-19NS	Blue Button Index, Press-in
10	000925-45	Lab Handle Screw
11	012442-40NS	Quarter-Turn Eterna Cartridge w/ Spring Check, LTC
12	019376-40	Escutcheon Lock Nut
13	019375-40	B-1120 Eterna Workboard Escutcheon
14	002338-45	Valve Diverter Piston
15	000542-25	1/8" NPT x 3/4-14 Male Adapter
16	150A	1/4" NPT Tailpiece & Nut
17	002954-45	Shank Lock Nut
18	000999-45	Brass Lock Washer
19	012443-40NS	Quarter-Turn Eterna Cartridge w/ Spring Check, RTC
20	B-WH4-NS	Wrist Action Handle - New Style
21	001193-19NS	Red Button Index, Press-in
22	B-WH4C-NS	Wrist Action Handle, Blue Index & Screw
23	B-WH4H-NS	Wrist Action Handle, Red Index & Screw

**Product Specifications:**  
8" Deck Mount Workboard Mixing Faucet, Quarter-Turn Eterna Cartridges w/ Spring Checks, 4" Wrist Action Handles, 5 3/4" Swivel Gooseneck, 2.2 GPM Aerator, 96" Flexible Stainless Steel Hose, Spray Valve 2.2 GPM Rosespray, Deck Flange & 1/2" NPT Male Inlets

**Product Compliance:**  
ASME A112.18.1 / CSA B125.1  
NSF 61 - Section 9  
NSF 372 (Low Lead Content)  
2019 DOE PRSV Non-Compliant