



**T&S BRASS AND BRONZE WORKS, INC.**  
 2 Saddleback Cove / P.O. Box 1088  
 Travelers Rest, SC 29690

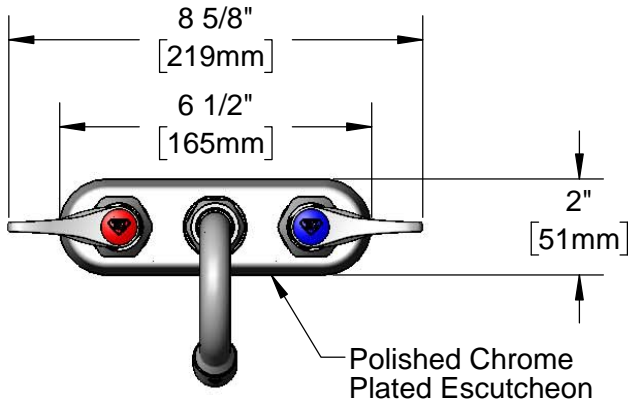
Model No.  
**B-1141-01**

Item No.

Travelers Rest, SC: 800-476-4103 • Simi Valley, CA: 800-423-0150 • Fax: 864-834-3518 • www.tsbrass.com



**ADA Compliant**



This Space for Architect/Engineer Approval

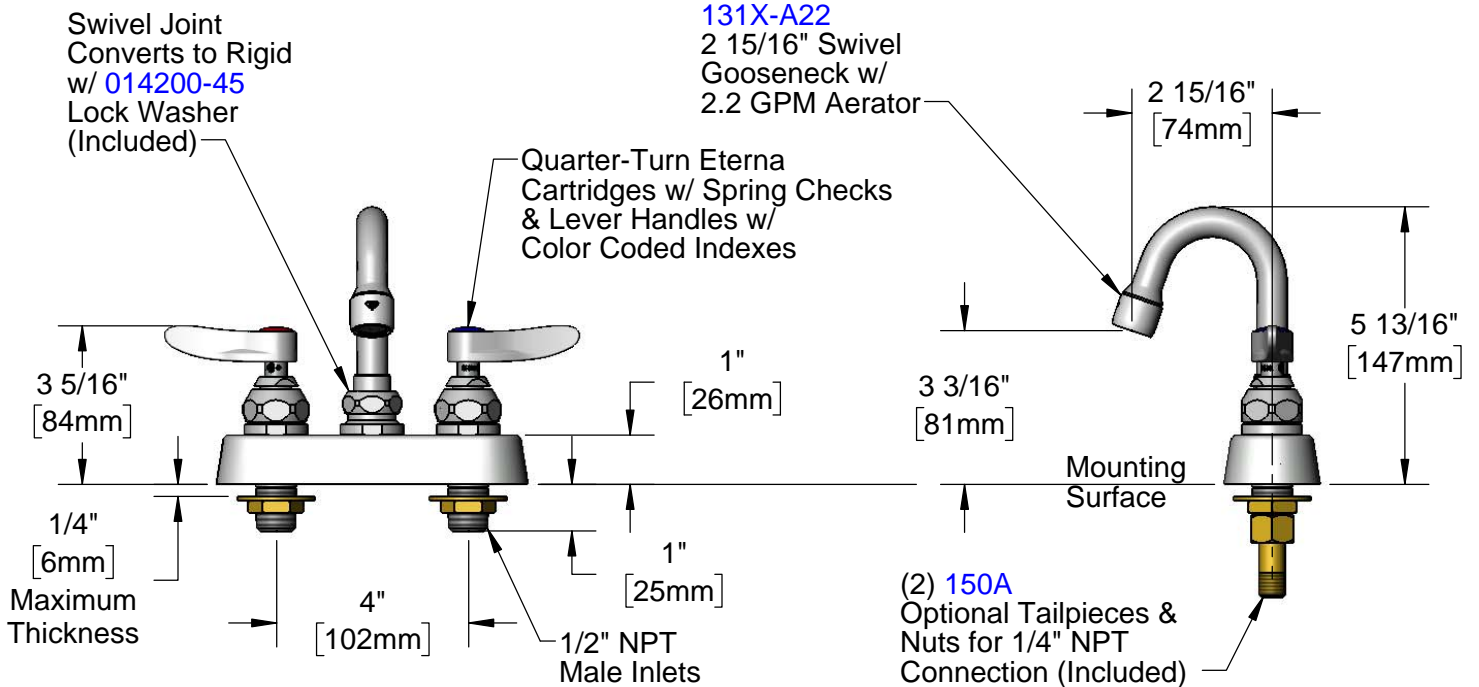
Job Name \_\_\_\_\_ Date \_\_\_\_\_

Model Specified \_\_\_\_\_ Quantity \_\_\_\_\_

Customer/Wholesaler \_\_\_\_\_

Contractor \_\_\_\_\_

Architect/Engineer \_\_\_\_\_



Rough-In Requirement:  
 (2)  $\varnothing$  1" [25mm] Mounting Holes

Product Specifications:  
 4" Deck Mount Workboard Faucet, Quarter-Turn Eterna Cartridges w/ Spring Checks, Lever Handles, 2 15/16" Swivel Gooseneck, 2.2 GPM Aerator & 1/2" NPT Male Inlets

Product Compliance:  
 ASME A112.18.1 / CSA B125.1  
 NSF 61 - Section 9  
 NSF 372 (Low Lead Content)  
 ANSI A117.1 (ADA)

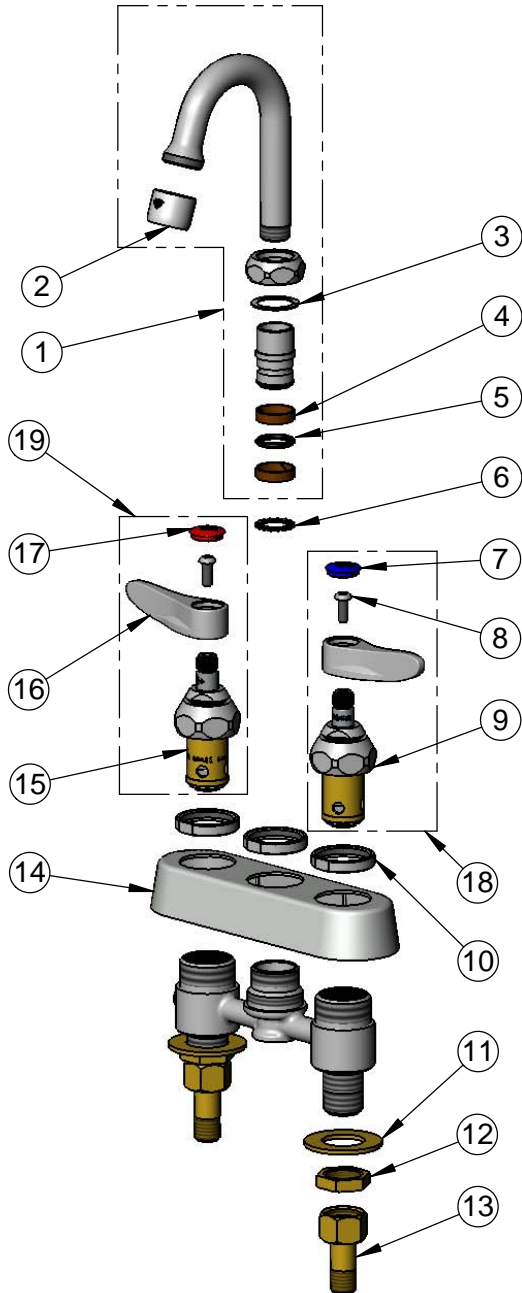


**T&S BRASS AND BRONZE WORKS, INC.**  
 2 Saddleback Cove / P.O. Box 1088  
 Travelers Rest, SC 29690

Model No.  
**B-1141-01**  
 Item No.

Travelers Rest, SC: 800-476-4103 • Simi Valley, CA: 800-423-0150 • Fax: 864-834-3518 • www.tsbrass.com

| ITEM NO. | SALES NO.   | DESCRIPTION  |
|----------|-------------|--|
| 1        | 131X-A22    | 2 15/16" Swivel Gooseneck w/ 2.2 GPM Aerator                                   |
| 2        | B-0199-01   | 2.2 GPM Aerator, 55/64"-27 UN Female   |
| 3        | 009538-45   | Swivel Washer  |
| 4        | 011429-45   | Swivel Sleeves (2)   |
| 5        | 001074-45   | O-Ring   |
| 6        | 014200-45   | Star Washer, Anti-Rotation   |
| 7        | 018506-19NS | Blue Button Index, Press-in  |
| 8        | 000925-45   | Lab Handle Screw   |
| 9        | 012442-40NS | Quarter-Turn New Style Eterna Cartridge w/ Spring Check, LTC                   |
| 10       | 019376-40   | Escutcheon Lock Nut  |
| 11       | 000999-45   | Brass Lock Washer  |
| 12       | 002954-45   | Shank Lock Nut   |
| 13       | 150A        | 1/4" NPT Tailpiece & Nut   |
| 14       | 019374-40   | B-1110 Eterna Workboard Escutcheon   |
| 15       | 012443-40NS | Quarter-Turn New Style Eterna Cartridge w/ Spring Check, RTC                   |
| 16       | 001638-45NS | Lever Handle (New Style)   |
| 17       | 001193-19NS | Red Button Index, Press-in   |
| 18       | 002711-40NS | Quarter-Turn Eterna Cartridge w/ Spring Check, Handle, Blue Index & Screw, LTC |
| 19       | 002712-40NS | Quarter-Turn Eterna Cartridge w/ Spring Check, Handle, Red Index & Screw, RTC  |



**Product Specifications:**  
 4" Deck Mount Workboard Faucet, Quarter-Turn Eterna Cartridges w/ Spring Checks, Lever Handles, 2 15/16" Swivel Gooseneck, 2.2 GPM Aerator & 1/2" NPT Male Inlets

**Product Compliance:**  
 ASME A112.18.1 / CSA B125.1  
 NSF 61 - Section 9  
 NSF 372 (Low Lead Content)  
 ANSI A117.1 (ADA)