



T&S BRASS AND BRONZE WORKS, INC.
 2 Saddleback Cove / P.O. Box 1088
 Travelers Rest, SC 29690

Model No.
B-1122-XS

Item No.

Travelers Rest, SC: 800-476-4103 • Simi Valley, CA: 800-423-0150 • Fax: 864-834-3518 • www.tsbrass.com



ADA Compliant

This Space for Architect/Engineer Approval

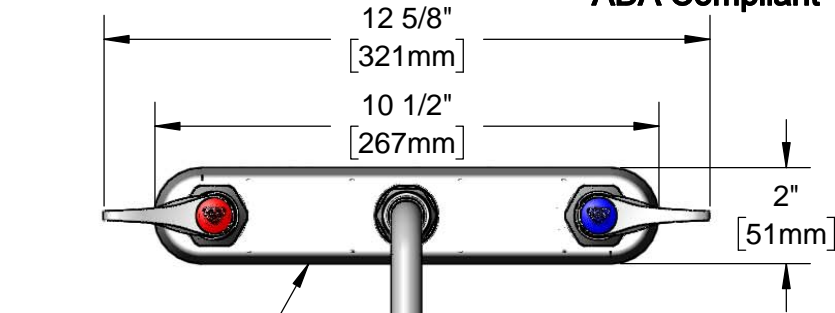
Job Name _____ Date _____

Model Specified _____ Quantity _____

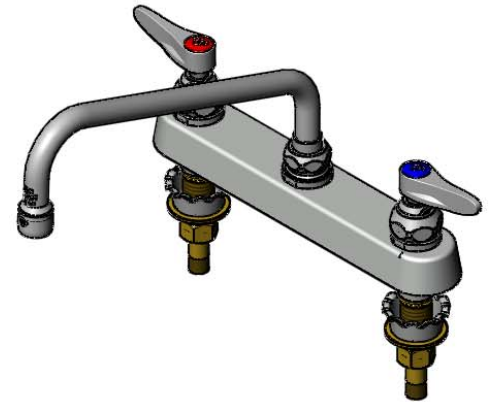
Customer/Wholesaler _____

Contractor _____

Architect/Engineer _____



Polished Chrome
Plated Escutcheon



Swivel Joint
Converts to Rigid
w/ **014200-45**
Lock Washer
(Included)

Quarter-Turn
Eterna Cartridges
w/ Spring Checks
& Lever Handles
w/ Color Coded
Indexes

061X-A22
10" Swing Nozzle w/
2.2 GPM Aerator

3 5/16"
[84mm]

7 7/16"
[189mm]

4 5/16"
[109mm]

Mounting
Surface

1 1/8"
[29mm]
Maximum
Thickness

8"
[203mm]

1/2" NPSM
Extended
Male Inlets

(2) **150A**
Optional Tailpieces
& Nuts For 1/4" NPT
Connection (Included)

Rough-In Requirement:
(2) ϕ 1" [25mm] Mounting Holes

Product Specifications:
 8" Deck Mount Workboard Faucet, Quarter-Turn Eterna Cartridges w/ Spring Checks, Lever Handles, 10" Swing Nozzle, 2.2 GPM Aerator & 1/2" NPSM Extended Male Inlets

Product Compliance:
 ASME A112.18.1 / CSA B125.1
 NSF 61 - Section 9
 NSF 372 (Low Lead Content)
 ANSI A117.1 (ADA)



T&S BRASS AND BRONZE WORKS, INC.

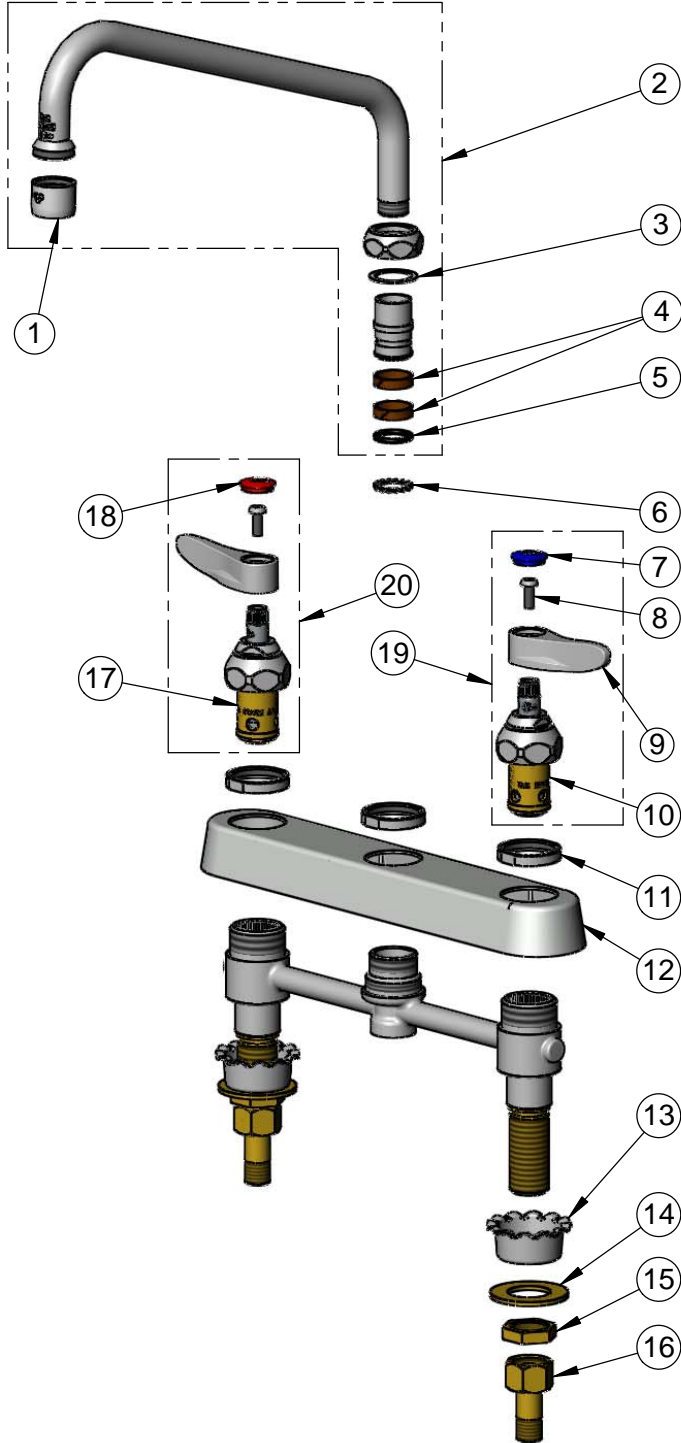
2 Saddleback Cove / P.O. Box 1088
Travelers Rest, SC 29690

Model No.

B-1122-XS

Item No.

Travelers Rest, SC: 800-476-4103 • Simi Valley, CA: 800-423-0150 • Fax: 864-834-3518 • www.tsbrass.com



ITEM NO.	SALES NO.	DESCRIPTION
1	B-0199-01	2.2 GPM Aerator, 55/64"-27 UN Female
2	061X-A22	10" Swing Nozzle w/ 2.2 GPM Aerator
3	009538-45	Swivel Washer
4	011429-45	Swivel Sleeves (2)
5	001074-45	O-Ring
6	014200-45	Star Washer, Anti-Rotation
7	018506-19NS	Blue Button Index, Press-in
8	000925-45	Lab Handle Screw
9	001638-45NS	Lever Handle (New Style)
10	012442-40NS	Quarter-Turn New Style Eterna Cartridge w/ Spring Check, LTC
11	019376-40	Escutcheon Lock Nut
12	019375-40	B-1120 Eterna Workboard Escutcheon
13	001000-45	Rosette Washer
14	000999-45	Brass Lock Washer
15	002954-45	Shank Lock Nut
16	150A	1/4" NPT Tailpiece & Nut
17	012443-40NS	Quarter-Turn New Style Eterna Cartridge w/ Spring Check, RTC
18	001193-19NS	Red Button Index, Press-in
19	002711-40NS	Quarter-Turn Eterna Cartridge w/ Spring Check, Handle, Blue Index & Screw, LTC
20	002712-40NS	Quarter-Turn Eterna Cartridge w/ Spring Check, Handle, Red Index & Screw, RTC

Product Specifications:

8" Deck Mount Workboard Faucet, Quarter-Turn Eterna Cartridges w/ Spring Checks, Lever Handles, 10" Swing Nozzle, 2.2 GPM Aerator & 1/2" NPSM Extended Male Inlets

Product Compliance:

ASME A112.18.1 / CSA B125.1
NSF 61 - Section 9
NSF 372 (Low Lead Content)
ANSI A117.1 (ADA)