



**T&S BRASS AND BRONZE WORKS, INC.**  
 2 Saddleback Cove / P.O. Box 1088  
 Travelers Rest, SC 29690

Model No.  
**B-1120-LN**

Item No.

Travelers Rest, SC: 800-476-4103 • Simi Valley, CA: 800-423-0150 • Fax: 864-834-3518 • www.tsbrass.com



**ADA Compliant**

This Space for Architect/Engineer Approval

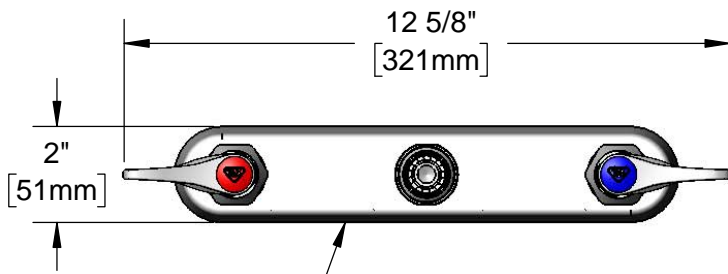
Job Name \_\_\_\_\_ Date \_\_\_\_\_

Model Specified \_\_\_\_\_ Quantity \_\_\_\_\_

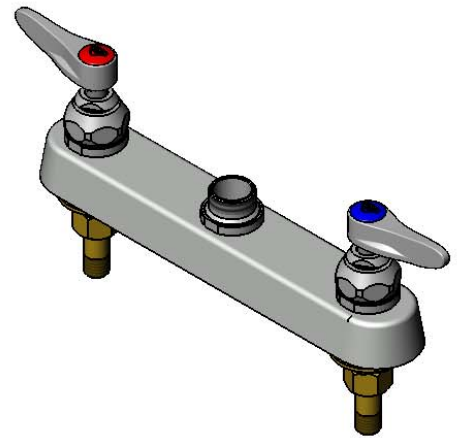
Customer/Wholesaler \_\_\_\_\_

Contractor \_\_\_\_\_

Architect/Engineer \_\_\_\_\_

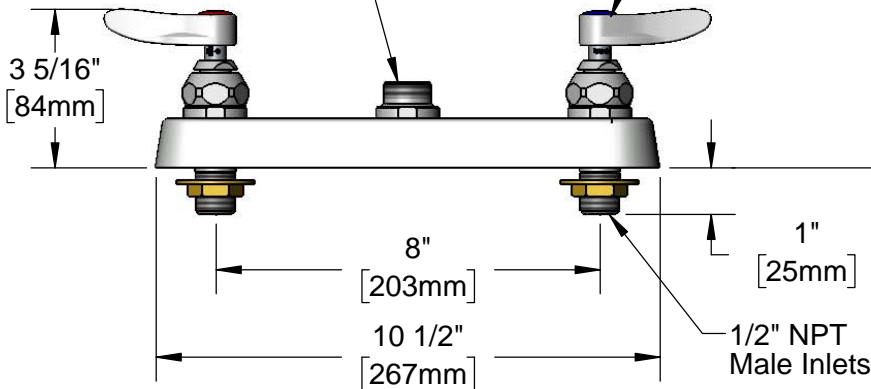


Polished Chrome  
Plated Escutcheon



Swivel Outlet Accepts  
Standard T&S Swing  
Nozzles. Converts to  
Rigid w/ 014200-45  
Lock Washer (Included)

Quarter-Turn Eterna  
Cartridges w/ Spring  
Checks & Lever Handles  
w/ Color Coded Indexes



Mounting  
Surface

(2) 150A  
Optional Tailpieces &  
Nuts for 1/4" NPT  
Connection (Included)

1/4"  
[6mm]  
Maximum  
Thickness

Rough-In Requirement:  
(2)  $\varnothing$ 1" [25mm] Mounting Holes

Product Specifications:  
8" Deck Mount Workboard Faucet Less Nozzle, Quarter-Turn Eterna Cartridges w/ Spring Checks, Lever Handles & 1/2" NPT Male Inlets

Product Compliance:  
ASME A112.18.1 / CSA B125.1  
NSF 61 - Section 9  
NSF 372 (Low Lead Content)  
ANSI A117.1 (ADA)



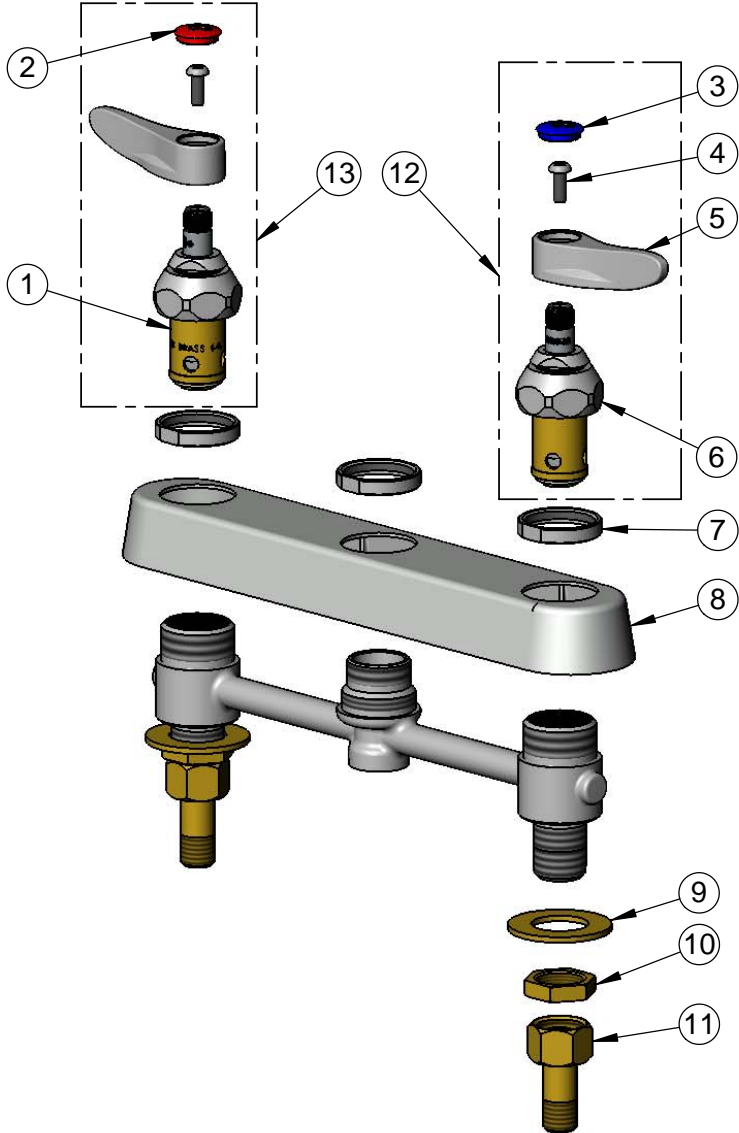
**T&S BRASS AND BRONZE WORKS, INC.**  
 2 Saddleback Cove / P.O. Box 1088  
 Travelers Rest, SC 29690

Model No.  
**B-1120-LN**

Item No.

Travelers Rest, SC: 800-476-4103 • Simi Valley, CA: 800-423-0150 • Fax: 864-834-3518 • www.tsbrass.com

ITEM NO.	SALES NO.	DESCRIPTION
1	012443-40NS	Quarter-Turn New Style Eterna Cartridge w/ Spring Check, RTC
2	001193-19NS	Red Button Index, Press-in
3	018506-19NS	Blue Button Index, Press-in
4	000925-45	Lab Handle Screw
5	001638-45NS	Lever Handle (New Style)
6	012442-40NS	Quarter-Turn New Style Eterna Cartridge w/ Spring Check, LTC
7	019376-40	Escutcheon Lock Nut
8	019375-40	B-1120 Eterna Workboard Escutcheon
9	000999-45	Brass Lock Washer
10	002954-45	Shank Lock Nut
11	150A	1/4" NPT Tailpiece & Nut
12	002711-40NS	Quarter-Turn Eterna Cartridge, w/ Spring Check, Handle, Index & Screw, LTC
13	002712-40NS	Quarter-Turn Eterna Cartridge w/ Spring Check, Handle, Red Index & Screw, RTC



  
**014200-45**  
 Lock Washer  
 (Converts Swivel to Rigid)

Product Specifications:  
 8" Deck Mount Workboard Faucet Less Nozzle, Quarter-Turn Eterna Cartridges w/ Spring Checks, Lever Handles & 1/2" NPT Male Inlets

Product Compliance:  
 ASME A112.18.1 / CSA B125.1  
 NSF 61 - Section 9  
 NSF 372 (Low Lead Content)  
 ANSI A117.1 (ADA)