



**T&S BRASS AND BRONZE WORKS, INC.**  
 2 Saddleback Cove / P.O. Box 1088  
 Travelers Rest, SC 29690

Model No.  
**B-1111-WH4**

Item No.

Travelers Rest, SC: 800-476-4103 • Simi Valley, CA: 800-423-0150 • Fax: 864-834-3518 • www.tsbrass.com



**ADA Compliant**

This Space for Architect/Engineer Approval

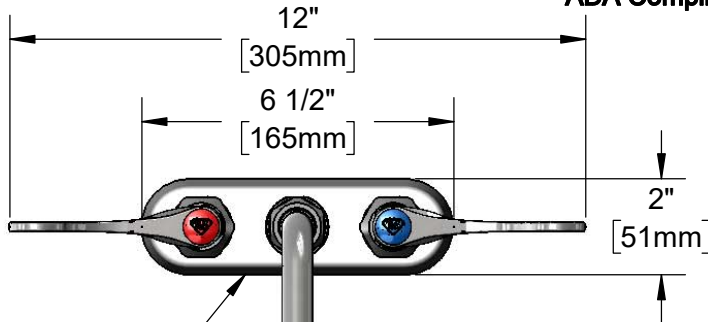
Job Name \_\_\_\_\_ Date \_\_\_\_\_

Model Specified \_\_\_\_\_ Quantity \_\_\_\_\_

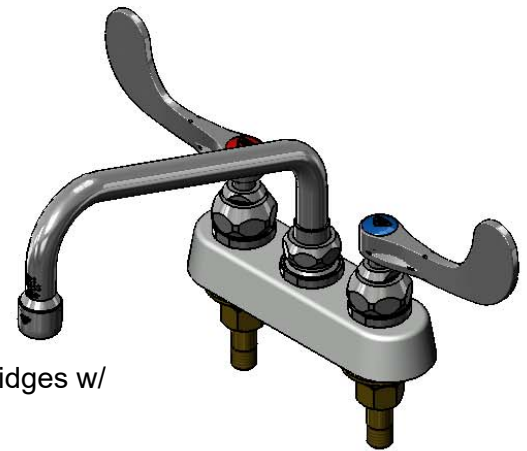
Customer/Wholesaler \_\_\_\_\_

Contractor \_\_\_\_\_

Architect/Engineer \_\_\_\_\_



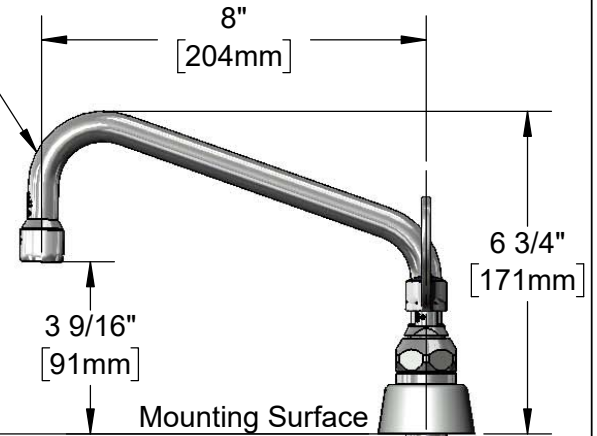
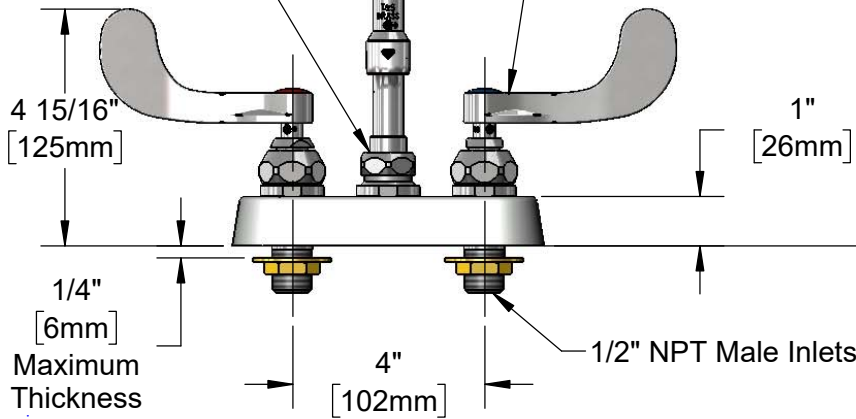
Polished Chrome Plated Escutcheon



Swivel Joint Converts to Rigid w/ **014200-45** Lock Washer (Included)

Quarter-Turn Eterna Cartridges w/ Spring Checks & 4" Wrist Action Handles w/ Color Coded Indexes

**060X-A22**  
 8" Swing Nozzle w/ 2.2 GPM Aerator



(2) **150A**  
 Optional Tailpieces & Nuts For 1/4" NPT Connection (Included)

Rough-In Requirement:  
 (2)  $\varnothing$  1" [25mm] Mounting Holes

**Product Specifications:**

4" Deck Mount Workboard Faucet, Quarter-Turn Eterna Cartridges w/ Spring Checks, 4" Wrist Action Handles, 8" Swing Nozzle, 2.2 GPM Aerator & 1/2" NPT Male Inlets

**Product Compliance:**

ASME A112.18.1 / CSA B125.1  
 NSF 61 - Section 9  
 NSF 372 (Low Lead Content)  
 ANSI A117.1 (ADA)

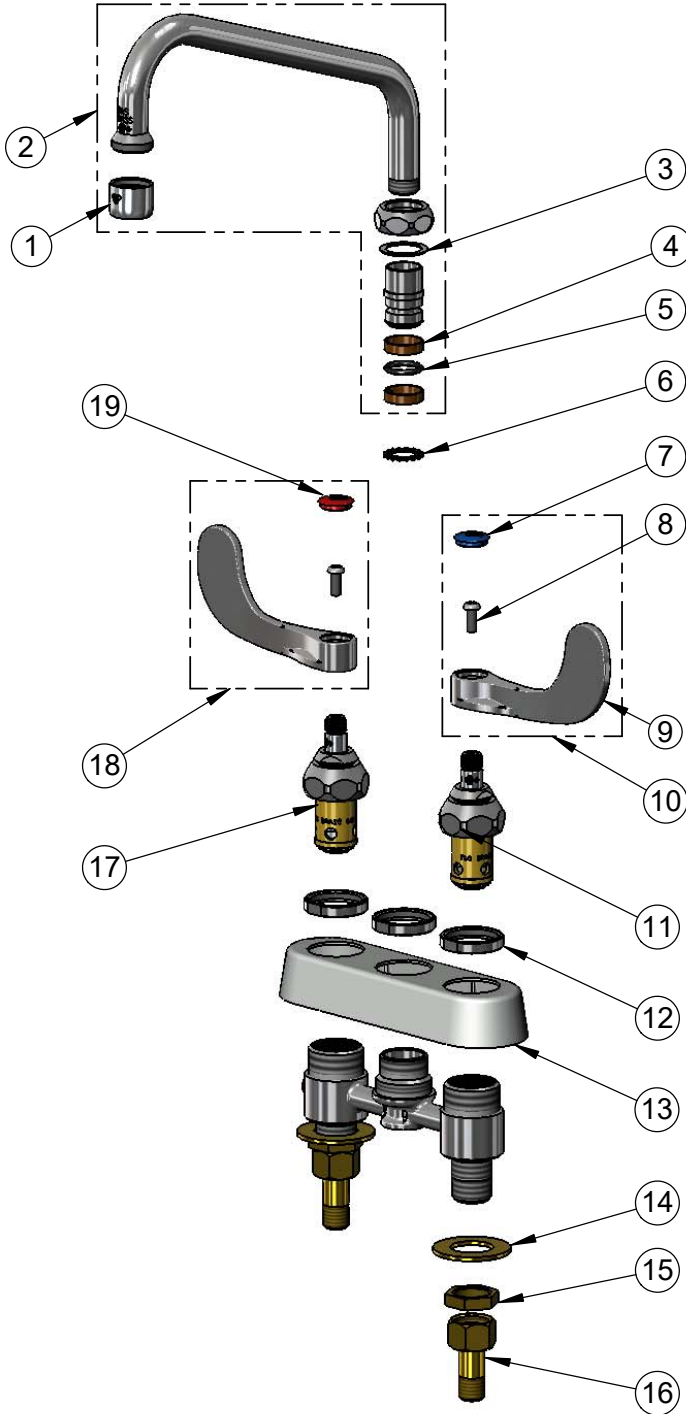


**T&S BRASS AND BRONZE WORKS, INC.**  
 2 Saddleback Cove / P.O. Box 1088  
 Travelers Rest, SC 29690

Model No.  
**B-1111-WH4**

Item No.

Travelers Rest, SC: 800-476-4103 • Simi Valley, CA: 800-423-0150 • Fax: 864-834-3518 • www.tsbrass.com



| ITEM NO. | SALES NO.   | DESCRIPTION  |
|----------|-------------|--|
| 1        | B-0199-01   | 2.2 GPM Aerator, 55/64-27 UN Female                |
| 2        | 060X-A22    | 8" Swing Nozzle w/ 2.2 GPM Aerator                 |
| 3        | 009538-45   | Swivel Washer                                      |
| 4        | 011429-45   | Swivel Sleeves (2)                                 |
| 5        | 001074-45   | O-Ring   |
| 6        | 014200-45   | Star Washer, Anti-Rotation                         |
| 7        | 018506-19NS | Blue Button Index, Press-in                        |
| 8        | 000925-45   | Lab Handle Screw                                   |
| 9        | B-WH4-NS    | Wrist Action Handle (New Style)                    |
| 10       | B-WH4C-NS   | Wrist Action Handle, Blue Index & Screw            |
| 11       | 012442-40NS | Quarter-Turn Eterna Cartridge w/ Spring Check, LTC |
| 12       | 019376-40   | Escutcheon Lock Nut                                |
| 13       | 019374-40   | B-1110 Eterna Workboard Escutcheon                 |
| 14       | 000999-45   | Brass Lock Washer                                  |
| 15       | 002954-45   | Shank Lock Nut                                     |
| 16       | 150A        | 1/4" NPT Tailpiece & Nut                           |
| 17       | 012443-40NS | Quarter-Turn Eterna Cartridge w/ Spring Check, RTC |
| 18       | B-WH4H-NS   | Wrist Action Handle, Red Index & Screw             |
| 19       | 001193-19NS | Red Button Index, Press-in                         |

**Product Specifications:**  
 4" Deck Mount Workboard Faucet, Quarter-Turn Eterna Cartridges w/ Spring Checks, 4" Wrist Action Handles, 8" Swing Nozzle, 2.2 GPM Aerator & 1/2" NPT Male Inlets

**Product Compliance:**  
 ASME A112.18.1 / CSA B125.1  
 NSF 61 - Section 9  
 NSF 372 (Low Lead Content)  
 ANSI A117.1 (ADA)