



**T&S BRASS AND BRONZE WORKS, INC.**  
 2 Saddleback Cove / P.O. Box 1088  
 Travelers Rest, SC 29690

Model No.  
**B-1110-LN-WH4**

Item No.

Travelers Rest, SC: 800-476-4103 • Simi Valley, CA: 800-423-0150 • Fax: 864-834-3518 • www.tsbrass.com



**ADA Compliant**

This Space for Architect/Engineer Approval

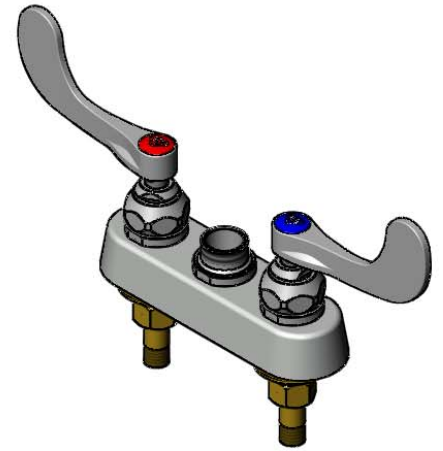
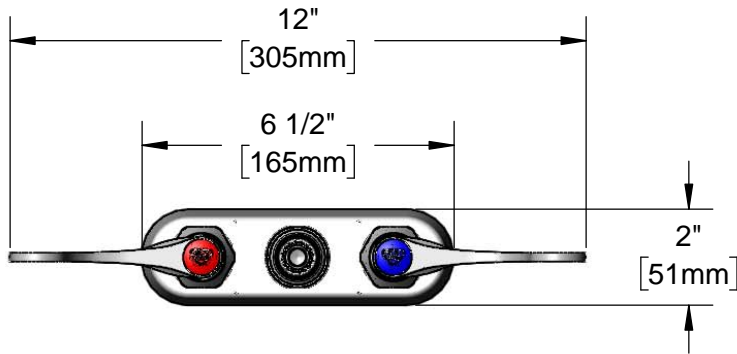
Job Name \_\_\_\_\_ Date \_\_\_\_\_

Model Specified \_\_\_\_\_ Quantity \_\_\_\_\_

Customer/Wholesaler \_\_\_\_\_

Contractor \_\_\_\_\_

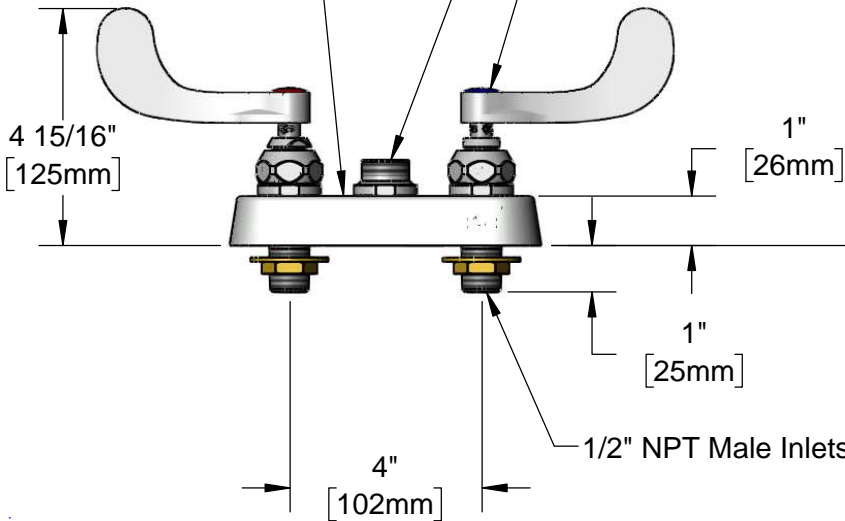
Architect/Engineer \_\_\_\_\_



Swivel Outlet Accepts Standard T&S Swing Nozzles. Convert to Rigid w/ 014200-45 Lock Washer (Included)

Polished Chrome Plated Escutcheon

Quarter-Turn Eterna Cartridges w/ Spring Checks & Wrist Action Handles w/ Color Coded Indexes



Mounting Surface

(2) 150A Optional Tailpieces & Nuts For 1/4" NPT Connection (Included)

1/4" [6mm] Maximum Thickness

Rough-In Requirement:  
 (2)  $\phi$  1" [25mm] Mounting Holes

Product Specifications:  
 4" Deck Mount Workboard Faucet, Less Nozzle, Quarter-Turn Eterna Cartridges w/ Spring Checks, 4" Wrist Action Handles & 1/2" NPT Male Inlets

Product Compliance:  
 ASME A112.18.1 / CSA B125.1  
 NSF 61 - Section 9  
 NSF 372 (Low Lead Content)  
 ANSI A117.1 (ADA)



# T&S BRASS AND BRONZE WORKS, INC.

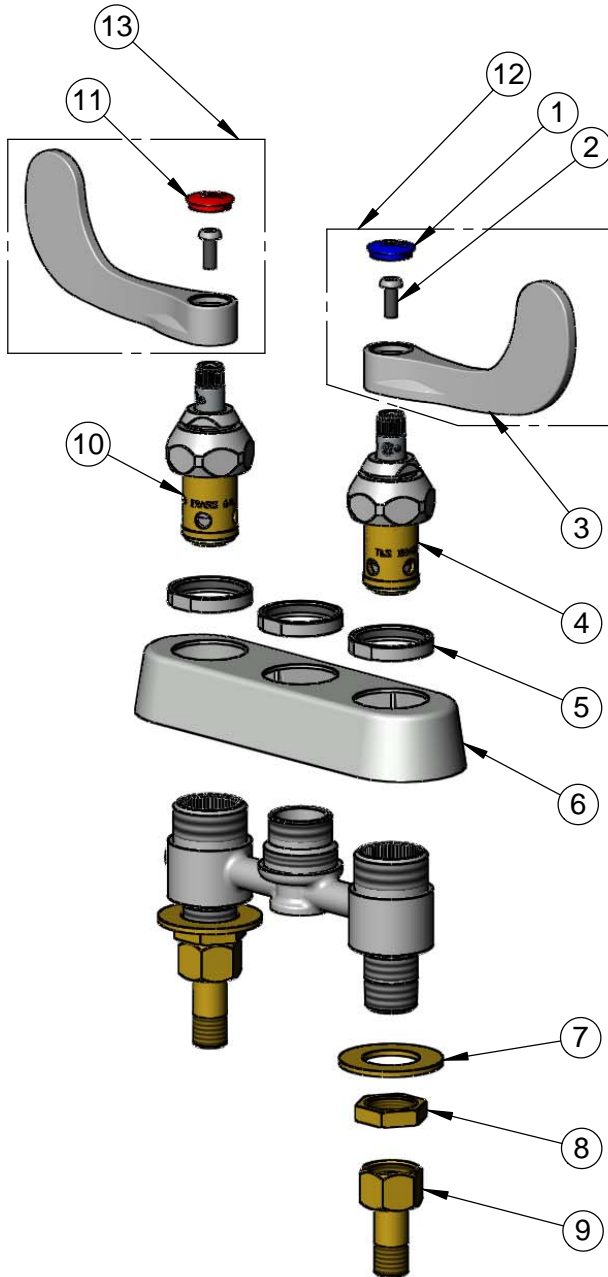
2 Saddleback Cove / P.O. Box 1088  
Travelers Rest, SC 29690

Model No.

**B-1110-LN-WH4**

Item No.

Travelers Rest, SC: 800-476-4103 • Simi Valley, CA: 800-423-0150 • Fax: 864-834-3518 • www.tsbrass.com



ITEM NO.	SALES NO.	DESCRIPTION
1	018506-19NS	Blue Button Index, Press-in
2	000925-45	Lab Handle Screw
3	B-WH4-NS	Wrist Action Handle (New Style)
4	012442-40NS	Quarter-Turn Eterna Cartridge w/ Spring Check, LTC
5	019376-40	Escutcheon Lock Nut
6	019374-40	B-1110 Eterna Workboard Escutcheon
7	000999-45	Brass Lock Washer
8	002954-45	Shank Lock Nut
9	150A	1/4" NPT Tailpiece & Nut
10	012443-40NS	Quarter-Turn Eterna Cartridge w/ Spring Check, RTC
11	001193-19NS	Red Button Index, Press-in
12	B-WH4C-NS	Wrist Action Handle, Blue Index & Screw
13	B-WH4H-NS	Wrist Action Handle, Red Index & Screw



**014200-45**  
Lock Washer  
Converts Swivel to Rigid

**Product Specifications:**

4" Deck Mount Workboard Faucet, Less Nozzle, Quarter-Turn Eterna Cartridges w/ Spring Checks, 4" Wrist Action Handles & 1/2" NPT Male Inlets

**Product Compliance:**

ASME A112.18.1 / CSA B125.1  
NSF 61 - Section 9  
NSF 372 (Low Lead Content)  
ANSI A117.1 (ADA)