



T&S BRASS AND BRONZE WORKS, INC.

2 SADDLEBACK COVE / P.O. BOX 1088 / TRAVELERS REST, SC 29690

PHONE 800-476-4103

FAX 864-834-3518

Model No.

B-1060

Item No.:

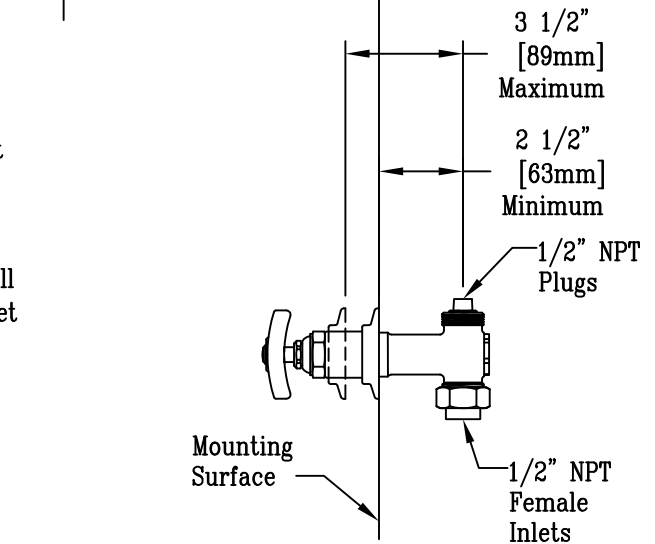
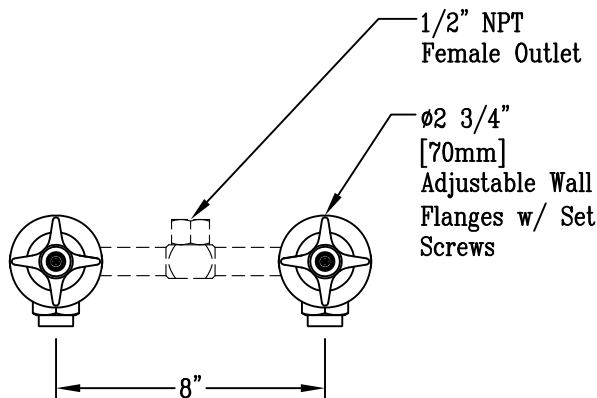
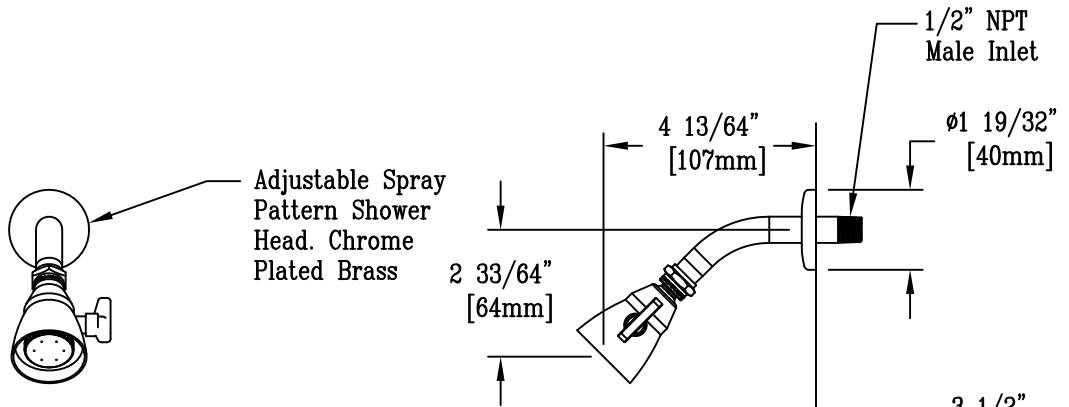
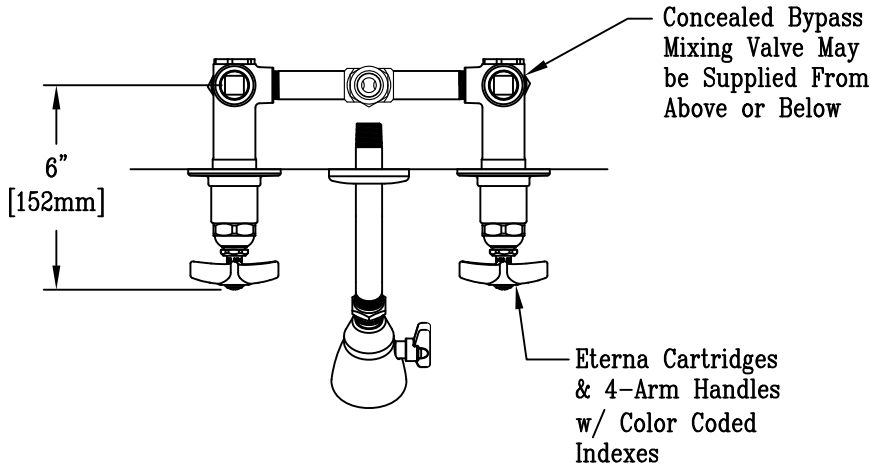
Job Name:

Architect/Engineer Approval:

Notes:



ADA COMPLIANT



Rough-In Requirement:

(2) 1 1/2" [38mm] Mounting Holes

Product Description:

8" Concealed Bypass Mixing Valve, Eterna Cartridges, 4-Arm Handles, Adjustable Shower Head, 1/2" NPT Female Inlets & Outlet

Drawn:

KJG

Checked:

DMH

Scale:

1 : 6

Approved:

JHB

Date:

03/17/14