



**T&S BRASS AND BRONZE WORKS, INC.**  
 2 Saddleback Cove / P.O. Box 1088  
 Travelers Rest, SC 29690

Model No.  
**B-1029-1**

Item No.

Travelers Rest, SC: 800-476-4103 • Simi Valley, CA: 800-423-0150 • Fax: 864-834-3518 • www.tsbrass.com

1 1/8"  
 [29mm]



**ADA Compliant**

This Space for Architect/Engineer Approval

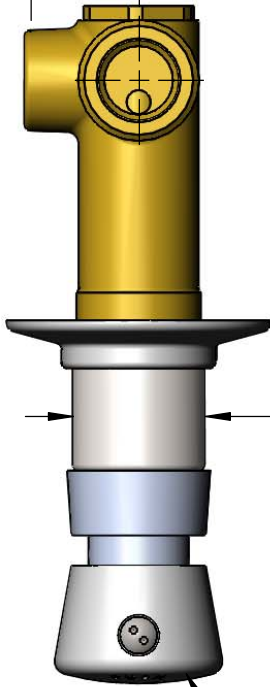
Job Name \_\_\_\_\_ Date \_\_\_\_\_

Model Specified \_\_\_\_\_ Quantity \_\_\_\_\_

Customer/Wholesaler \_\_\_\_\_

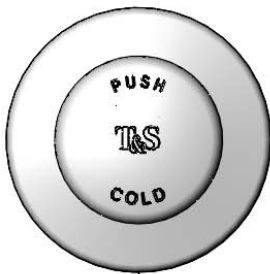
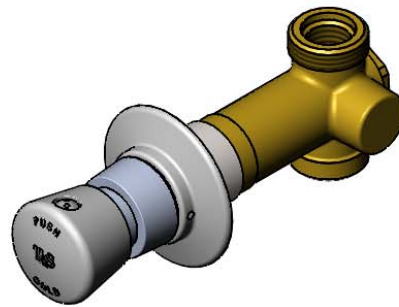
Contractor \_\_\_\_\_

Architect/Engineer \_\_\_\_\_



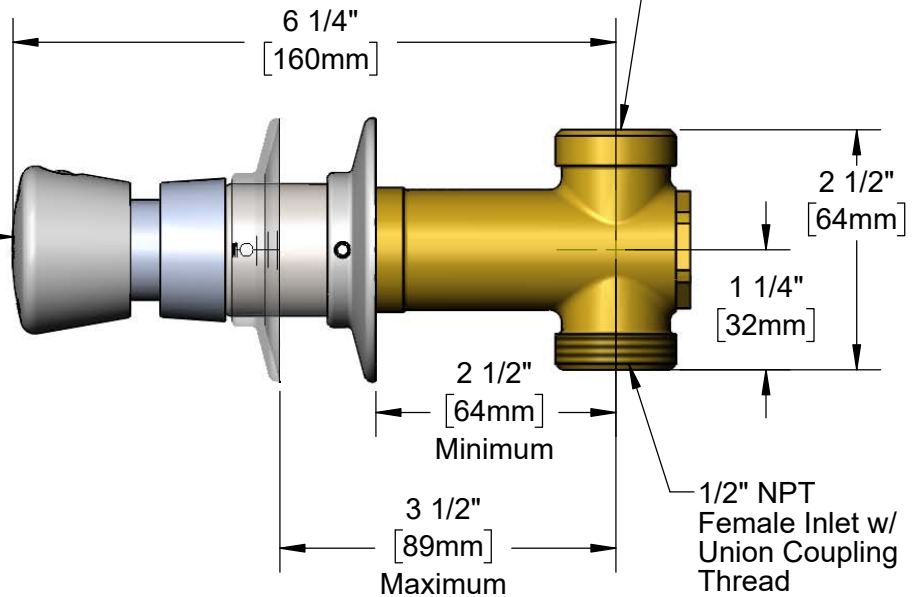
Ø 1 3/8"  
 [35mm]

Adjustable Flow, Vandal Resistant Push Button Metering Cartridge



Ø 2 3/4" [70mm]  
 Adjustable Flange w/ Set Screw

Cold Push Button



Rough-In Requirement:  
 Ø 1 1/2" [38mm] Mounting Hole

**Product Specifications:**

Concealed Straight Slow Self-Closing Valve w/ Adjustable Timed Flow, Vandal Resistant Design, Cold Push Button, 1/2" NPT Female Outlet and 1/2" NPT Female Inlet w/ Union Coupling Thread

**Product Compliance:**

ASME A112.18.1 / CSA B125.1  
 NSF 61 - Section 9  
 NSF 372 (Low Lead Content)  
 ANSI A117.1 (ADA)



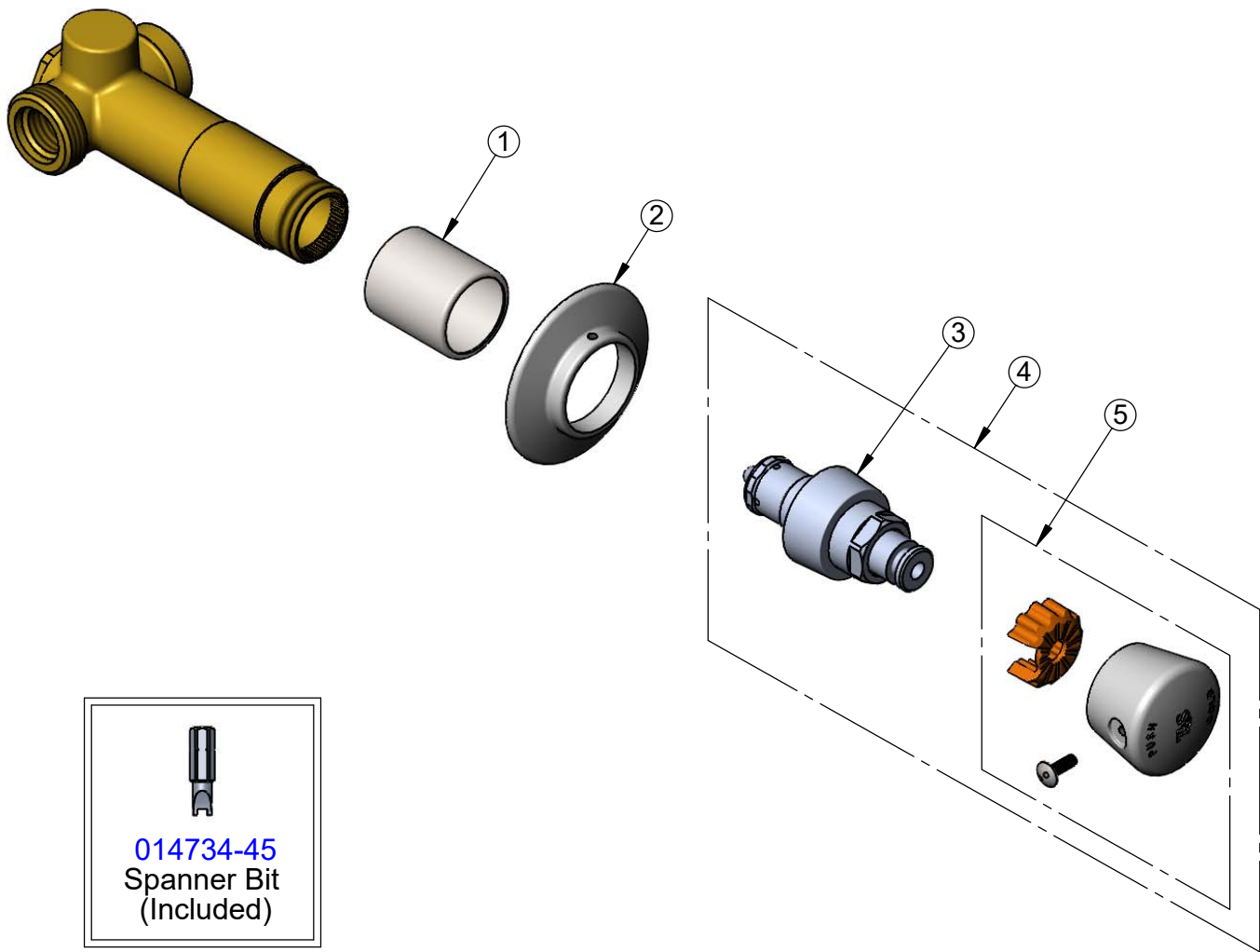
**T&S BRASS AND BRONZE WORKS, INC.**  
 2 Saddleback Cove / P.O. Box 1088  
 Travelers Rest, SC 29690

Model No.  
**B-1029-1**

Item No.

Travelers Rest, SC: 800-476-4103 • Simi Valley, CA: 800-423-0150 • Fax: 864-834-3518 • www.tsbrass.com

ITEM NO.	SALES NO.	DESCRIPTION
1	151F	Escutcheon Tube
2	001501-40	Escutcheon
3	238A	Push Button Metering Cartridge
4	238AC	Metering Cartridge w/ Cold Push Button
5	014195-40	Cold Push Button Assembly



**Product Specifications:**  
 Concealed Straight Slow Self-Closing Valve w/ Adjustable Timed Flow, Vandal Resistant Design, Cold Push Button, 1/2" NPT Female Outlet and 1/2" NPT Female Inlet w/ Union Coupling Thread

**Product Compliance:**  
 ASME A112.18.1 / CSA B125.1  
 NSF 61 - Section 9  
 NSF 372 (Low Lead Content)  
 ANSI A117.1 (ADA)