



# T&S BRASS AND BRONZE WORKS, INC.

2 Saddleback Cove / P.O. Box 1088  
Travelers Rest, SC 29690

Model No.

**B-1020-1**

Item No.

Travelers Rest, SC: 800-476-4103 • Simi Valley, CA: 800-423-0150 • Fax: 864-834-3518 • www.tsbrass.com



ADA Compliant

This Space for Architect/Engineer Approval

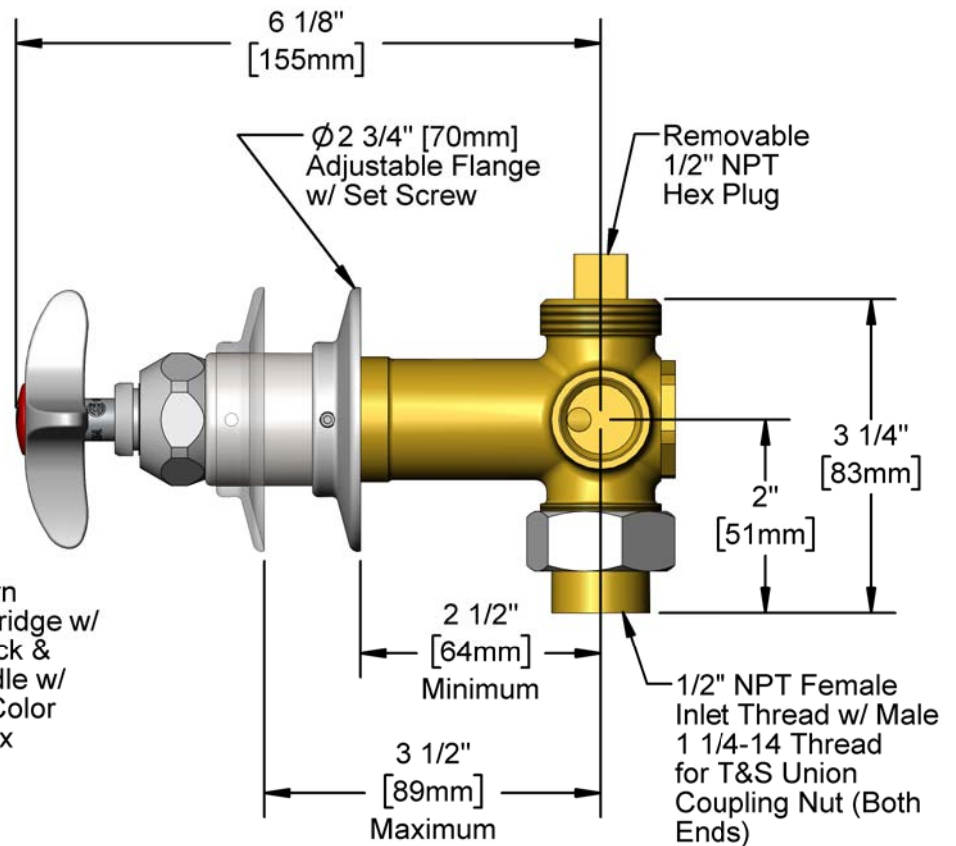
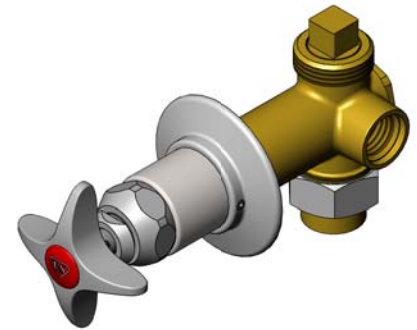
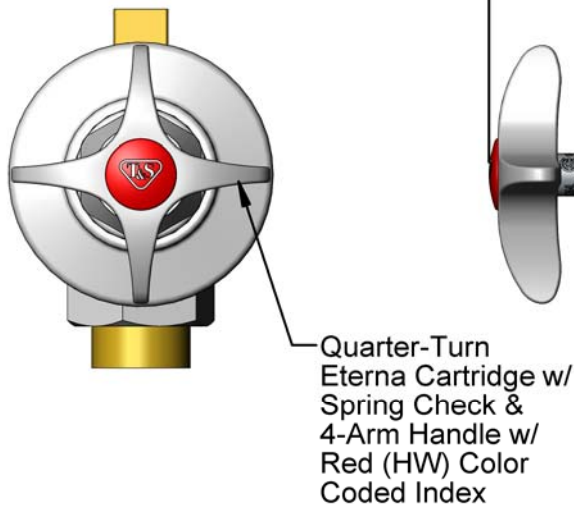
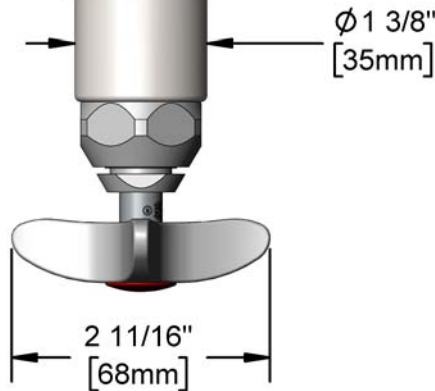
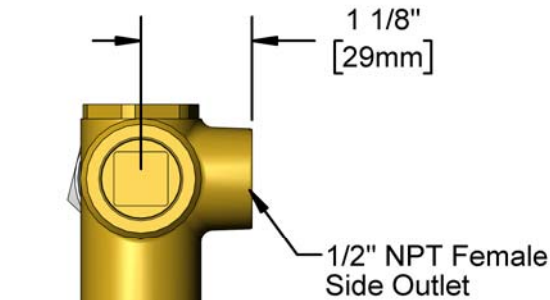
Job Name \_\_\_\_\_ Date \_\_\_\_\_

Model Specified \_\_\_\_\_ Quantity \_\_\_\_\_

Customer/Wholesaler \_\_\_\_\_

Contractor \_\_\_\_\_

Architect/Engineer \_\_\_\_\_



Rough-In Requirement:  
Ø 1 1/2" [38mm] Mounting Hole

**Product Specifications:**

Concealed Bypass Single Valve, Quarter-Turn Eterna Cartridge w/ Spring Check, 4-Arm Handle w/ Red (HW) Color Coded Index & 1/2" NPT Inlet & 1/2" NPT Side Outlet

**Product Compliance:**

ASME A112.18.1 / CSA B125.1  
NSF 61 - Section 9  
NSF 372 (Low Lead Content)  
ANSI A117.1 (ADA)



# T&S BRASS AND BRONZE WORKS, INC.

2 Saddleback Cove / P.O. Box 1088  
Travelers Rest, SC 29690

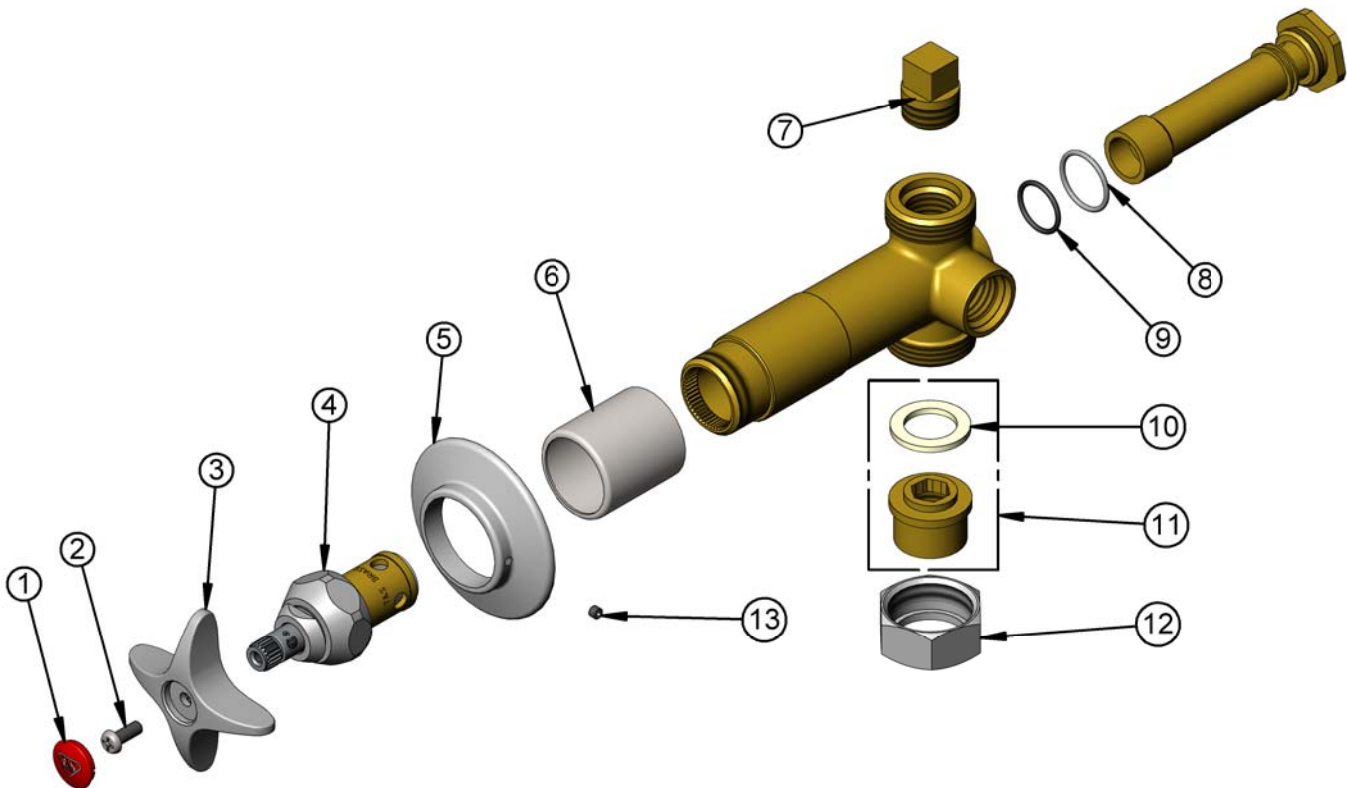
Model No.

**B-1020-1**

Item No.

Travelers Rest, SC: 800-476-4103 • Simi Valley, CA: 800-423-0150 • Fax: 864-834-3518 • www.tsbrass.com

ITEM NO.	SALES NO.	DESCRIPTION
1	001193-19NS	Red Button Index, Press-in
2	000925-45	Lab Handle Screw
3	002521-45NS	4-Arm Handle (New Style)
4	012443-40NS	Quarter-Turn Eterna Cartridge w/ Spring Check, RTC
5	001501-40	Escutcheon
6	151F	Escutcheon Tube
7	001347-20	1/2" NPT Square Head Plug
8	001702-45	O-Ring
9	001062-45	O-Ring
10	001019-45	Coupling Nut Washer
11	153F	Union Half, 1/2 NPT w/ Washer
12	000721-25	Flange Coupling Nut
13	000939-45	Escutcheon, Set Screw



**Product Specifications:**

Concealed Bypass Single Valve, Quarter-Turn Eterna Cartridge w/ Spring Check, 4-Arm Handle w/ Red (HW) Color Coded Index & 1/2" NPT Inlet & 1/2" NPT Side Outlet

**Product Compliance:**

ASME A112.18.1 / CSA B125.1  
NSF 61 - Section 9  
NSF 372 (Low Lead Content)  
ANSI A117.1 (ADA)