



T&S BRASS AND BRONZE WORKS, INC.
 2 Saddleback Cove / P.O. Box 1088
 Travelers Rest, SC 29690

Model No.

B-0970-FEZ

Item No.

Travelers Rest, SC: 800-476-4103 • Simi Valley, CA: 800-423-0150 • Fax: 864-834-3518 • www.tsbrass.com

This Space for Architect/Engineer Approval

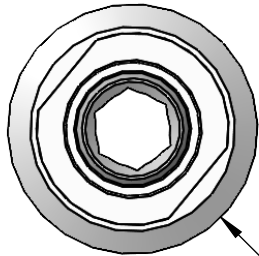
Job Name _____ Date _____

Model Specified _____ Quantity _____

Customer/Wholesaler _____

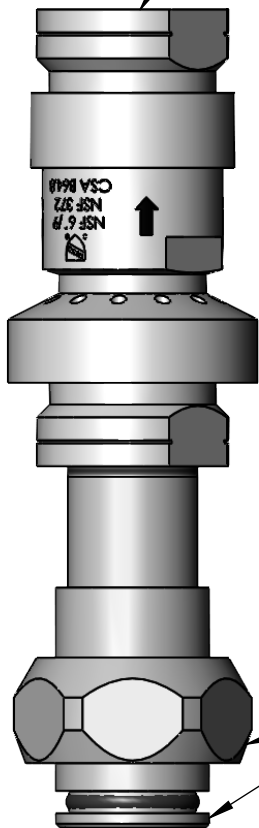
Contractor _____

Architect/Engineer _____



Ø 1 5/16"
[33mm]

3/8" NPT
Female Outlet

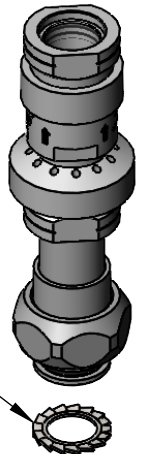


B-0970-FE
Continuous Pressure
Dual Check
Vacuum Breaker

3/8" NPT x 2" Riser

EasyInstall
Bushing & Nut
Fits Standard
T&S Swivel Base
Faucets

Rigid Conversion
Requires **014200-45**
Lock Washer
(Included)



4 1/4"
[108mm]

Product Specifications:
 3/8" Continuous Pressure Dual Check Vacuum Breaker Fitted w/
 EasyInstall Mechanism

Product Compliance:
 ASME A112.18.1 / CSA B125.1
 NSF 61 - Section 9
 NSF 372 (Low Lead Content)
 CSA B64.8 (VB)



T&S BRASS AND BRONZE WORKS, INC.

2 Saddleback Cove / P.O. Box 1088
Travelers Rest, SC 29690

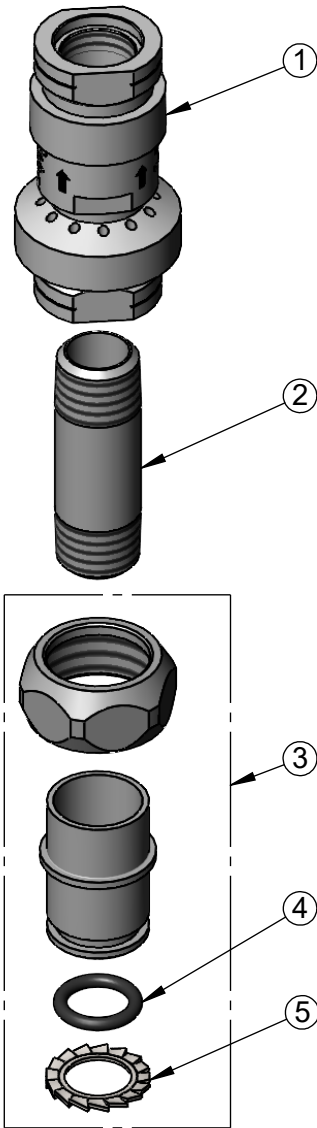
Model No.

B-0970-FEZ

Item No.

Travelers Rest, SC: 800-476-4103 • Simi Valley, CA: 800-423-0150 • Fax: 864-834-3518 • www.tsbrass.com

ITEM NO.	SALES NO.	DESCRIPTION
1	B-0970-FE	3/8" NPT Vacuum Breaker
2	000357-40	Nipple, 3/8" NPT x 2"
3	EZ-K	EasyInstall Kit: Nut, Bushing, O-ring & Lock Washer
4	001065-45	O-Ring
5	014200-45	Star Washer, Anti-Rotation



Product Specifications:
3/8" Continuous Pressure Dual Check Vacuum Breaker Fitted w/ EasyInstall Mechanism

Product Compliance:
ASME A112.18.1 / CSA B125.1
NSF 61 - Section 9
NSF 372 (Low Lead Content)
CSA B64.8 (VB)