



# T&S BRASS AND BRONZE WORKS, INC.

2 Saddleback Cove / P.O. Box 1088  
Travelers Rest, SC 29690

Model No.

**B-0892-WA**

Item No.

Travelers Rest, SC: 800-476-4103 • Simi Valley, CA: 800-423-0150 • Fax: 864-834-3518 • www.tsbrass.com



**ADA Compliant**

This Space for Architect/Engineer Approval

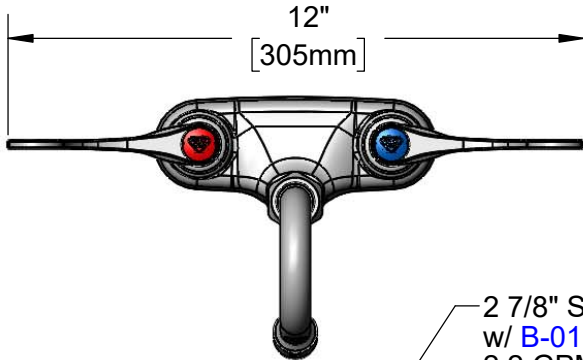
Job Name \_\_\_\_\_ Date \_\_\_\_\_

Model Specified \_\_\_\_\_ Quantity \_\_\_\_\_

Customer/Wholesaler \_\_\_\_\_

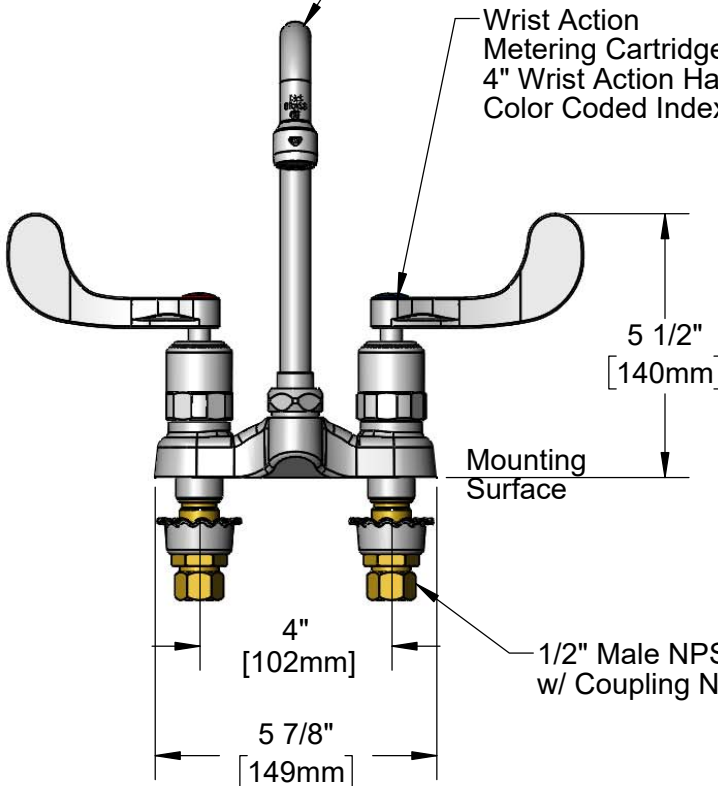
Contractor \_\_\_\_\_

Architect/Engineer \_\_\_\_\_



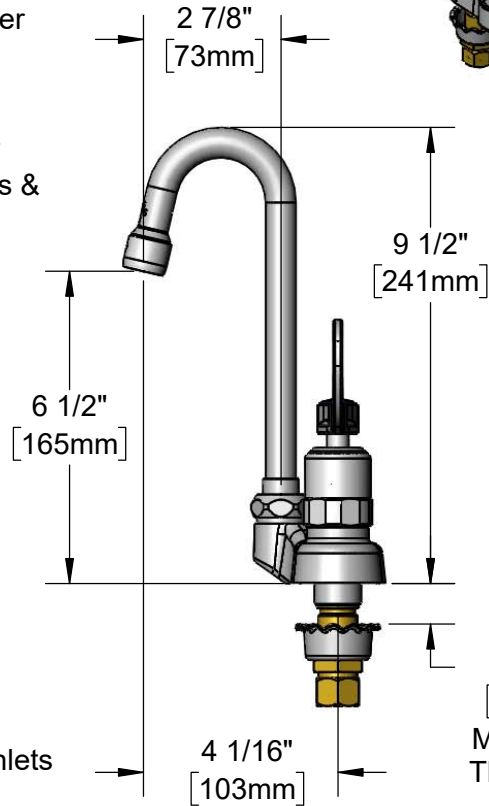
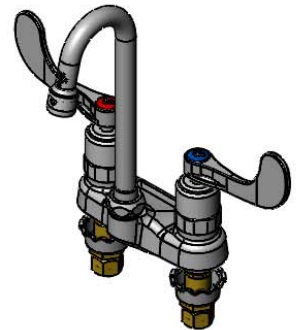
2 7/8" Swivel Gooseneck  
w/ B-0199-01  
2.2 GPM Aerator.  
Converts to Rigid w/  
014200-45 Lock Washer  
(Included)

Wrist Action  
Metering Cartridges w/  
4" Wrist Action Handles &  
Color Coded Indexes



Mounting  
Surface

1/2" Male NPSM Inlets  
w/ Coupling Nuts



Rough-In Requirement:  
(2)  $\phi$  1 1/8" [29mm] Mounting Holes

Product Specifications:  
4" Centerset Deck Mount Mixing Faucet, Wrist Action Metering Cartridges,  
4" Wrist Action Handles, 2 7/8" Swivel Gooseneck, 2.2 GPM Aerator & 1/2"  
NPSM Male Inlets

Product Compliance:  
ASME A112.18.1 / CSA B125.1  
NSF 61 - Section 9  
NSF 372 (Low Lead Content)  
ANSI A117.1 (ADA)



# T&S BRASS AND BRONZE WORKS, INC.

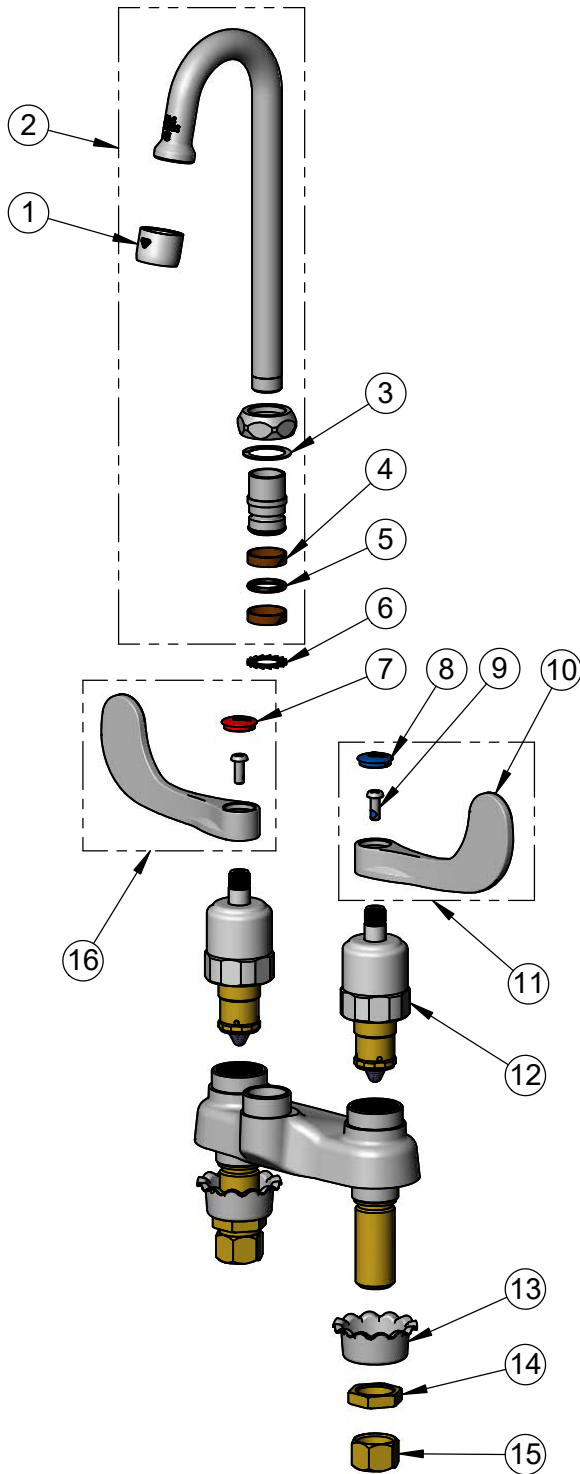
2 Saddleback Cove / P.O. Box 1088  
Travelers Rest, SC 29690

Model No.

**B-0892-WA**

Item No.

Travelers Rest, SC: 800-476-4103 • Simi Valley, CA: 800-423-0150 • Fax: 864-834-3518 • www.tsbrass.com



ITEM NO.	SALES NO.	DESCRIPTION
1	B-0199-01	2.2 GPM Aerator, 55/64-27 UN Female
2	132X-A22	2 7/8" Swivel Gooseneck w/ 2.2 GPM Aerator
3	009538-45	Swivel Washer
4	011429-45	Swivel Sleeves (2)
5	001074-45	O-Ring
6	014200-45	Star Washer, Anti-Rotation
7	001193-19NS	Red Button Index, Press-in
8	018506-19NS	Blue Button Index, Press-in
9	000925-45	Lab Handle Screw
10	B-WH4-NS	Wrist Action Handle - New Style
11	B-WH4C-NS	Wrist Action Handle, Blue Index & Screw
12	012449-40	Wrist Action Metering Cartridge
13	001000-45	Rosette Washer
14	002954-45	Shank Lock Nut
15	000958-20	Coupling Nut
16	B-WH4H-NS	Wrist Action Handle, Red Index & Screw

**Product Specifications:**

4" Centerset Deck Mount Mixing Faucet, Wrist Action Metering Cartridges, 4" Wrist Action Handles, 2 7/8" Swivel Gooseneck, 2.2 GPM Aerator & 1/2" NPSM Male Inlets

**Product Compliance:**

ASME A112.18.1 / CSA B125.1  
NSF 61 - Section 9  
NSF 372 (Low Lead Content)  
ANSI A117.1 (ADA)