



# T&S BRASS AND BRONZE WORKS, INC.

2 Saddleback Cove / P.O. Box 1088  
Travelers Rest, SC 29690

Model No.

**B-0892-VRS**

Item No.

Travelers Rest, SC: 800-476-4103 • Simi Valley, CA: 800-423-0150 • Fax: 864-834-3518 • www.tsbrass.com



**ADA Compliant**

This Space for Architect/Engineer Approval

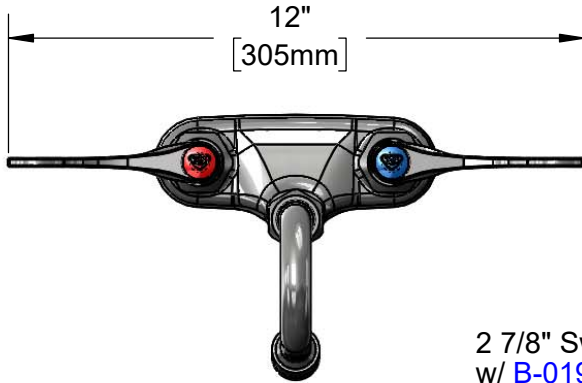
Job Name \_\_\_\_\_ Date \_\_\_\_\_

Model Specified \_\_\_\_\_ Quantity \_\_\_\_\_

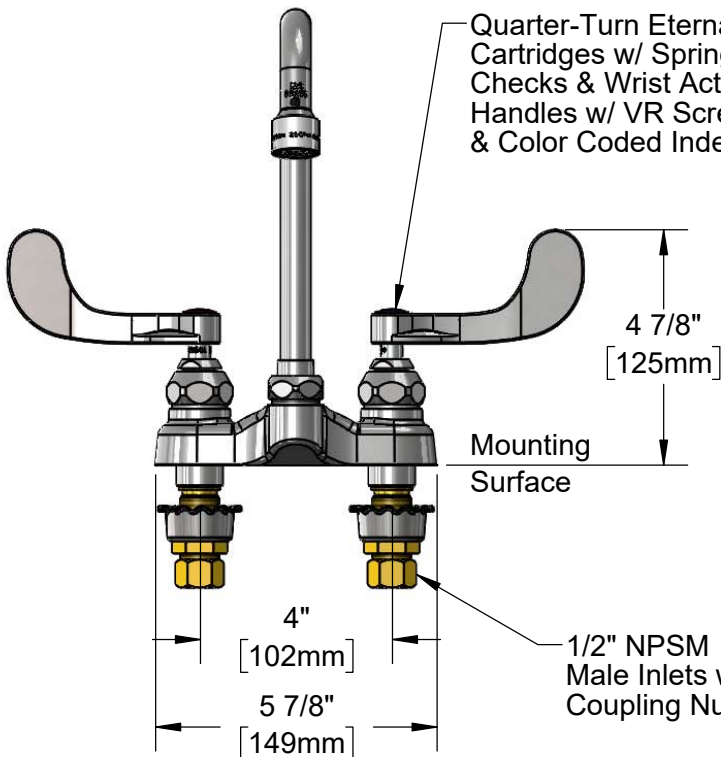
Customer/Wholesaler \_\_\_\_\_

Contractor \_\_\_\_\_

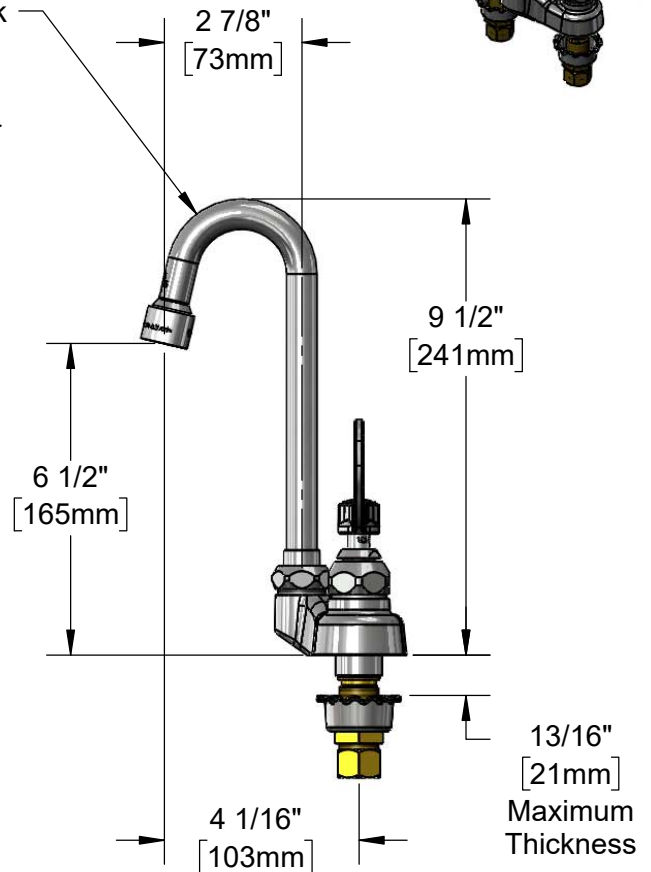
Architect/Engineer \_\_\_\_\_



2 7/8" Swivel Gooseneck w/ B-0199-06  
2.2 GPM VR Aerator.  
Converts to Rigid w/  
014200-45 Lock Washer  
(Included)



Quarter-Turn Eterna Cartridges w/ Spring Checks & Wrist Action Handles w/ VR Screws & Color Coded Indexes



Rough-In Requirement:  
(2)  $\phi$  1 1/8" [26mm] Mounting Holes

### Product Specifications:

4" Centerset Deck Mount Mixing Faucet, Quarter-Turn Eterna Cartridges w/ Spring Checks, 4" Wrist Action Handles w/ VR Screws, 2 7/8" Swivel Gooseneck, 2.2 GPM VR Aerator & 1/2" NPSM Male Inlets

### Product Compliance:

ASME A112.18.1 / CSA B125.1  
NSF 61 - Section 9  
NSF 372 (Low Lead Content)  
ANSI A117.1 (ADA)



# T&S BRASS AND BRONZE WORKS, INC.

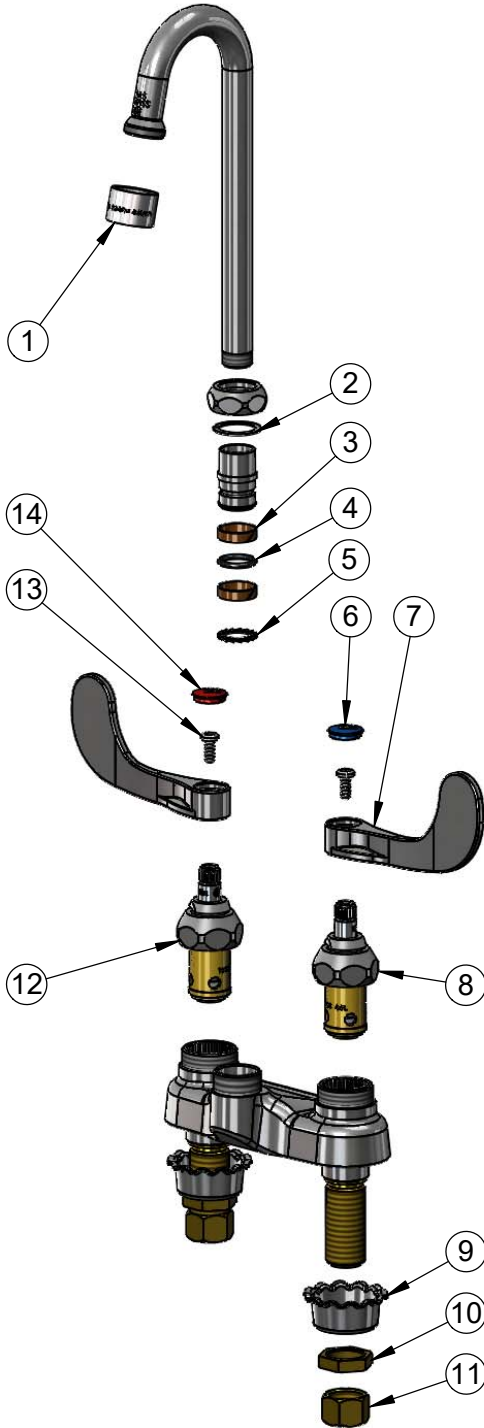
2 Saddleback Cove / P.O. Box 1088  
Travelers Rest, SC 29690

Model No.

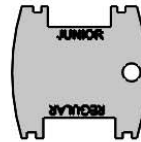
**B-0892-VRS**

Item No.

Travelers Rest, SC: 800-476-4103 • Simi Valley, CA: 800-423-0150 • Fax: 864-834-3518 • www.tsbrass.com



ITEM NO.	SALES NO.	DESCRIPTION
1	<a href="#">B-0199-06</a>	VR 2.2 GPM Aerator, 55/64-27 UN Female w/ Key
2	<a href="#">009538-45</a>	Swivel Washer
3	<a href="#">011429-45</a>	Swivel Sleeves (2)
4	<a href="#">001074-45</a>	O-Ring
5	<a href="#">014200-45</a>	Star Washer, Anti-Rotation
6	<a href="#">018506-19NS</a>	Blue Button Index, Press-in
7	<a href="#">B-WH4-NS</a>	Wrist Action Handle (New Style)
8	<a href="#">012442-40NS</a>	Quarter-Turn Eterna Cartridge w/ Spring Check, LTC
9	<a href="#">001000-45</a>	Rosette Washer
10	<a href="#">002954-45</a>	Shank Lock Nut
11	<a href="#">000958-20</a>	Coupling Nut
12	<a href="#">012443-40NS</a>	Quarter-Turn Eterna Cartridge w/ Spring Check, RTC
13	<a href="#">VRS-2</a>	VR Wrist Action Handle Screw (2) w/ Spanner Bit
14	<a href="#">001193-19NS</a>	Red Button Index, Press-in



[015425-45](#)  
VR Aerator Key



[014075-45](#)  
#10 Spanner Bit

**Product Specifications:**

4" Centerset Deck Mount Mixing Faucet, Quarter-Turn Eterna Cartridges w/ Spring Checks, 4" Wrist Action Handles w/ VR Screws, 2 7/8" Swivel Gooseneck, 2.2 GPM VR Aerator & 1/2" NPSM Male Inlets

**Product Compliance:**

ASME A112.18.1 / CSA B125.1  
NSF 61 - Section 9  
NSF 372 (Low Lead Content)  
ANSI A117.1 (ADA)