



T&S BRASS AND BRONZE WORKS, INC.

2 Saddleback Cove / P.O. Box 1088
Travelers Rest, SC 29690

Model No.

B-0892-VF22

Item No.

Travelers Rest, SC: 800-476-4103 • Simi Valley, CA: 800-423-0150 • Fax: 864-834-3518 • www.tsbrass.com



ADA Compliant

This Space for Architect/Engineer Approval

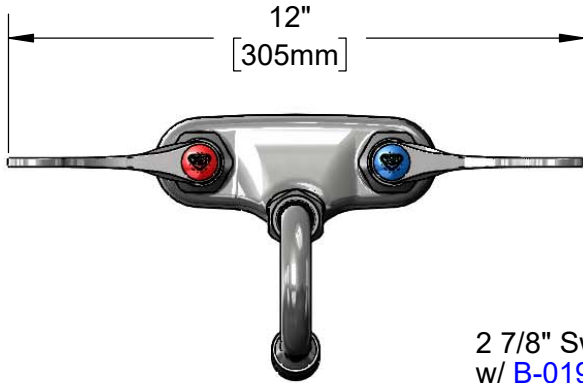
Job Name _____ Date _____

Model Specified _____ Quantity _____

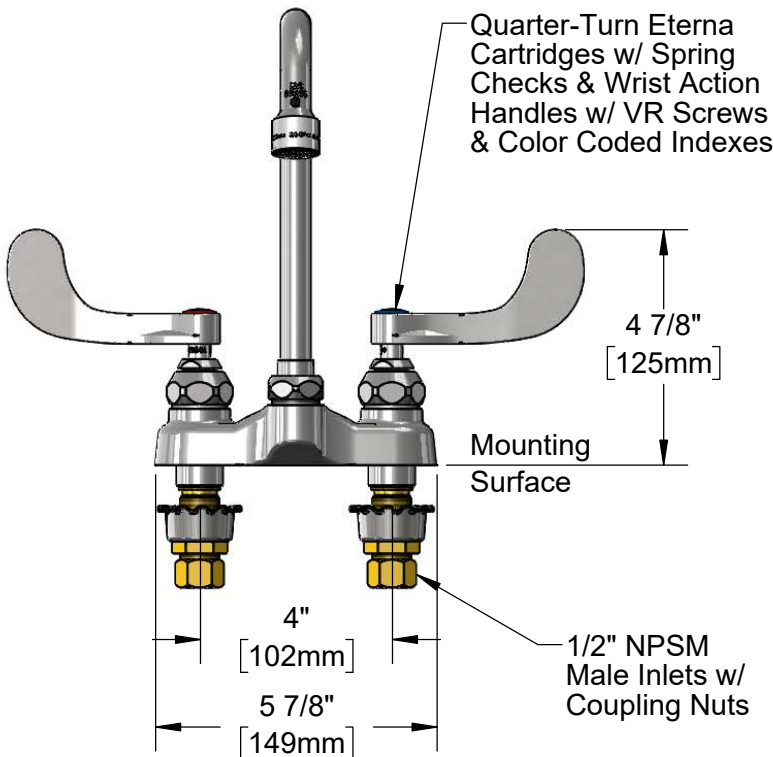
Customer/Wholesaler _____

Contractor _____

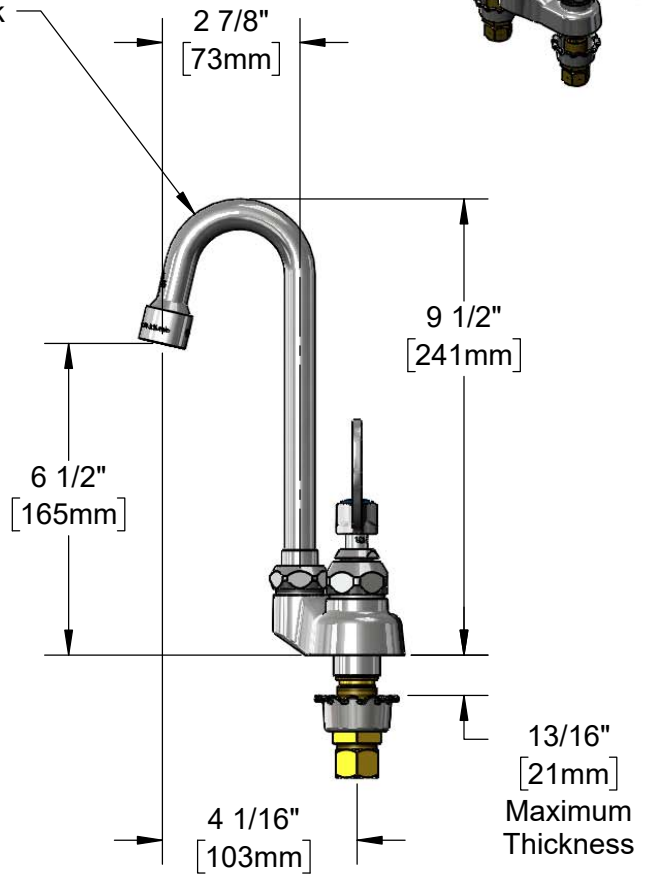
Architect/Engineer _____



2 7/8" Swivel Gooseneck
w/ B-0199-06
2.2 GPM VR Aerator.
Converts to Rigid w/
014200-45 Lock Washer
(Included)



Quarter-Turn Eterna
Cartridges w/ Spring
Checks & Wrist Action
Handles w/ VR Screws
& Color Coded Indexes



Rough-In Requirement:
(2) ϕ 1 1/8" [26mm] Mounting Holes

Product Specifications:

4" Centerset Deck Mount Mixing Faucet, Quarter-Turn Eterna Cartridges w/ Spring Checks, 4" Wrist Action Handles w/ VR Screws, 2 7/8" Swivel Gooseneck, 2.2 GPM VR Aerator & 1/2" NPSM Male Inlets

Product Compliance:

ASME A112.18.1 / CSA B125.1
NSF 61 - Section 9
NSF 372 (Low Lead Content)
ANSI A117.1 (ADA)



T&S BRASS AND BRONZE WORKS, INC.

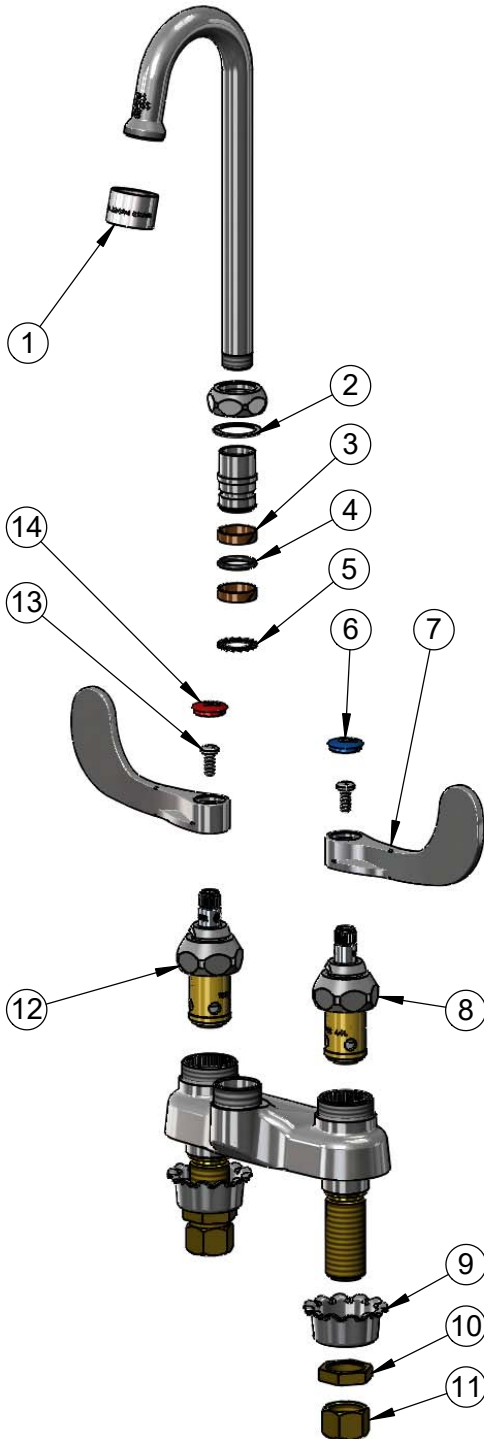
2 Saddleback Cove / P.O. Box 1088
Travelers Rest, SC 29690

Model No.

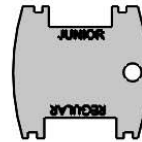
B-0892-VF22

Item No.

Travelers Rest, SC: 800-476-4103 • Simi Valley, CA: 800-423-0150 • Fax: 864-834-3518 • www.tsbrass.com



| ITEM NO. | SALES NO. | DESCRIPTION |
|----------|-----------------------------|--|
| 1 | B-0199-06 | VR 0.5 GPM Non-Aerated Spray Device, 55/64-27 UN Female w/ Key |
| 2 | 009538-45 | Swivel Washer |
| 3 | 011429-45 | Swivel Sleeves (2) |
| 4 | 001074-45 | O-Ring |
| 5 | 014200-45 | Star Washer, Anti-Rotation |
| 6 | 018506-19NS | Blue Button Index, Press-in |
| 7 | B-WH4-NS | Wrist Action Handle (New Style) |
| 8 | 012442-40NS | Quarter-Turn Eterna Cartridge w/ Spring Check, LTC |
| 9 | 001000-45 | Rosette Washer |
| 10 | 002954-45 | Shank Lock Nut |
| 11 | 000958-20 | Coupling Nut |
| 12 | 012443-40NS | Quarter-Turn Eterna Cartridge w/ Spring Check, RTC |
| 13 | VRS-2 | VR Wrist Action Handle Screw (2) w/ Spanner Bit |
| 14 | 001193-19NS | Red Button Index, Press-in |



[015425-45](#)
VR Aerator Key



[014075-45](#)
#10 Spanner Bit

Product Specifications:

4" Centerset Deck Mount Mixing Faucet, Quarter-Turn Eterna Cartridges w/ Spring Checks, 4" Wrist Action Handles w/ VR Screws, 2 7/8" Swivel Gooseneck, 2.2 GPM VR Aerator & 1/2" NPSM Male Inlets

Product Compliance:

ASME A112.18.1 / CSA B125.1
NSF 61 - Section 9
NSF 372 (Low Lead Content)
ANSI A117.1 (ADA)