



# T&S BRASS AND BRONZE WORKS, INC.

2 Saddleback Cove / P.O. Box 1088  
Travelers Rest, SC 29690

Model No.

**B-0892-CR**

Item No.

Travelers Rest, SC: 800-476-4103 • Simi Valley, CA: 800-423-0150 • Fax: 864-834-3518 • www.tsbrass.com



**ADA Compliant**

This Space for Architect/Engineer Approval

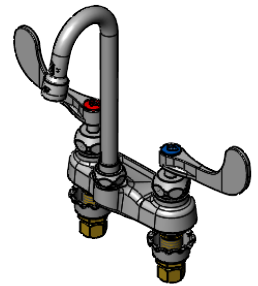
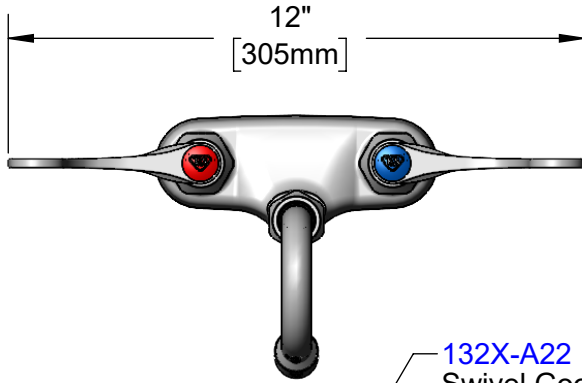
Job Name \_\_\_\_\_ Date \_\_\_\_\_

Model Specified \_\_\_\_\_ Quantity \_\_\_\_\_

Customer/Wholesaler \_\_\_\_\_

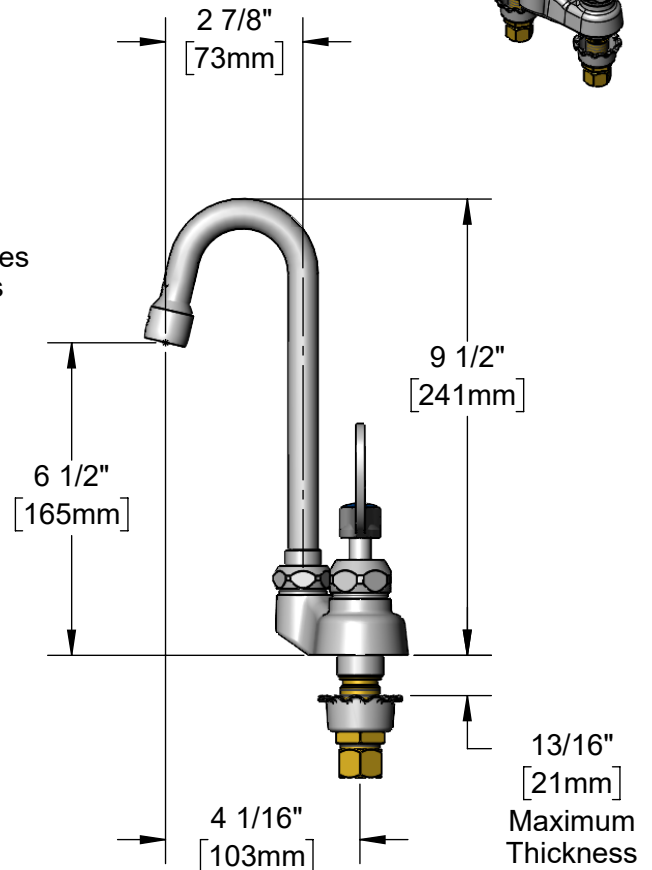
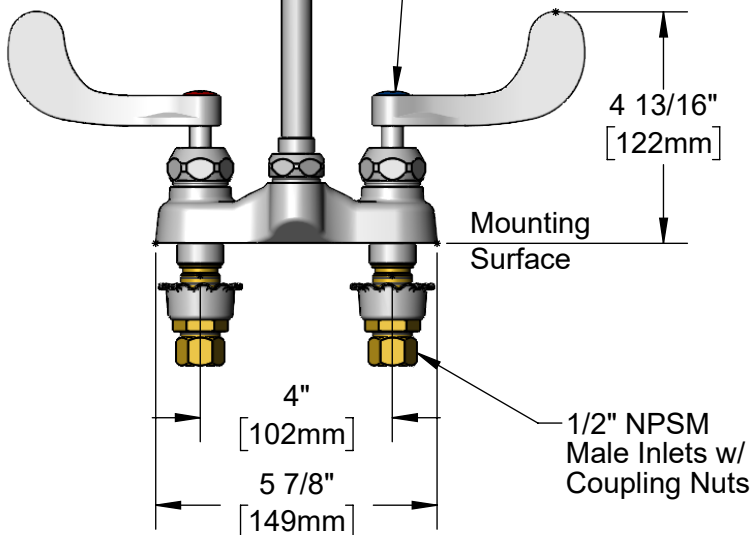
Contractor \_\_\_\_\_

Architect/Engineer \_\_\_\_\_



**132X-A22**  
Swivel Gooseneck  
w/ 2.2 GPM Aerator.  
Converts to Rigid w/  
**014200-45** Lock Washer  
(Included)

Quarter-Turn Cerama  
Cartridges w/ Check Valves  
& 4" Wrist Action Handles  
w/ Color Coded Indexes



**Rough-In Requirement:**  
(2)  $\phi$  1 1/8" [26mm] Mounting Holes

**Product Specifications:**  
4" Centerset Deck Mount Mixing Faucet, Quarter-Turn Cerama Cartridges w/ Check Valves, 4" Wrist Action Handles, 2 7/8" Swivel Gooseneck, 2.2 GPM Aerator & 1/2" NPSM Male Inlets

**Product Compliance:**  
ASME A112.18.1 / CSA B125.1  
NSF 61 - Section 9  
NSF 372 (Low Lead Content)  
ANSI A117.1 (ADA)



# T&S BRASS AND BRONZE WORKS, INC.

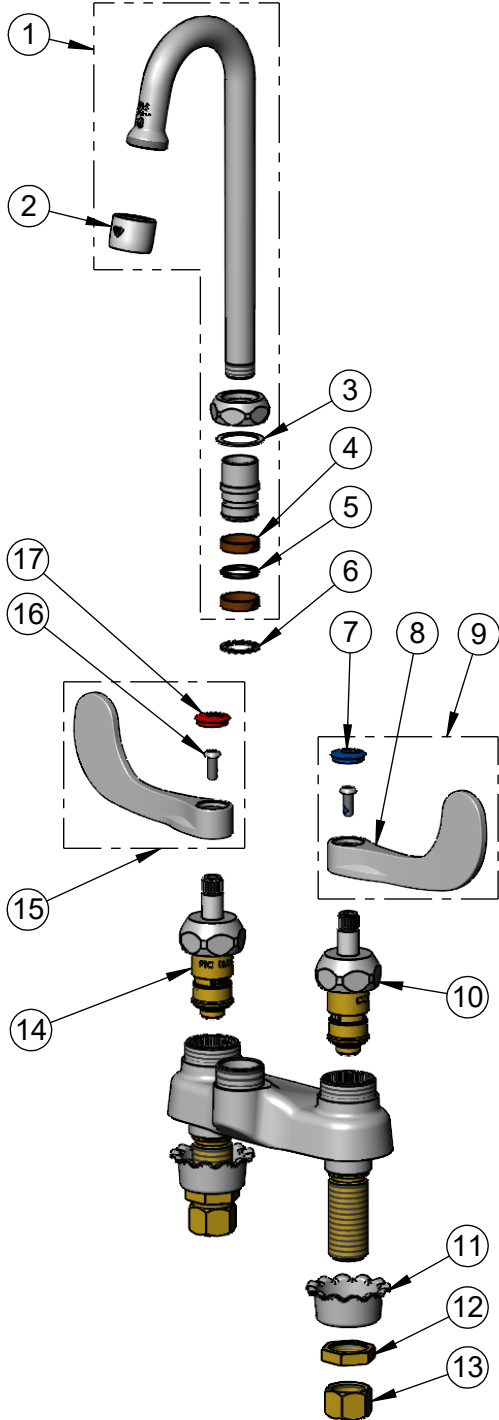
2 Saddleback Cove / P.O. Box 1088  
Travelers Rest, SC 29690

Model No.

**B-0892-CR**

Item No.

Travelers Rest, SC: 800-476-4103 • Simi Valley, CA: 800-423-0150 • Fax: 864-834-3518 • www.tsbrass.com



ITEM NO.	SALES NO.	DESCRIPTION
1	132X-A22	2 7/8" Swivel Gooseneck w/ 2.2 GPM Aerator
2	B-0199-01	2.2 GPM Aerator, 55/64-27 UN Female
3	009538-45	Swivel Washer
4	011429-45	Swivel Sleeves (2)
5	001074-45	O-Ring
6	014200-45	Star Washer, Anti-Rotation
7	018506-19NS	Blue Button Index, Press-in
8	B-WH4-NS	Wrist Action Handle - New Style
9	B-WH4C-NS	Wrist Action Handle, Blue Index & Screw
10	012395-25NS	Quarter-Turn Cerama Cartridge w/ Check Valve, LTC
11	001000-45	Rosette Washer
12	002954-45	Shank Lock Nut
13	000958-20	Coupling Nut
14	012394-25NS	Quarter-Turn Cerama Cartridge w/ Check Valve, RTC
15	B-WH4H-NS	Wrist Action Handle, Red Index & Screw
16	000925-45	Lab Handle Screw
17	001193-19NS	Red Button Index, Press-in

**Product Specifications:**

4" Centerset Deck Mount Mixing Faucet , Quarter-Turn Cerama Cartridges w/ Check Valves, 4" Wrist Action Handles, 2 7/8" Swivel Gooseneck, 2.2 GPM Aerator & 1/2" NPSM Male Inlets

**Product Compliance:**

ASME A112.18.1 / CSA B125.1  
NSF 61 - Section 9  
NSF 372 (Low Lead Content)  
ANSI A117.1 (ADA)