



T&S BRASS AND BRONZE WORKS, INC.

2 Saddleback Cove / P.O. Box 1088
Travelers Rest, SC 29690

Model No.

B-0892-122X-CR

Item No.

Travelers Rest, SC: 800-476-4103 • Simi Valley, CA: 800-423-0150 • Fax: 864-834-3518 • www.tsbrass.com



ADA Compliant

This Space for Architect/Engineer Approval

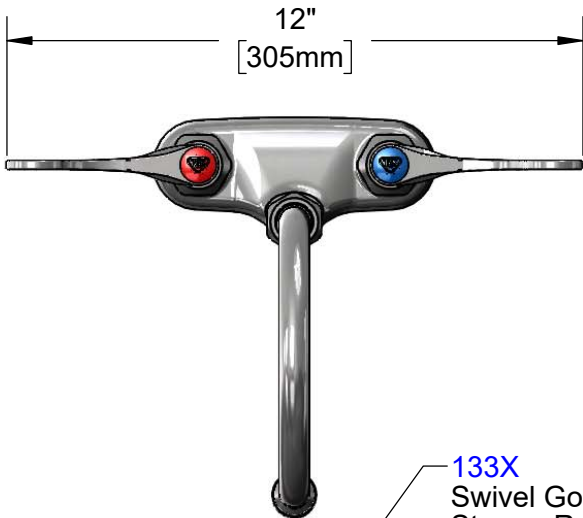
Job Name _____ Date _____

Model Specified _____ Quantity _____

Customer/Wholesaler _____

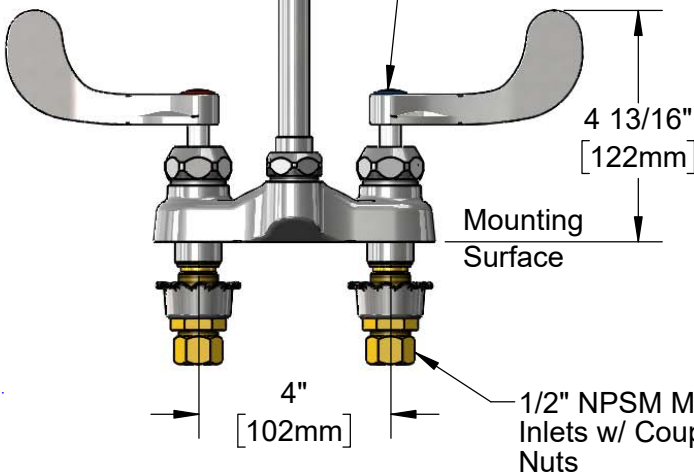
Contractor _____

Architect/Engineer _____



133X
Swivel Goosneck w/
Stream Regulator Outlet.
Converts to Rigid w/
014200-45 Lock Washer
(Included)

Quarter-Turn Cerama
Cartridges w/ Check
Valves & Lever Handles
w/ Color Coded Indexes

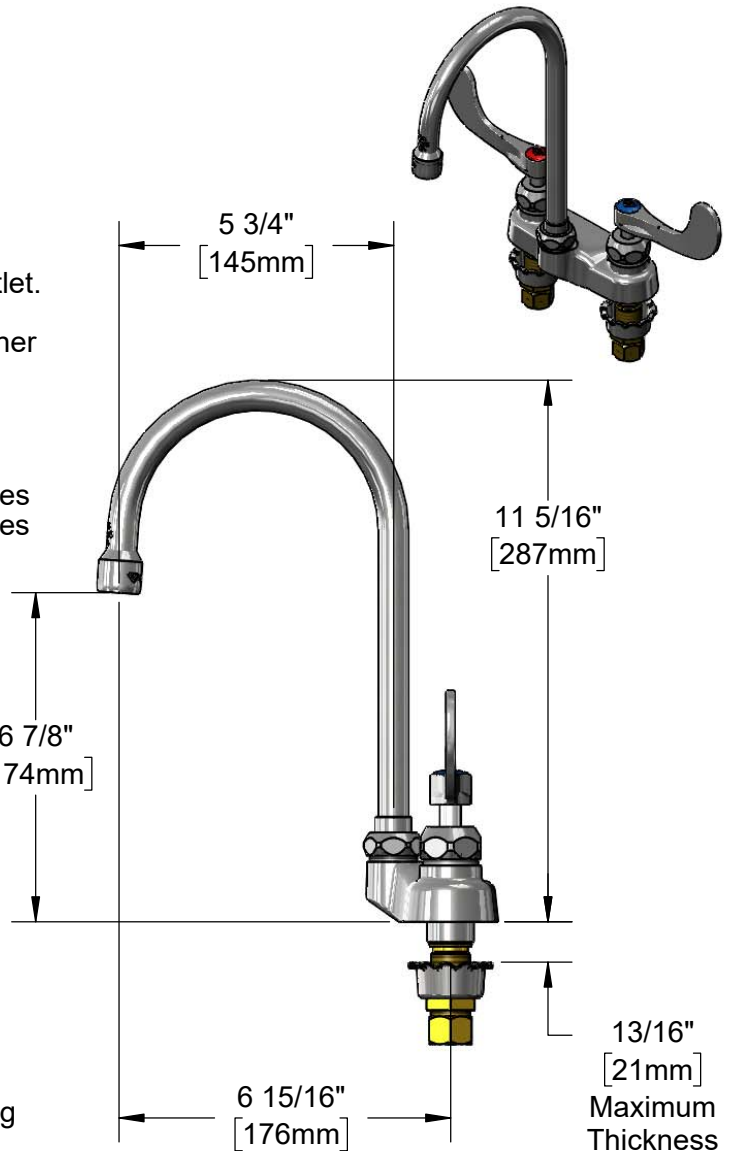


Mounting
Surface

4 13/16"
[122mm]

4"
[102mm]

1/2" NPSM Male
Inlets w/ Coupling
Nuts



5 3/4"
[145mm]

11 5/16"
[287mm]

6 7/8"
[174mm]

6 15/16"
[176mm]

13/16"
[21mm]
Maximum
Thickness

Rough-In Requirement:
(2) ϕ 1 1/8" [29mm] Mounting Holes

Product Specifications:

4" Centerset Deck Mount Mixing Faucet, Quarter-Turn Cerama Cartridges w/ Check Valves, 4" Wrist Action Handles, 5 3/4" Swivel Goosneck, Stream Regulator Outlet & 1/2" NPSM Male Inlets

Product Compliance:

ASME A112.18.1 / CSA B125.1
NSF 61 - Section 9
NSF 372 (Low Lead Content)
ANSI A117.1 (ADA)



T&S BRASS AND BRONZE WORKS, INC.

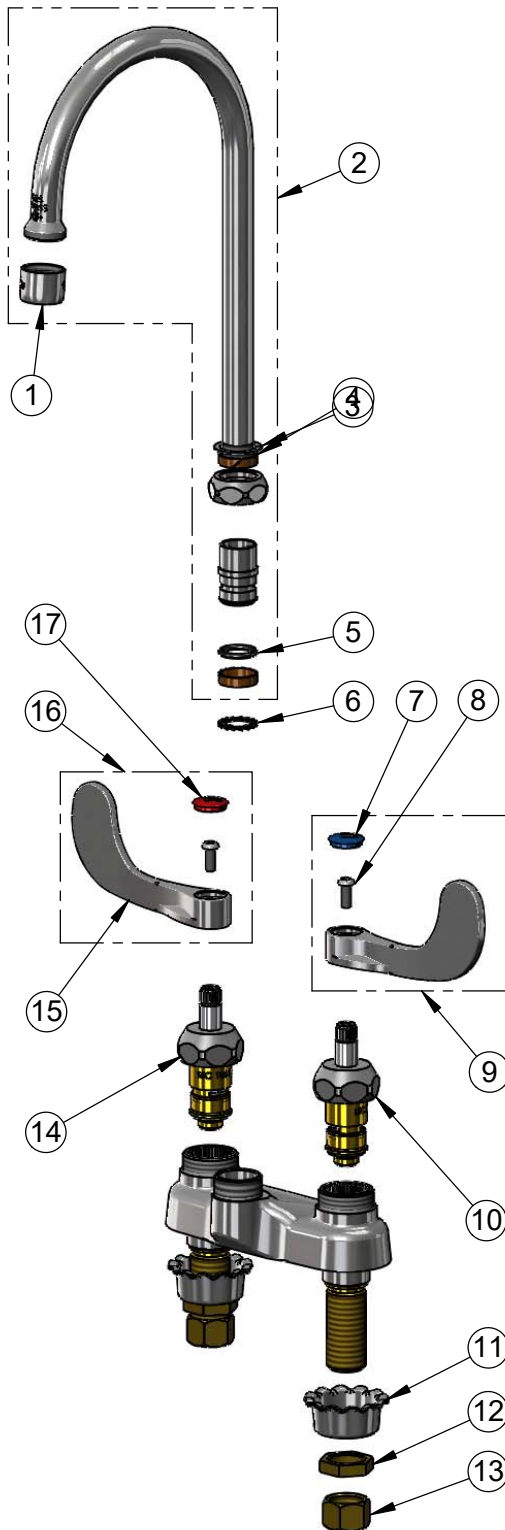
2 Saddleback Cove / P.O. Box 1088
Travelers Rest, SC 29690

Model No.

B-0892-122X-CR

Item No.

Travelers Rest, SC: 800-476-4103 • Simi Valley, CA: 800-423-0150 • Fax: 864-834-3518 • www.tsbrass.com



| ITEM NO. | SALES NO. | DESCRIPTION |
|----------|-------------|--|
| 1 | B-PT | Full Flow Stream Regulator, 55/64-27 |
| 2 | 133X | 5 3/4" Swivel Gooseneck w/ Stream Regulator Outlet |
| 3 | 009538-45 | Swivel Washer |
| 4 | 011429-45 | Swivel Sleeves (2) |
| 5 | 001074-45 | O-Ring |
| 6 | 014200-45 | Star Washer, Anti-Rotation |
| 7 | 018506-19NS | Blue Button Index, Press-in |
| 8 | 000925-45 | Lab Handle Screw |
| 9 | B-WH4C-NS | Wrist Action Handle, Blue Index & Screw |
| 10 | 012395-25NS | Quarter-Turn Cerama Cartridge w/ Check Valve, LTC |
| 11 | 001000-45 | Rosette Washer |
| 12 | 002954-45 | Shank Lock Nut |
| 13 | 000958-20 | Coupling Nut |
| 14 | 012394-25NS | Quarter-Turn Cerama Cartridge w/ Check Valve, RTC |
| 15 | B-WH4-NS | Wrist Action Handle (New Style) |
| 16 | B-WH4H-NS | Wrist Action Handle, Red Index & Screw |
| 17 | 001193-19NS | Red Button Index, Press-in |

Product Specifications:

4" Centerset Deck Mount Mixing Faucet, Quarter-Turn Cerama Cartridges w/ Check Valves, 4" Wrist Action Handles, 5 3/4" Swivel Gooseneck, Stream Regulator Outlet & 1/2" NPSM Male Inlets

Product Compliance:

ASME A112.18.1 / CSA B125.1
NSF 61 - Section 9
NSF 372 (Low Lead Content)
ANSI A117.1 (ADA)